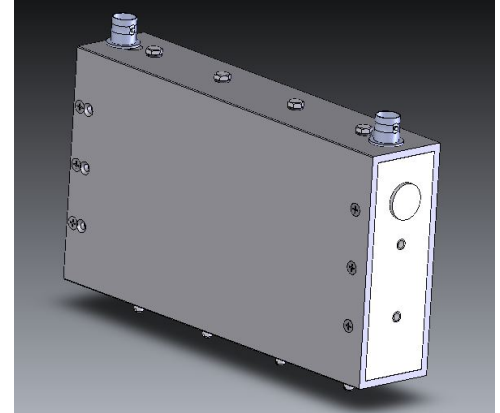


FP40415CL Combine preselector, 5 MHz bandwidth, 896-901 MHz

- 5 MHz bandwidth (1 dB)
- 50 watts power handling
- Compact and can be mounted onto tray



www.sinctech.com

Region	United States	Europe, Middle East and Africa	Caribbean and Latin America	Canada and rest of the world
Telephone	USA: 1 800 263 3275	International: +44 (0) 1487 84 28 19	International: +1 905 726 7676	Canada: 1 800 263 3275 International: +1 905 727 0165
E-mail	salesusa@sinctech.com	salesuk@sinctech.com	salesla@sinctech.com	salescan@sinctech.com
Product Specification Sheet EPR 016288		FP40415CL	Issue: 1	Dated: 30-04-19 Dated: 27-11-90

Electrical Specifications

Frequency Range	MHz	896 to 901
Input Connectors		BNC-Female
Output Connectors		BNC-Female
Input VSWR (max)		1.5:1
Approx Bandwidth @ 50 dB	MHz	42
Bandwidth at specified insertion loss	MHz	5
Pass band Insertion Loss (max)	dB	1
Impedance	Ω	50

Notes

*1 : To mount onto tray

Mechanical Specifications

Width	in (mm)	6.63 (168)
Depth	in (mm)	4.75 (121)
Length/ Height	in (mm)	1.5 (38)
Mounting configurations		Mounting holes provided *1

Environmental Specifications

Temperature range	°F (°C)	-22 to +140 (-30 to +60)
-------------------	---------	--------------------------

www.sinctech.com

Region	United States	Europe, Middle East and Africa	Caribbean and Latin America	Canada and rest of the world
Telephone	USA: 1 800 263 3275	International: +44 (0) 1487 84 28 19	International: +1 905 726 7676	Canada: 1 800 263 3275 International: +1 905 727 0165
E-mail	salesusa@sinctech.com	salesuk@sinctech.com	salesla@sinctech.com	salescan@sinctech.com