

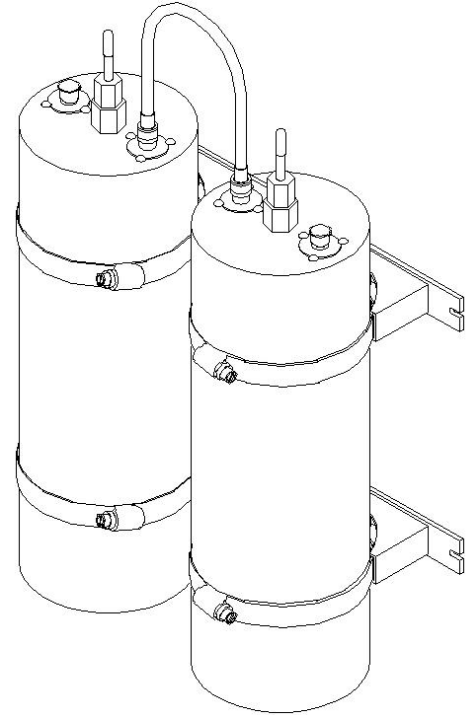
FP40237 High Q, 3/4 Wave Bandpass Cavity, Dual 7" Cavities, 806-960 MHz

- Aluminum cylinder with brass and copper coaxial inner conductor
- Silver plating and chromate conversion coating, limit corrosion and enhance performance
- Temperature compensated for extremely low frequency drift

Sinclair's FP series cavity filters are the building blocks of the finest antenna systems. These filters pass a band of frequencies while attenuating frequencies on either side of the desired frequency band. The insertion loss of the passband may be preset at the factory or adjusted in the field. The amount of attenuation (selectivity) can be increased by increasing the insertion loss or using multiple cavities in series. Filter design must recognize the extremely close tolerances required to assure flawless performance over temperature when small variations in electrical wavelength mean significant changes in frequency response curves.

The FP series band pass filters are designed to:

- Protect one receiver further from front-end overload by carriers of co-located transmitters.
- Suppress IM generation in one transmitter by protecting it further from incoming carriers of co-located transmitters (usually in conjunction with a ferrite isolator).
- Suppress sideband noise of a single transmitter on co-located receiver frequencies.
- Generally, "Protect One from Many."



www.sinctech.com

Region	United States	Europe, Middle East and Africa	Caribbean and Latin America	Canada and rest of the world
Telephone	USA: 1 800 263 3275	International: +44 (0) 1487 84 28 19	International: +1 905 726 7676	Canada: 1 800 263 3275 International: +1 905 727 0165
E-mail	salesusa@sinctech.com	salesuk@sinctech.com	salesla@sinctech.com	salescan@sinctech.com

Electrical Specifications

Frequency Range	MHz	806 to 960
Input VSWR (max)		1.5:1
Impedance	Ω	50
Number of Cavities		2
Average Power Input (max)	W	1.5 dB I.L. = 280
Input Connectors		N-Female
Output Connectors		N-Female

Mechanical Specifications

Depth	in (mm)	7 (178)
Length/ Height	in (mm)	16.7 (424)
Width	in (mm)	19 (483)
Weight	lbs (kg)	18 (8.17)
Finish		shadow bronze
Mounting configurations		19 inch rack

Environmental Specifications

Temperature range	°F (°C)	-22 to +140 (-30 to +60)
-------------------	---------	--------------------------

www.sinctech.com

Region	United States	Europe, Middle East and Africa	Caribbean and Latin America	Canada and rest of the world
Telephone	USA: 1 800 263 3275	International: +44 (0) 1487 84 28 19	International: +1 905 726 7676	Canada: 1 800 263 3275 International: +1 905 727 0165
E-mail	salesusa@sinctech.com	salesuk@sinctech.com	salesla@sinctech.com	salescan@sinctech.com