

COMSHEL D Comshel, 7'-6" height, timber frame base

- Proven protection for communication systems
- Steel base and various exterior color options available
- Several height options available to accommodate varying space needs
- Various specially designed compact Base station antennas available for Comshels

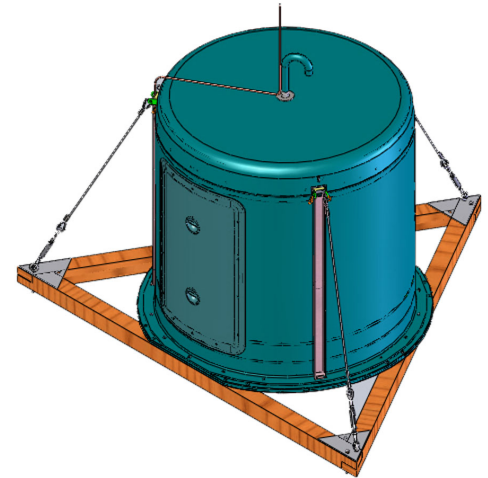
Sinclair's Comshel has been used for years to shelter communications systems from hostile environments in remote locations. It has proven itself able to withstand strong winds and a build-up of radial ice. Installations, as long as they are powered properly, can be left for years.

The durability and longevity of a Comshel installation means savings in service and replacement of equipment.

The basic composition of the Comshel is fiberglass roving with cloth and mat as reinforcement for a thermoset resin. The base selection includes a layer of polyurethane foam that provides excellent thermal insulation and adds to the strength of the structure. The Comshel has many superior features:

- sections nest for easy shipping
- smooth dark green gel-coat surface and round design sheds ice **
- rock anchors help withstand high winds
- bullet-resistant shell
- access door securely bolted to base
- molded-in colors
- custom construction
- Sinclair service and expertise

**Note: The standard color is dark green, other color options are available at a premium. Please contact your Sinclair Sales Representative for more information.



Region	United States	Europe, Middle East and Africa	Caribbean and Latin America	Canada and rest of the world
Telephone	USA: 1 800 263 3275	International: +44 (0) 1487 84 28 19	International: +1 905 726 7676	Canada: 1 800 263 3275 International: +1 905 727 0165
E-mail	salesusa@sinctech.com	salesuk@sinctech.com	salesla@sinctech.com	salescan@sinctech.com

Mechanical Specifications

Length/ Height	in (mm)	90.4 (2296)	*1
Comshel Weight (Less Base)	lbs (kg)	1071 (486.23)	
Comshel Base Frame Weight	lbs (kg)	251 (113.95)	
Comshel With Frame Weight	lbs (kg)	1322 (600.19)	
Base Diameter	in (mm)	84.6 (2149)	
Top Diameter	in (mm)	84.6 (2149)	
HFC (Horizontal force center)	in (mm)	49 (1245)	
Mounting hardware		Timber Base Frame	
Wind Loading Area	ft² (m²)	59.8 (5.56)	

Notes

*1 : Excluding vent pipe. 133 in including vent pipe.

Environmental Specifications

Temperature range	°F (°C)	-58 to +158 (-50 to +70)
Rated wind velocity (no ice)	mph (km/h)	245 (394)
Lateral thrust (100 mph No Ice)	lbs (N)	1126 (5008.4)
Rated Wind Velocity (2" Radial Ice)	mph (km/h)	150 (242)

Ordering Information

Sinclair also offers VHF antennas configured for comshel shelter, please contact your Sinclair Sales Representative for more information.

Region	United States	Europe, Middle East and Africa	Caribbean and Latin America	Canada and rest of the world
Telephone	USA: 1 800 263 3275	International: +44 (0) 1487 84 28 19	International: +1 905 726 7676	Canada: 1 800 263 3275 International: +1 905 727 0165
E-mail	salesusa@sinctech.com	salesuk@sinctech.com	salesla@sinctech.com	salescan@sinctech.com