

TJ4233-R-2 Cavity-Ferrite Transmitter Combiner, 3 channel, 7" Cavities, 806-960 MHz

- Allows for minimum Tx-Tx spacings of 250 KHz
- Expandable for more channels
- Uses high 'Q' 3/4 wave bandpass cavity filters with low loss broad band dual stage isolators
- Panel mount

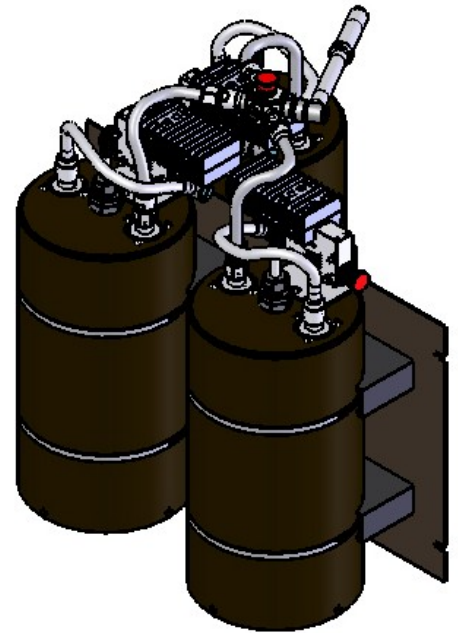
Sinclair's 'TJ4x3y-R-2 series cavity ferrite transmitter combiners are available in 2 to 5 channel configurations for use in systems from 806-960 MHz. Each channel on these combiners includes a low-loss, broad band single or dual-stage isolator and High 'Q' 3/4 wave bandpass cavity filter suitable for close channel separations, typically 250 KHz.

The 'TJ4x3y-R-2' series combiners can be expanded to 20 channels. For expansion please contact the Sinclair Systems group.

The naming convention and options for the TJ4x3y-R-2 are as follows:

Isolator type
x=1 Single stage
x=2 Dual stage

y= number of channels



Product may not appear exactly as shown.

Region	United States	Europe, Middle East, and Africa	Canada, Caribbean, and Latin America	Asia-Pacific
Telephone	1 800 263 3275	+1 905 727 0165 ext 232	Canada: 1 905 726 7676 International: +1 905 726 7676	+1 905 727 0165 ext 287
E-mail	salesusa@sincltech.com	salesemea@sincltech.com	salescan@sincltech.com	salesasia@sincltech.com

Electrical Specifications

Frequency Range	MHz	806 to 960
Input Connectors		N-Female
Output Connectors		N-Female
Input VSWR (max)		1.25:1
Output VSWR		2:1
Insertion Loss (max) Tx to Ant	dB	3.7
Maximum Input Power (per channel)	W	125
Frequency separation (min)	MHz	0.25
Isolation Tx to Tx	dB	60
Isolation antenna to Tx	dB	50

Notes

*1 : Maximum

Mechanical Specifications

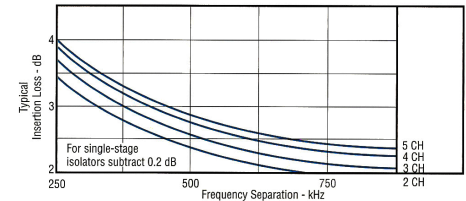
Width	in (mm)	19 (483)
Depth	in (mm)	14.7 (373)
Length/ Height	in (mm)	20 (508) *1
Finish		chromate conversion
Weight	lbs (kg)	20 (9.08)
Actual shipping weight	lbs (kg)	45 (20.43)
Shipping dimensions	in (mm)	20x16x21 (508x406x533)

Ordering Information

Specify one Tx frequency per channel at time of order.

Environmental Specifications

Temperature range	°F (°C)	-22 to +140 (-30 to +60)
-------------------	---------	--------------------------



Region	United States	Europe, Middle East, and Africa	Canada, Caribbean, and Latin America	Asia-Pacific
Telephone	1 800 263 3275	+1 905 727 0165 ext 232	Canada: 1 905 726 7676 International: +1 905 726 7676	+1 905 727 0165 ext 287
E-mail	salesusa@sinctech.com	salesemea@sinctech.com	salescan@sinctech.com	salesasia@sinctech.com