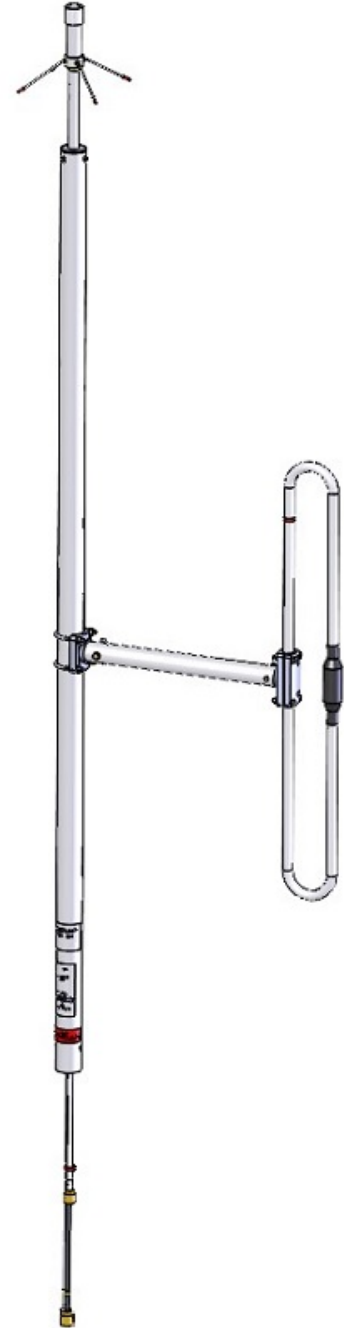


SG401/SD210D-SF3/F2P4SNM Dual Port Antenna, 0/2.5 dBd, Omni/Offset, 768-869 & 138-174 MHz

- Port 1 covers 768-869 MHz with 0 dBd gain, omni pattern
- Port 2 covers 138-174 MHz with 2.5 dBd gain, offset pattern

Sinclair's SG401/SD210D series of antenna utilizes unique design offering multiband coverage in one antenna in a dual port design, which helps with ease of installation, minimizes tower wind loading, and minimizes required tower space.



Antenna may not appear exactly as shown

Region	United States	Europe, Middle East, and Africa	Canada, Caribbean, and Latin America	Asia-Pacific
Telephone	1 800 263 3275	+1 905 727 0165 ext 232	Canada: 1 905 726 7676 International: +1 905 726 7676	+1 905 727 0165 ext 287
E-mail	salesusa@sinctech.com	salesemea@sinctech.com	salescan@sinctech.com	salesasia@sinctech.com
Product Specification Sheet		SG401/SD210D-SF3/F2P4SNM	Issue: 1	Dated: 15-12-23

#### Electrical Specifications

Frequency Range 1 (F1)	MHz	768 to 869
Bandwidth (F1)	MHz	101
Frequency Range 2 (F2)	MHz	138 to 174
Bandwidth (F2)	MHz	36
Gain F1 (typ)	dBd (dBi)	unity (2.1)
Pattern (F1)		Omni
Input VSWR 1 (max)		1.7:1
Vertical Beamwidth F1	degrees	80
Gain F2 (typ)	dBd (dBi)	2.5 (4.6)
Pattern (F2)		Offset
Input VSWR 2 (max)		1.5:1
Horizontal Beamwidth F2	degrees	200
Vertical Beamwidth F2	degrees	68
Connector		N-Male
Polarization		vertical
Impedance	Ω	50
Average Input Power (max)- Input 1	W	100
Average Input Power (max)- Input 2	W	200
Grounding		All metal parts DC-grounded

#### Notes

- \*1 : ± 10%
- \*2 : ± 10%
- \*3 : ± 2 lbs
- \*4 : Qty 2 required

#### Ordering Information

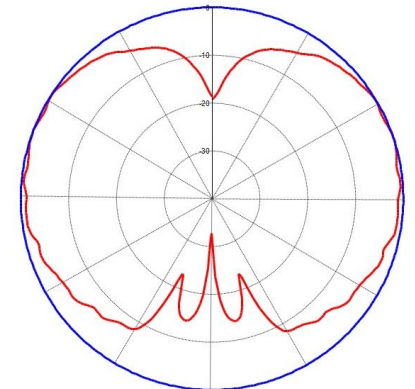
Clamps must be purchased separately.

#### Mechanical Specifications

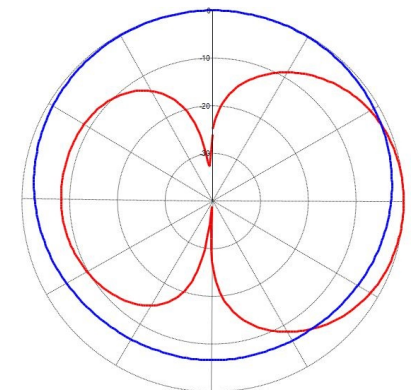
Width	in (mm)	21 (533)
Depth	in (mm)	8.7 (221)
Length/ Height	in (mm)	82 (2083)
Base pipe diameter	in (mm)	1.9 (48)
Radiating element material		aluminum
Weight	lbs (kg)	9 (4.09)
Mounting Hardware (Optional)		Clamp005, Clamp015, or Clamp130
Mounting configurations		upright
Kit for Offset Side Mount (straight tower leg)		SMK-125-A3 or SMK-125-A7
Actual shipping weight	lbs (kg)	16 (7.26)
Shipping dimensions	in (mm)	86x4x42 (2184x102x1067)

#### Environmental Specifications

Temperature range	°F (°C)	-40 to +140 (-40 to +60)
Wind Loading Area (Flat Plate Equivalent)	ft² (m²)	1 (0.09)
Wind Loading Area (1/2" ice)	ft² (m²)	1.8 (0.17)
Rated wind velocity (no ice)	mph (km/h)	140 (225)
Rated wind velocity (1/2" radial ice)	mph (km/h)	85 (137)
Lateral Thrust (100 mph No Ice)	lbs (N)	40 (177.9)
Torsional moment (100 mph No Ice)	ft-lbs (Nm)	16 (21.6)
Bending moment (100 mph No Ice)	ft-lbs (Nm)	96 (129.6)
Tip deflection (100 mph No Ice)	degrees	0.3



Frequency range 1 pattern  
— Vertical  
— Horizontal



Frequency range 2 pattern  
— Vertical  
— Horizontal

Region	United States	Europe, Middle East, and Africa	Canada, Caribbean, and Latin America	Asia-Pacific
Telephone	1 800 263 3275	+1 905 727 0165 ext 232	Canada: 1 905 726 7676 International: +1 905 726 7676	+1 905 727 0165 ext 287
E-mail	salesusa@sinctech.com	salesemea@sinctech.com	salescan@sinctech.com	salesasia@sinctech.com
Product Specification Sheet		SG401/SD210D-SF3/F2P4SNM	Issue: 1	Dated: 15-12-23