

4-Port Antenna	Y1	Y2
Frequency Range	1710-2690	1710-2690
HBPW	65	65
Gain	18	18
Tilt	2-12	2-12



Model Number		CP4-2M-65-18RT-1B				
		Y1, Y2				
Frequency Range(MHz)		1710-2690				
		1710-1880	1850-1990	1920-2170	2300-2400	2490-2690
Gain(dBi)	at mid Tilt	17.1	17.3	17.6	18.0	17.9
	over all Tilts	17.0±0.5	17.2±0.5	17.5±0.5	17.9±0.5	17.8±0.6
Horizontal Pattern:						
Azimuth Beam width(°)		67±5.0	65±5.0	63±5.0	62±5.0	59±5.0
Front to back Ratio Co-pol, ±30°(dB)		>26	>26	>26	>26	>26
Cross Polar Discrimination at Boresight (dB)		>20	>20	>20	>20	>20
Cross Polar Discrimination over Sector (dB)		>10	>10	>10	>9	>8
Vertical Pattern:						
Vertical-3dB Beam width (°)		7.1±0.5	6.8±0.5	6.3±0.5	5.6±0.5	5.3±0.5
Electrical Down-tilt (°)		2-12, continuously adjustable				
First Upper Side Lobe Suppression (dB)		>16	>16	>16	>16	>16
Cross-Polar Isolation (dB)		> 28				
Port to Port Isolation (dB)		> 28				
Max. Average Input Power per Port (W)		200(at 50°C ambient temperature)				
Electrical specifications, all systems:						
Polarization		+45° /-45°				
Impedance (Ω)		50				
VSWR		<1.5				
Return Loss (dB)		>14				
PIM3 (2x43 dBm carrier) (dBc)		<-150				
Lightning Protection		DC Ground				

Preliminary values based on NGMN-P-BASTA V12.0

Region	United States	Europe, Middle East, and Africa	Canada, Caribbean, and Latin America	Asia-Pacific
Telephone	1 800 263 3275	+1 905 727 0165 ext. 232	Canada: 1 905 726 7676 International: +1 905 726 7676	+1 905 727 0165 ext. 287
E-mail	salesusa@sincltech.com	salesemea@sincltech.com	salescan@sincltech.com	salesasia@sincltech.com
Product Specification Sheet		CP4-2M-65-18RT-1B	Issue 1.5	Dated: 2-23-2024

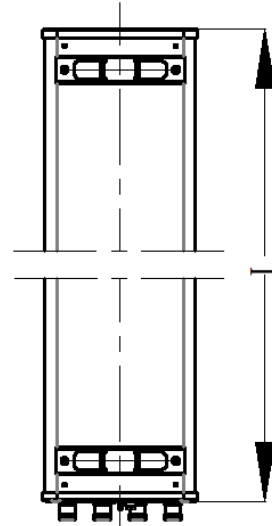
Model Number	CP4-2M-65-18RT-1B
Mechanical Specifications	
Connector Type	4.3/10(F) x 4
Connector position	Bottom
Electrical Tilt Control	Integrated RET, Each Band Individually Adjustable
Mechanical Tilt Range	0-16
Radome Material	UPVC
Antenna Weight(kg)	10/14 (clamps incl.)
Bracket Diameter(mm)	50-125
Maximum Wind Speed(km/h)	200
Wind Load frontal [N] at 150 Km/h	330
Wind Load rear side[N] at 150 Km/h	365
Wind Load lateral [N] at 150 Km/h	135
Operating Temperature (°C)	-40 ~+60
Antenna Dimensions (H x W x D) (mm)	1378x258x88
Packing Size (H x W x D) (mm)	1598x333x163

Integrated RET Specifications	
Protocols	Compliant With AISGV2.0 And 3GPP
Supply Voltage, VDC	10-30DC
Power Consumption	<2W (standby); < 10W (motor activated)
Safety Standard	Compliant to EN 60950/UL 60950/ RoHs (Restriction of Hazardous Substances), CE
Lightning Protection Rating	IEC 61000-4-5 Current Pulse Profile, Line to Ground 8/20 us @ 6kA ≥±5 Repetitions Line to line , 8/20 us @ 3kA ≥±5 Repetitions
Connectors	2 x 8 Pins Connector According To IEC60130-9 AND AISG 1 x Daisy Chain In : Male 1 x Daisy Chain Out : Female Pin3:RS485B; Pin5:RS485A; Pin6:10~30V; Pin7: DC return Female connector: 4 PINs ,Male connector: 4 PINs

Preliminary values based on NGMN-P-BASTA V12.0

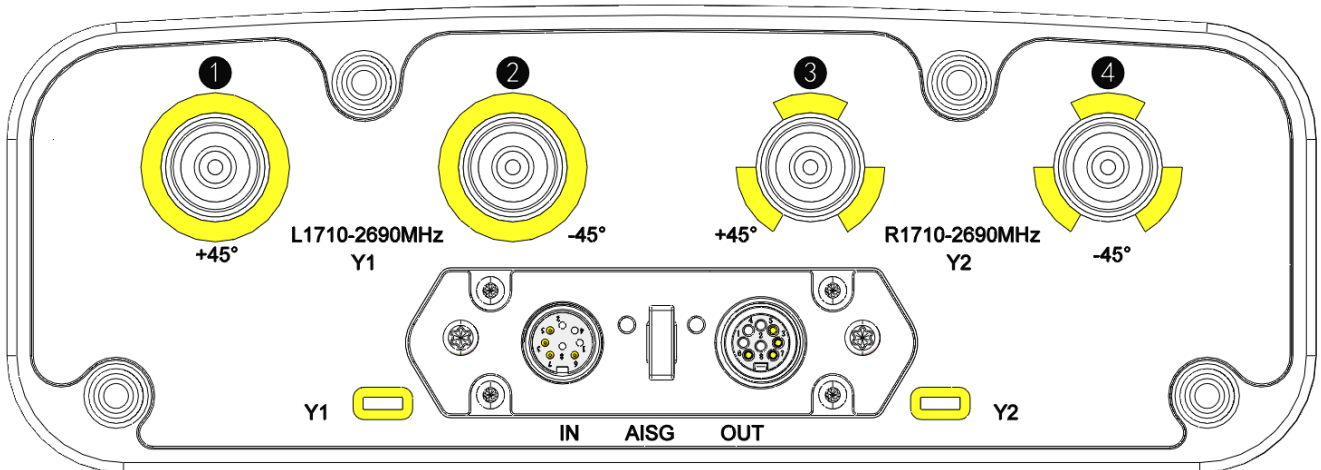
Region	United States	Europe, Middle East, and Africa	Canada, Caribbean, and Latin America	Asia-Pacific
Telephone	1 800 263 3275	+1 905 727 0165 ext. 232	Canada: 1 905 726 7676 International: +1 905 726 7676	+1 905 727 0165 ext. 287
E-mail	salesusa@sintech.com	salesemea@sintech.com	salescan@sintech.com	salesasia@sintech.com
Product Specification Sheet		CP4-2M-65-18RT-1B	Issue 1.5	Dated: 2-23-2024

Arrays of the antenna



L=1378mm

Ports of the antenna



Region	United States	Europe, Middle East, and Africa	Canada, Caribbean, and Latin America	Asia-Pacific
Telephone	1 800 263 3275	+1 905 727 0165 ext. 232	Canada: 1 905 726 7676 International: +1 905 726 7676	+1 905 727 0165 ext. 287
E-mail	salesusa@sintech.com	salesemea@sintech.com	salescan@sintech.com	salesasia@sintech.com
Product Specification Sheet		CP4-2M-65-18RT-1B	Issue 1.5	Dated: 2-23-2024