



<b>4-Port Antenna</b>	<b>Y1</b>	<b>Y2</b>
<b>Frequency Range</b>	1710-2690	1710-2690
<b>HBPW</b>	65	65
<b>Gain</b>	16	16
<b>Tilt</b>	2-12	2-12

Model Number		CP4-2M-65-16RT-1A				
		Y1, Y2				
Frequency Range(MHz)		1710-2690				
		1710-1880	1850-1990	1920-2170	2300-2500	2500-2690
Gain(dBi)	at mid Tilt	15.1	15.3	15.6	16.2	16.1
	over all Tilts	15.0±0.6	15.2±0.6	15.5±0.6	16.1±0.6	16.0±0.6
<b>Horizontal Pattern:</b>						
Azimuth Beam width(°)		67±5	65±5	63±5	61±5	58±5
Front to back Ratio Co-pol, ±30°(dB)		>25	>26	>26	>26	>26
Cross Polar Discrimination at Boresight (dB)		>20	>20	>20	>20	>20
<b>Vertical Pattern:</b>						
Vertical-3dB Beam width (°)		9.9±1.0	9.5±1.0	8.8±0.9	7.7±0.8	7.0±0.7
Electrical Down-tilt (°)		2-12, continuously adjustable				
First Upper Side Lobe Suppression (dB)		>15	>15	>15	>15	>15
Cross-Polar Isolation (dB)		> 25				
Port to Port Isolation (dB)		> 25				
Max. Average Input Power per Port (W)		200(at 50°C ambient temperature)				
<b>Electrical specifications, all systems:</b>						
Polarization		+45° /-45°				
Impedance (Ω)		50				
VSWR		<1.5				
Return Loss (dB)		>14				
PIM3 (2x43 dBm carrier) (dBc)		<-150				
Lightning Protection		DC Ground				

Preliminary values based on NGMN-P-BASTA V12.0

<b>Model Number</b>	<b>CP4-2M-65-16RT-1A</b>
<b>Mechanical Specifications</b>	
Connector Type	4.3/10(F) x 4
Connector position	Bottom
Electrical Tilt Control	Integrated RET , Each Band Individually Adjustable
Mechanical Tilt Range	0-16
Radome Material	UPVC
Antenna Weight(kg)	7/11 (clamps incl.)
Bracket Diameter(mm)	50-125
Maximum Wind Speed(km/h)	200
Wind Load frontal [N] at 150 Km/h	235
Wind Load rear side[N] at 150 Km/h	265
Wind Load lateral [N] at 150 Km/h	100
Operating Temperature (°C)	-40 ~+60
Antenna Dimensions (H x W x D) (mm)	998x258x88
Packing Size (H x W x D) (mm)	1218x333x163

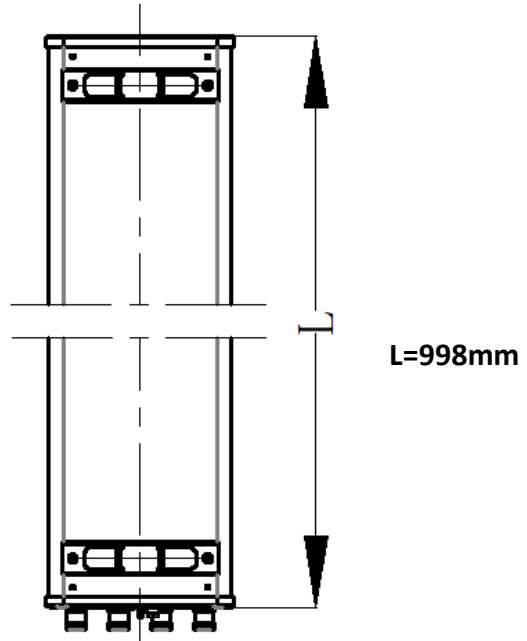
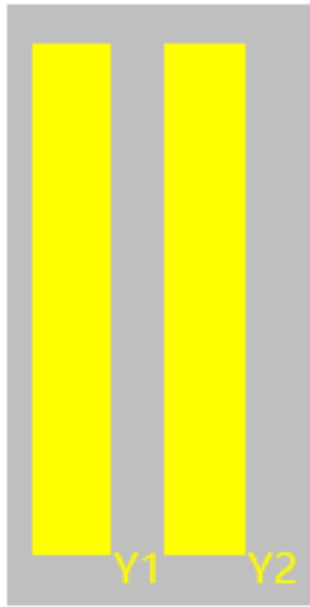
**Preliminary values based on NGMN-P-BASTA V12.0**

<b>Integrated RET Specifications</b>	
Protocols	Compliant With AISGV2.0 And 3GPP
Supply Voltage, VDC	10–30DC
Power Consumption	<2W (standby); < 10W (motor actived)
Safety Standard	Compliant to EN 60950/UL 60950/ RoHs (Restriction of Hazardous Substances), CE
Lightning Protection Rating	IEC 61000-4-5 Current Pulse Profile, Line to Ground 8/20 us @ 6kA ≥±5 Repetitions Line to line , 8/20 us @ 3kA ≥±5 Repetitions
Connectors	2 x 8 Pins Connector According To IEC60130-9 AND AISG 1 x Daisy Chain In : Male 1 x Daisy Chain Out : Female Pin3:RS485B; Pin5:RS485A; Pin6:10~30V; Pin7: DC return Female connector: 4 PINs ,Male connector: 4 PINs

**Preliminary values based on NGMN-P-BASTA V12.0**

<b>Region</b>	<b>United States</b>	<b>Europe, Middle East, and Africa</b>	<b>Canada, Caribbean, and Latin America</b>	<b>Asia-Pacific</b>
<b>Telephone</b>	1 800 263 3275	+1 905 727 0165 ext. 232	Canada: 1 905 726 7676 International: +1 905 726 7676	+1 905 727 0165 ext. 287
<b>E-mail</b>	salesusa@sinctech.com	salesemea@sinctech.com	salescan@sinctech.com	salesasia@sinctech.com
<b>Product Specification Sheet</b>		CP4-2M-65-16RT-1A	Issue 1.5	Dated: 2-26-2024

Arrays of the antenna



Ports of the antenna

