

12-Port Antenna	R1	R2	Y1	Y2	Y3	Y4
Frequency Range	698-960	698-960	1427-2690	1710-2690	1710-2690	1427-2690
HBPW	65	65	65	65	65	65
Gain	15.5	15.5	18	18	18	18
Tilt	2-12	2-12	2-12	2-12	2-12	2-12

Model Number		CP12-2L4M-65-16/18RT-1A		
Electrical specifications				
		R1, R2		
Frequency Range(MHz)		698-960		
		698-806	790-894	880-960
Gain(dBi)	at mid Tilt	14.9	15.2	15.6
	over all Tilts	14.7±0.6	15.0±0.6	15.4±0.6
Horizontal Pattern:				
Azimuth Beamwidth(°)		66±6.5	60±5.6	58±6.5
Front to back Ratio Co-polar, ±30°(dB)		>25	>25	>25
Cross Polar Discrimination at Boresight(dB)		>16	>16	>16
Vertical Pattern:				
Elevation Beamwidth(°)		11.0±1.1	9.8±0.6	9.3±0.7
Electrical Downtilt(°)		2-12, continuously adjustable		
Tilt Accuracy(°)		<1	<1	<1
FirstUpper Side Lobe Suppression(Typ.) (dB)		>15	>15	>15
Cross-Polar Isolation (dB)		> 25		
Port to Port Isolation (dB)		> 25		
Max. Average Input Power per Port (W)		250		

Preliminary values based on NGMN-P-BASTA V12.0



Region	United States	Europe, Middle East, and Africa	Canada, Caribbean, and Latin America	Asia-Pacific
Telephone	1 800 263 3275	+1 905 727 0165 ext. 232	Canada: 1 905 726 7676 International: +1 905 726 7676	+1 905 727 0165 ext. 287
E-mail	salesusa@sinctech.com	salesemea@sinctech.com	salescan@sintech.com	salesasia@sinctech.com
Product Specification Sheet		CP12-2L4M-65-16/18RT-1A	Issue 1.5	Dated: 2-26-2024

Model Number		CP12-2L4M-65-16/18RT-1A				
		Y1, Y4				
Frequency Range(MHz)		1427-2690				
		1427-1518	1710-1920	1920-2170	2300-2400	2500-2690
Gain(dBi)	at mid Tilt	15.6	16.8	17.4	17.6	17.8
	over all Tilts	15.4 ±0.6	16.6 ±0.5	17.2±0.5	17.4±0.5	17.6±0.5
Horizontal Pattern:						
Azimuth Beamwidth(°)		72±6.5	67±6.5	64±6.5	61±6.5	58±7.0
Front to back Ratio Co-polar, ±30°(dB)		>25	>25	>25	>25	>25
Cross Polar Discrimination at Boresight(dB)		>16	>16	>16	>17	>17
Vertical Pattern:						
Elevation Beamwidth(°)		7.7±0.6	6.6±0.8	5.9±0.6	5.2±0.5	4.8±0.6
Electrical Downtilt(°)		2-12, continuously adjustable				
First Upper Side Lobe Suppression (dB)		>15	>15	>15	>15	>15
Cross-Polar Isolation (dB)		> 26	> 26			
Port to Port Isolation (dB)		> 26	> 26			
Max. Average Input Power per Port (W)		200				

Preliminary values based on NGMN-P-BASTA V12.0

Model Number		CP12-2L4M-65-16/18RT-1A				
		Y2, Y3				
Frequency Range(MHz)		1710-2690				
		1710-1880	1850-1990	1920-2170	2300-2400	2490-2690
Gain(dBi)	at mid Tilt	16.6	17.0	17.2	17.4	17.6
	over all Tilts	16.4±0.6	16.8±0.5	17.0±0.5	17.2±0.5	17.4±0.5
Horizontal Pattern:						
Azimuth Beamwidth(°)		68±6.5	66±6.5	64±6.5	58±6.5	59±6.5
Front to back Ratio Co-polar, ±30°(dB)		>25	>25	>25	>25	>25
Cross Polar Discrimination at Boresight (dB)		>16	>16	>16	>17	>17
Vertical Pattern:						
Vertical-3dB Beamwidth (°)		6.8±0.6	6.4±0.5	6.0±0.5	5.2±0.4	4.8±0.6
Electrical Downtilt (°)		2-12, continuously adjustable				
First Upper Side Lobe Suppression (dB)		>15	>15	>15	>15	>15
Cross-Polar Isolation (dB)		> 26				
Port to Port Isolation (dB)		> 26				

Max. Average Input Power per Port (W)	200
---------------------------------------	-----

Preliminary values based on NGMN-P-BASTA V12.0

Electrical specifications, all systems:	
Polarization	+45° /-45°
Impedance (Ω)	50
VSWR	<1.5
Return Loss (dB)	> 14
PIM3 (2x43 dBm carrier) (dBc)	<-150
Lightning Protection	DC Ground

Preliminary values based on NGMN-P-BASTA V12.0



Model Number	CP12-2L4M-65-16/18RT-1A
--------------	-------------------------

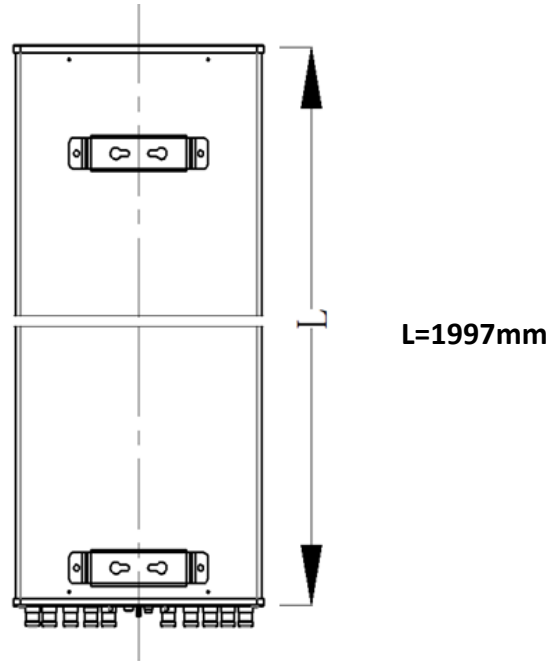
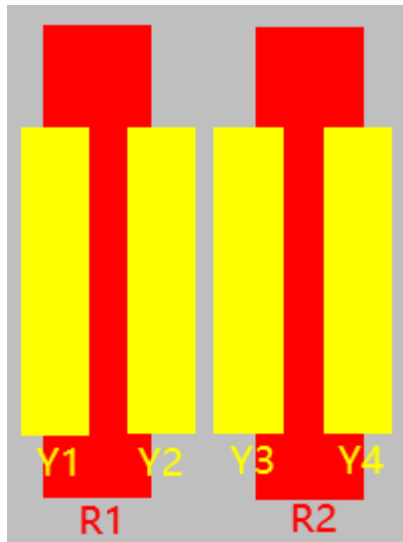
Mechanical Specifications

Connector Type	4.3/10(F) x 12
Connector position	Bottom
Electrical Tilt Control	Integrated RET, Each Band Individually Adjustable
Mechanical Tilt Range(°)	0-12
Radome Material	Fiberglass
Antenna Weight(kg)	29/34.5 (clamps incl.)
Bracket Diameter(mm)	50-125
Distance Antenna Bracket(mm)	1400
Maximum Wind Speed(km/h)	200
Wind Load frontal [N] at 150 Km/h	405
Wind Load rear [N] at 150 Km/h	500
Wind Load lateral [N] at 150 Km/h	480
Operating Temperature (°C)	-40 ~+60
Antenna Dimensions (H x W x D) (mm)	1997x497x197
Packing Size (H x W x D) (mm)	2237x572x272

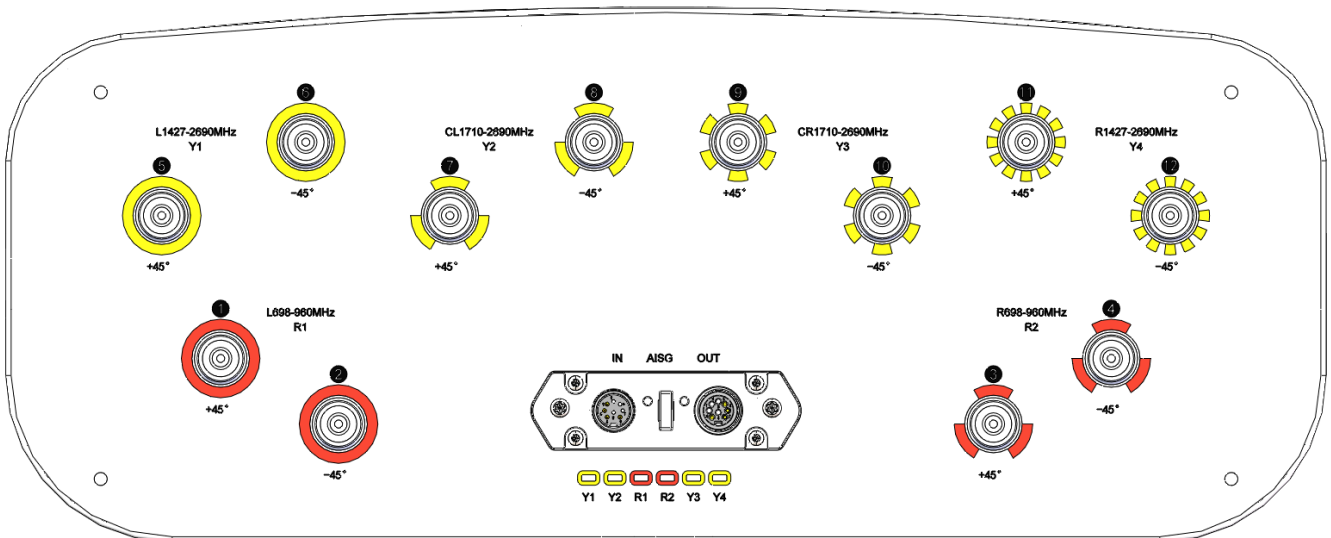
Preliminary values based on NGMN-P-BASTA V12.0

Region	United States	Europe, Middle East, and Africa	Canada, Caribbean, and Latin America	Asia-Pacific
Telephone	1 800 263 3275	+1 905 727 0165 ext. 232	Canada: 1 905 726 7676 International: +1 905 726 7676	+1 905 727 0165 ext. 287
E-mail	salesusa@sinctech.com	salesemea@sinctech.com	salescan@sintech.com	salesasia@sinctech.com
Product Specification Sheet		CP12-2L4M-65-16/18RT-1A	Issue 1.5	Dated: 2-26-2024

Arrays of the antenna



Ports of the antenna



Region	United States	Europe, Middle East, and Africa	Canada, Caribbean, and Latin America	Asia-Pacific
Telephone	1 800 263 3275	+1 905 727 0165 ext. 232	Canada: 1 905 726 7676 International: +1 905 726 7676	+1 905 727 0165 ext. 287
E-mail	salesusa@sinctech.com	salesemea@sinctech.com	salescan@sintech.com	salesasia@sinctech.com
Product Specification Sheet		CP12-2L4M-65-16/18RT-1A	Issue 1.5	Dated: 2-26-2024