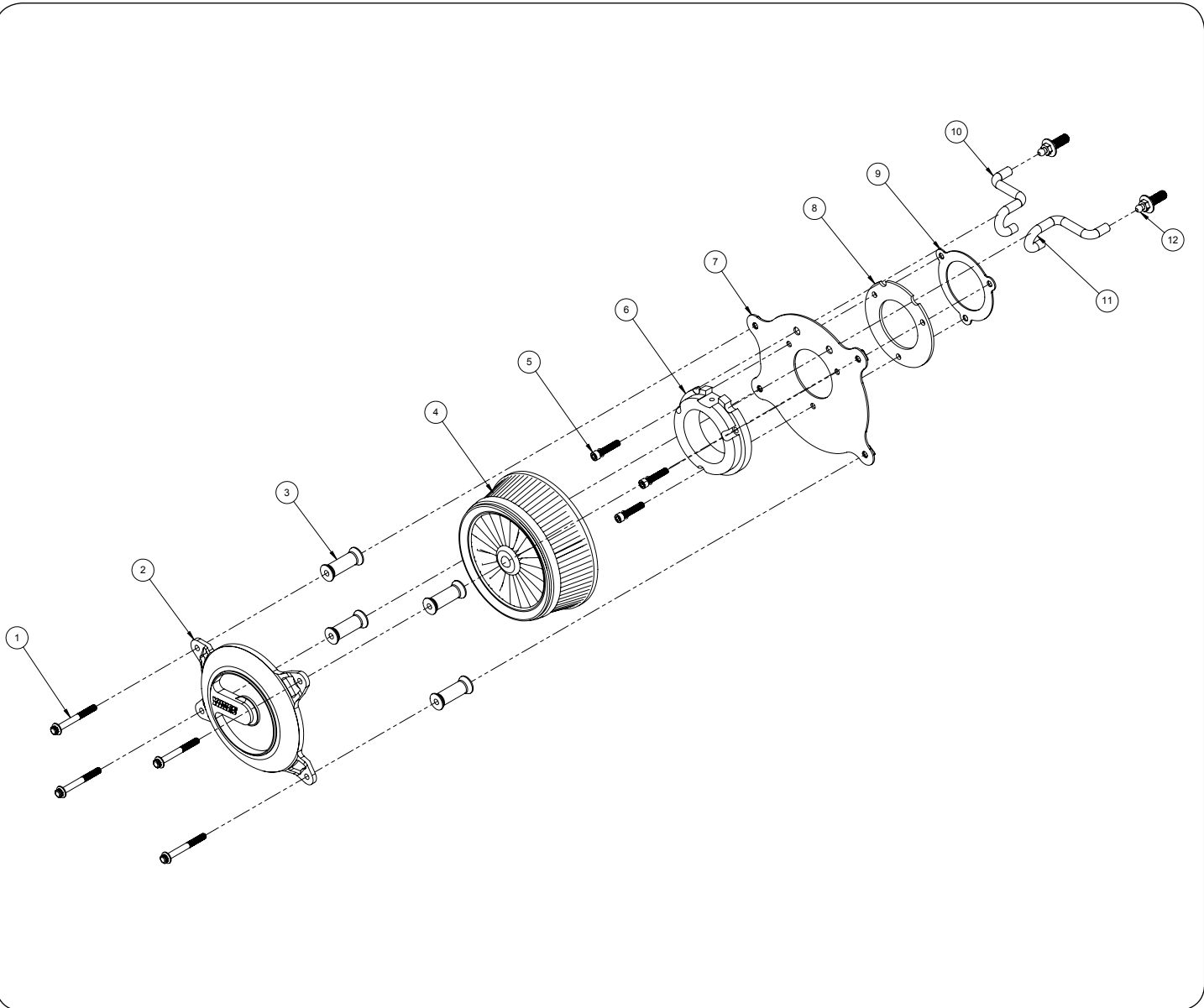




INSTALLATION INSTRUCTIONS: HARLEY-DAVIDSON TOURING 2008-2016 ROGUE AIR INTAKE PART# 40075 / 70075

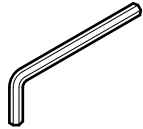
Congratulations, you have purchased the finest air intake available for your motorcycle. Your Vance & Hines air intake is designed and crafted for performance, quality and style. Please follow the instructions below, check exhaust system for missing or damaged parts and if you need any assistance please contact our technical support line (562) 921-7461.



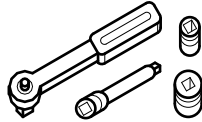
PARTS LIST

NO.	Description	Qty.			
1	12 Pt Flange Head Cap Screw	4	7	Backing Plate	1
2	Rogue Air Cover	1	8	Backing Plate Stiffner	1
3	Air Filter Standoff	4	9	Throttle Body Gasket	1
4	Air Filter	1	10	Rear Breather Hose	1
5	1/4-20 x 1-1/4 SHCS	3	11	Front Breather Hose	1
6	Aluminum Venturi	1	12	3/8-16 UNC-2A Breather Bolt	2

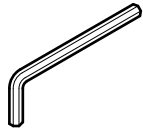
TOOLS REQUIRED



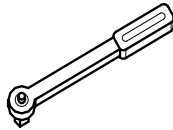
T27 Torx wrench



**1/4" or 3/8" Drive Ratchet
7/16" Hex Socket
5/16" Allen Socket
5/16" 12 Point Socket**



Allen Wrenches: 3/16"



**Inch-pound Torque
wrench**

Loctite 243 (blue)

OEM SYSTEM REMOVAL

1. Take off the OE air filter cover by removing the 5/16" x 1/2" OE button head cap screw in the center. Set the air filter cover and the screw aside for re-use. On some models the cap screw may be covered by a vanity cover. Carefully pull this cover off that is held on by velcrow.
2. This will expose the filter element, which is then removed by taking out the three Torx head cap screws.
3. Remove the breather hoses from the cylinder head breather bolts by gently pulling on them.
4. Now remove the backing plate and gasket by unbolting the cylinder head breather bolts. Be sure that the surface is clean and dry.

V&H AIR INTAKE INSTALLATION

1. For a clear understanding of this installation, it is best to refer to the exploded view diagram while reading these instructions.
2. When installing or servicing the air cleaner, apply Loctite 243 (blue) to the threads of all the fasteners.
3. Install the two cylinder head breather bolts **(12)**. **NOTE:** Tighten the cylinder head breather bolts to 120-144 in-lbs (13.6-16.3 Nm).
4. Install the rear and front breather hoses **(10)** & **(11)** through the top two holes in the filter backing plate **(7)**, aligned as shown.
5. Using the three 1/4"-20 x 1-1/4" socket head cap screws **(5)** sandwich the venturi **(6)**, the filter backing plate w/ breather hoses **(7)**, backing plate stiffener **(8)**, the gasket **(9)**, and install onto the throttle body. Make sure the inside edges of all of these parts are aligned before tightening to 55-60 in- lbs (6.2-6.8 Nm).
6. Install the air filter cover **(2)** onto the air filter **(4)** with the 12 point head cap screws **(1)** and air filter standoffs **(3)**. **NOTE:** Make sure the bigger end of the air filter standoffs **(3)** are closest to the bike. Also make sure to orient the air filter so that the metal fin is hidden behind the Vance & Hines logo on the air filter cover.
7. After 100 miles check to be sure that all bolts are still tight. Periodically ensure that these screws remain tight.

Emissions Notice:

In California, in order to meet Air Resources Board emissions requirements, certain aftermarket part applications have been identified as replacements, and others have received ARB Executive Orders. All other emissions related aftermarket parts are for competition use only. A list of replacement parts and EO parts, and corresponding fitment is provided at vanceandhines.com/california.

Warranty:

All Vance & Hines products are warranted against defects in material and workmanship for a period of 90 days. This warranty does not cover discoloration or rust. This warranty shall be limited to the repair or replacement of the product, which may be proven defective under normal use. Vance & Hines will not warranty any system that has been abused, misused, improperly installed or modified.

Dealers or distributors are not authorized to make dispositions binding upon Vance & Hines. Vance & Hines will not be responsible for any labor charges incurred in removing or replacing any system under warranty. A return authorization number and a copy of the original purchase invoice must accompany all returns. Parts returned without a return authorization may be refused.

13861 ROSECRANS AVENUE / SANTA FE SPRINGS, CA 90670

SALES: (562) 921-5388
TECHNICAL: (562) 926-5291
FAX: (562) 802-0110

vanceandhines
.com