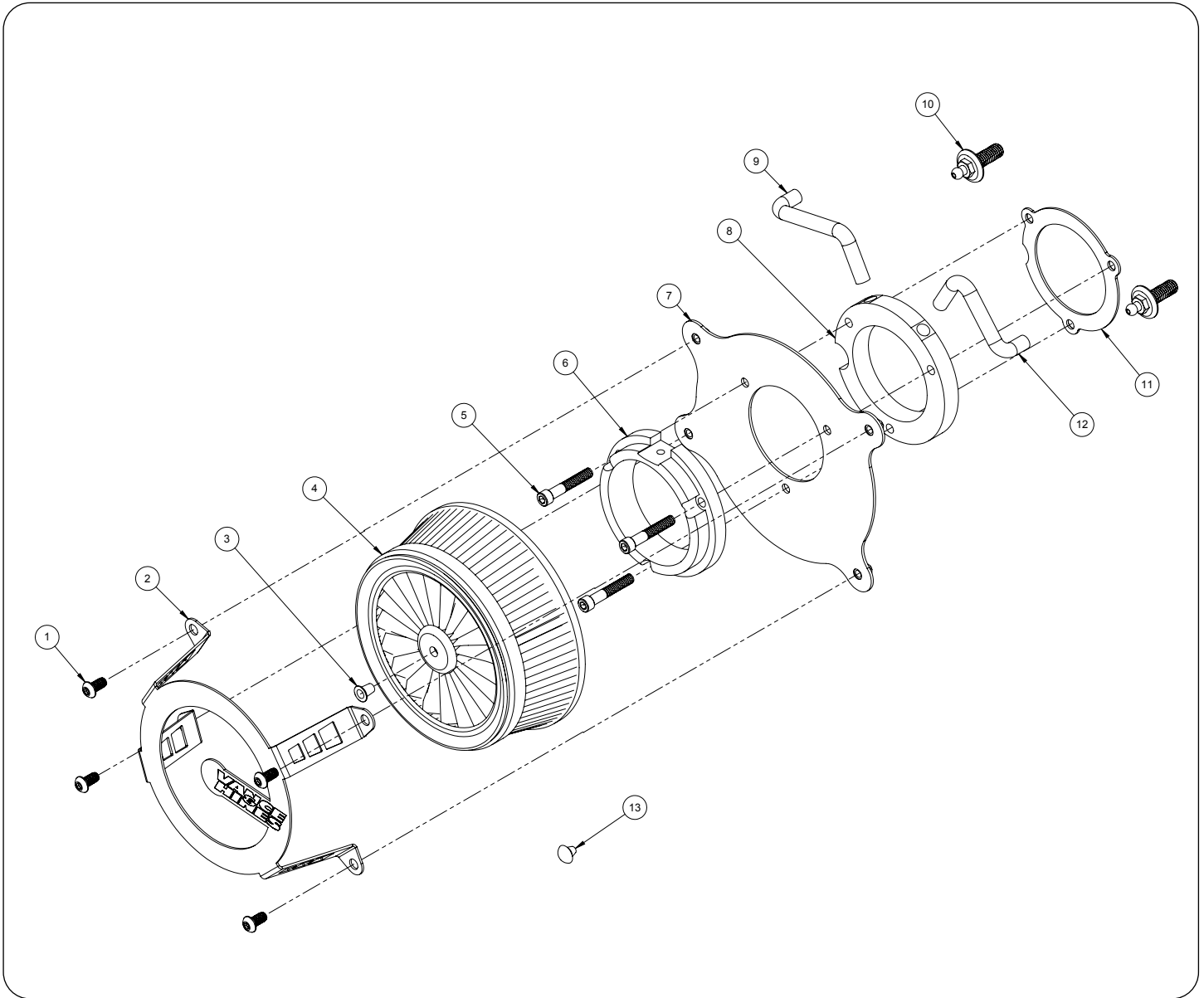




INSTALLATION INSTRUCTIONS: HARLEY-DAVIDSON TOURING 2017 CAGE FIGHTER AIR INTAKE PART# 40066, 70066

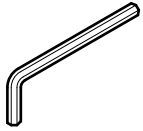
Congratulations, you have purchased the finest air intake available for your motorcycle. Your Vance & Hines air intake is designed and crafted for performance, quality and style. Please follow the instructions below, check air intake system for missing or damaged parts and if you need any assistance please contact our technical support line (562) 921-7461.



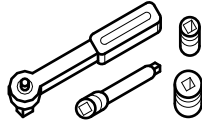
PARTS LIST

NO.	Description	Qty.			
1	1/4-20 x 1/2 BHCS	4	7	Backing Plate	1
2	Air Filter Cage	1	8	Throttle Body Spacer	1
3	Red Plastic Sealing Plug	1	9	Rear Breather Hose	1
4	Air Filter	1	10	3/8-16 UNC-2A Breather Bolt	2
5	1/4-20 x 1-1/4 SHCS	3	11	Throttle Body Gasket	1
6	Aluminum Venturi	1	12	Front Breather Hose	1
			13	Black Rubber Sealing Plug	1

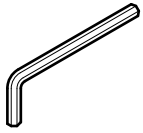
TOOLS REQUIRED



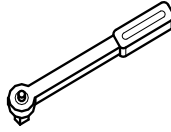
T27 Torx wrench



1/4" or 3/8" Drive Ratchet
7/16" Hex Socket and 5/16"



Allen Wrenches: 3/16",
5/32"



Inch-pound Torque
wrench

Loctite 243 (blue)

OEM SYSTEM REMOVAL

1. Take off the OE air filter cover by removing the 5/16" x 1/2" OE button head cap screw in the center. On some models the cap screw may be covered by a vanity cover. Carefully pull this cover off that is held on by velcrow.
2. Remove the filter element by taking out the three Torx head cap screws.
3. Remove the breather hoses from the cylinder head breather bolts by gently pulling on them.
4. Now remove the backing plate and gasket by unbolting the cylinder head breather bolts. Be sure that the surface is clean and dry.

V&H AIR INTAKE INSTALLATION

1. For a clear understanding of this installation, it is best to refer to the exploded view diagram while reading these instructions.
2. When installing or servicing the air cleaner, apply Loctite 243 (blue) to the threads of all the fasteners.
3. Install the two cylinder head breather bolts **(10)**. **NOTE:** Tighten the cylinder head breather bolts to 120-144 in-lbs (13.6-16.3 Nm).
4. Install the rear and front breather hoses **(9)** & **(12)** through the top two holes in the throttle body spacer **(8)**, aligned as shown.
5. Using the three 1/4"-20 x 1.5" socket head cap screws **(5)** sandwich the venturi **(6)**, the filter backing plate **(7)**, throttle body spacer **(8)**, the gasket **(11)**, and install onto the throttle body. Make sure the inside edges of all of these parts are aligned before tightening to 55-60 in- lbs (6.2-6.8 Nm).
6. Install the air filter cage **(2)** onto the air filter **(4)** with the 1/4-20 button head cap screws **(1)**. Orient the air filter so that the metal fin on the air filter sits behind the Vance & Hines logo on the air filter cage. **NOTE:** Ensure the red plastic sealing plug **(3)** is seated in the center of the Air Filter. An additional black rubber plug **(13)** is located in the hardware bag. The black rubber plug is not for use with the Air Filter Cage.
7. After 100 miles check to be sure that all bolts are still tight. Periodically ensure that these screws remain tight.

Emissions Notice:

In California, in order to meet Air Resources Board emissions requirements, certain aftermarket part applications have been identified as replacements, and others have received ARB Executive Orders. All other emissions related aftermarket parts are for competition use only. A list of replacement parts and EO parts, and corresponding fitment is provided at vanceandhines.com/california.

Warranty:

All Vance & Hines products are warranted against defects in material and workmanship for a period of 90 days. This warranty does not cover discoloration or rust. This warranty shall be limited to the repair or replacement of the product, which may be proven defective under normal use. Vance & Hines will not warranty any system that has been abused, misused, improperly installed or modified.

Dealers or distributors are not authorized to make dispositions binding upon Vance & Hines. Vance & Hines will not be responsible for any labor charges incurred in removing or replacing any system under warranty. A return authorization number and a copy of the original purchase invoice must accompany all returns. Parts returned without a return authorization may be refused.

13861 ROSECRANS AVENUE / SANTA FE SPRINGS, CA 90670

SALES: (562) 921-5388
TECHNICAL: (562) 926-5291
FAX: (562) 802-0110

vanceandhines
.com