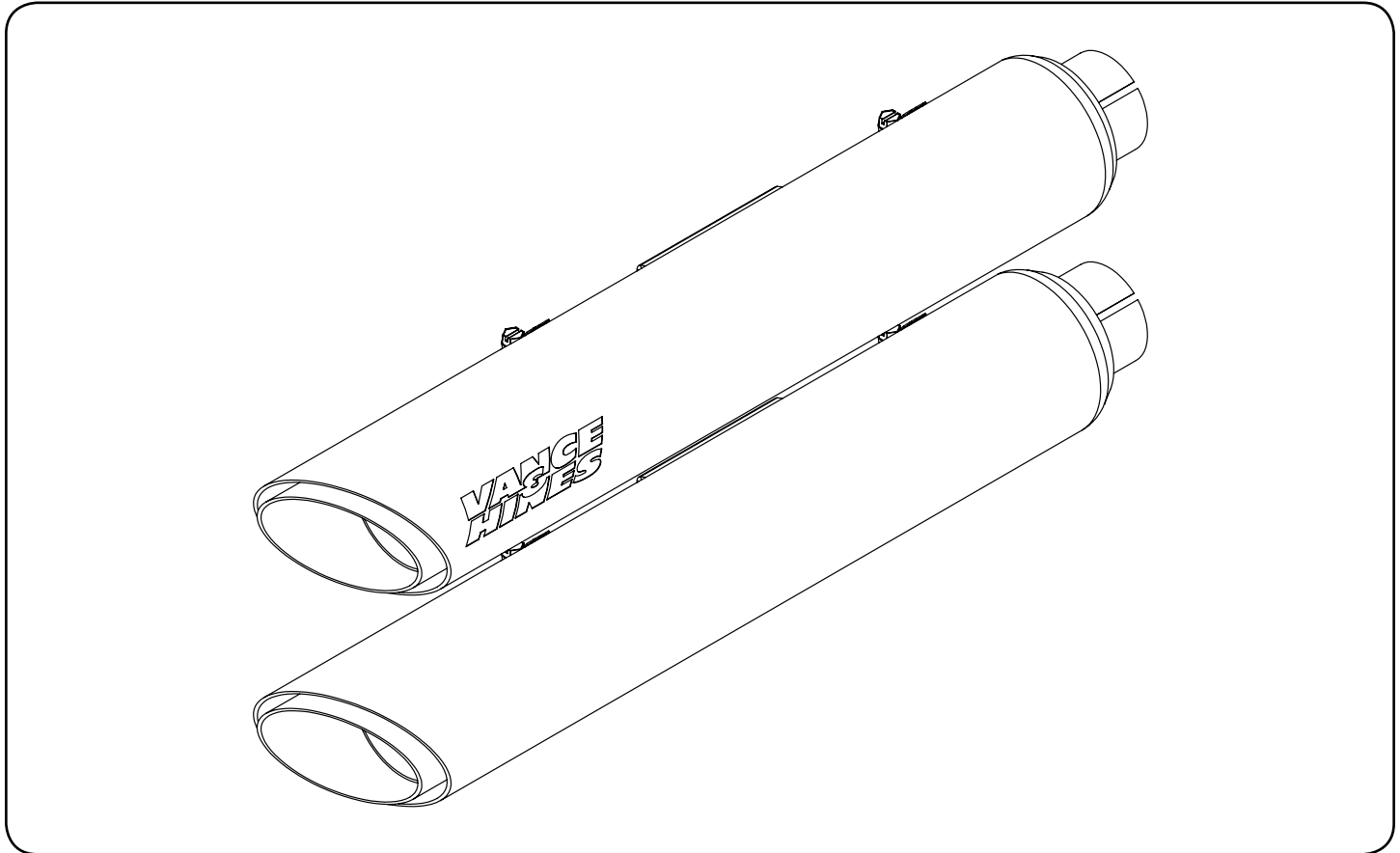




**INSTALLATION INSTRUCTIONS:  
2015 - 2018 INDIAN SCOUT  
TWIN SLASH SLIP-ON'S  
PART# 18623/48623**

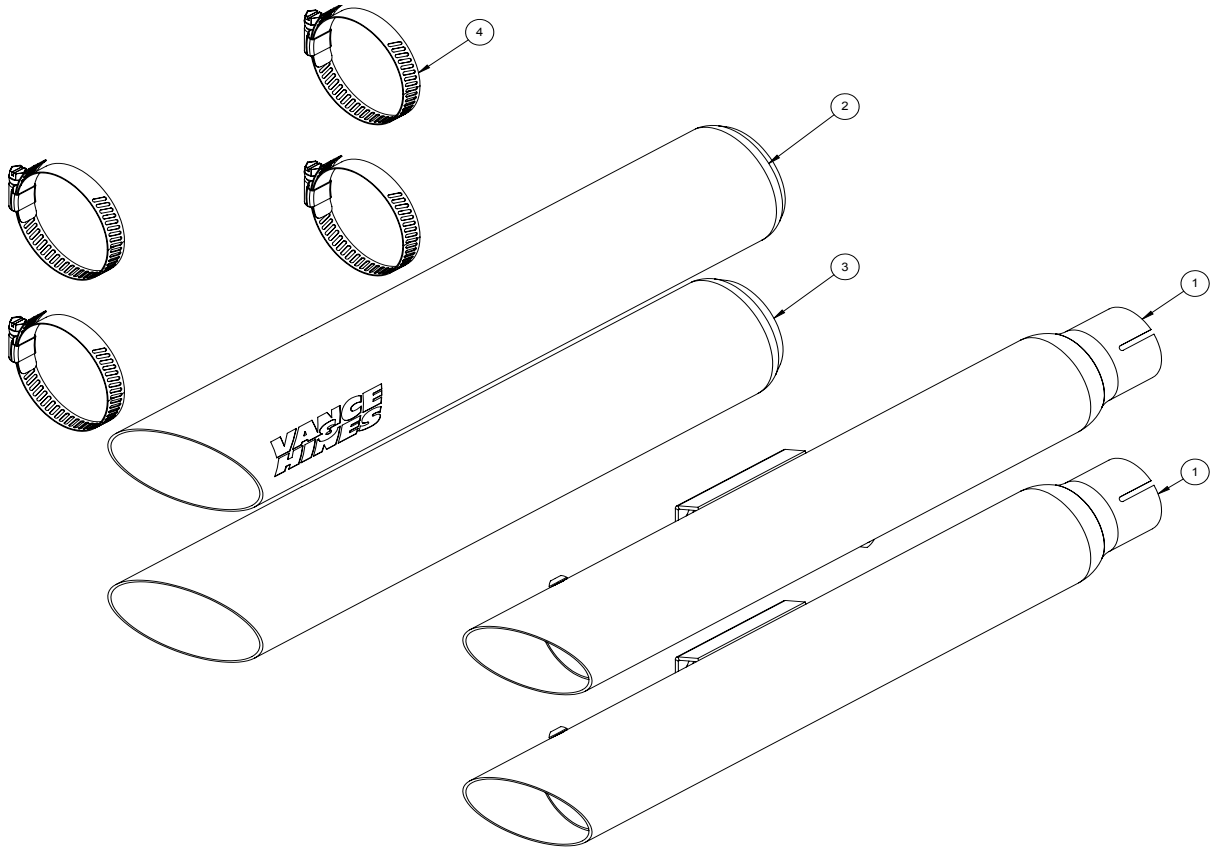
Congratulations, you have purchased the finest exhaust system available for your motorcycle. Your Vance & Hines exhaust is designed and crafted for performance, quality, and style. Please follow the instructions below, check exhaust system for missing or damaged parts and if you need any assistance please contact our technical support line (562) 921-7461.



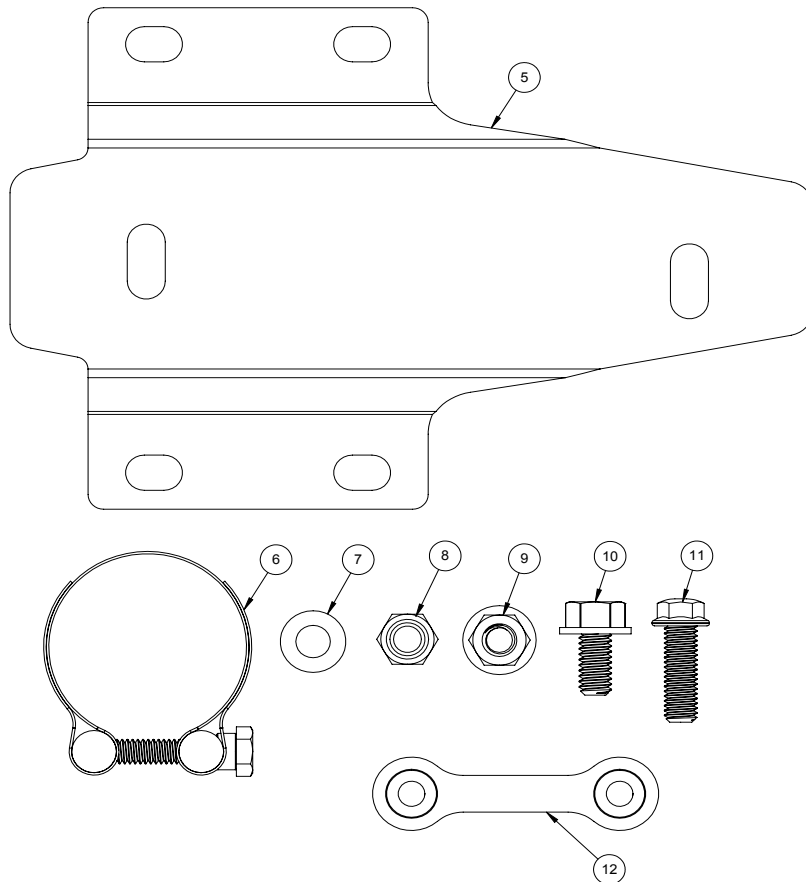
**PARTS LIST**

PART NO.	Description	Qty.
1	I400RC Muffler Casing	2
2	I405HC/I415RP Heat Shield, Rear Cylinder	1
3	I400HC/I410RP Heat Shield, Front Cylinder	1
4	A276HW Stainless Steel Hose Clamp	4
5	1126-P Mount Bracket	1
6	A328HW 1.81"-1.99" Barrel Band Clamp	2
7	A616HW M8 Flat Washer	1
8	A145HW M8 x 1.25mm Lock Nut	2
9	A852HW M8 x 1.25mm Flange Nut	2
10	A240HW 5/16"-18 x 5/8" FB	4
11	A427HW M8 x 1.25 x 25mm Hex FB	2
12	A195HW Dogbone Nut Plate	2

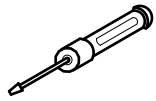
**FIGURE 1**



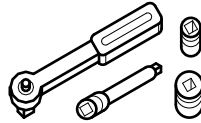
**HARDWARE**



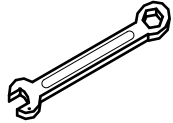
## TOOLS REQUIRED



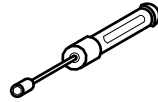
Flat Blade Screwdriver



3/8" Ratchet w/ 4" extension  
& 7/16" 1/2", 9/16" Socket,  
10mm, 13mm, 15mm



Combination Wrench: 1/2",  
9/16", 13mm



5/16" Nut Driver

## STOCK EXHAUST SYSTEM REMOVAL

1. OPTIONAL: Head pipes may need to be loosened from cylinder head slightly in order for proper fitment during reinstallation.
2. Loosen the existing muffler clamps on the front of your stock mufflers.
3. **2015 - 2016 Models**  
Remove the two M8 nuts and bolts securing the mufflers to the stock muffler brackets. This hardware will not be re-used.  
**2017+ Models**  
Remove the two M8 bolts securing the mufflers to the stock muffler bracket. Save all hardware and spacers to be re-used during install.
4. Remove the stock mufflers by sliding them back off the stock headers. **NOTE:** Penetrating oil may be required to loosen muffler from head pipes.

## VANCE & HINES EXHAUST INSTALLATION

1. **2015 - 2016 Models**  
Install supplied mounting bracket (5) as shown in the hardware section using the supplied M8 flange bolts (11), M8 lock nuts (8) and flat washer (7). The forward mounting hole does not use a flat washer. **NOTE:** Leave bracket loose for alignment.  
**2017+ Models**  
Re-install all original muffler mounting hardware and spacers into original mounting locations. (Bolts go through stock mounting bracket from wheel side of bracket). Loosely install the supplied mounting bracket (5) as shown in the hardware section using the supplied M8 lock nuts (9). **NOTE:** Leave bracket loose for alignment.
2. Remove the mufflers from their protective packaging.
3. Attach all hose clamps (4) to both heat shield assemblies (2 & 3) so that the bolt is to the inside and the nut is facing up as shown in figure 1. **NOTE:** Do not tighten hose clamps at this time.
4. Install the heat shield assemblies with the hose clamps over both muffler casings (1). Then tighten the hose clamps to secure both heat shields to the mufflers. **NOTE:** The rear and front muffler will be sticking out roughly a quarter of an inch from the heat shield assembly. Make sure to also align the muffler end slash with the heat shield end slash so that they are parallel.

5. Install the barrel band clamps (6) over the front and rear muffler (1) so that the bolt is facing up for the rear muffler and the bolt is down for the front muffler. **NOTE:** Leave loose at this time.
6. Slide mufflers onto the head pipes. The muffler with the Vance and Hines logo goes on the rear cylinder head pipe (top).
7. Slide the dog bone nut plates (12) inside the the brackets that are welded to the backside of the muffler bodies and attach the muffler body to the mounting bracket using two 5/16-18 x 5/8 flange head bolts (10). **NOTE:** Leave them loose at this time.
8. Align mufflers and tighten hardware, beginning with the M8 flange and hex bolts on the mounting brackets.
9. Tighten the barrel band clamps. (45 Ft/Lbs Torque Spec) **NOTE:** You may want to use an assistant at this time to visually check alignment while you tighten the hardware. Pay special attention to making sure the muffler does not droop when viewed from the back of the motorcycle.
10. Retighten header pipe if required.
11. After installation and before starting motorcycle, completely clean pipes and mufflers with cleaning solvent and a clean, soft cloth that will not leave a residue. **NOTE:** Any residue, oil, or fingerprints will stain the chrome when the metal heats up.
12. Be sure to tighten all hardware before starting your motorcycle.
13. **IMPORTANT: AFTER TEST RIDE LET PIPES COOL DOWN AND RE-TORQUE BARREL BAND CLAMPS.**

#### EXHAUST CARE

1. When installing a new set of chrome pipes, make sure your hands are clean and free of oil. After installation, thoroughly clean pipes with a soft cloth and cleaning solvent that will leave no residue (chrome wax/polish, glass cleasner, alcohol, ammonia, etc...) before starting the motorcycle.
2. Avoid long periods of idling as this can cause discoloration.
3. Intake leaks can cause the engine to run lean and overheat, this could lead to discoloration.
4. Make sure there are no exhaust leaks at the junction of the exhaust pipes and cylinder head. We recommend replacing gaskets if they are worn.

**Emissions Notice:**

In California, in order to meet Air Resources Board emissions requirements, certain aftermarket part applications have been identified as replacements, and others have received ARB Executive Orders. All other emissions related aftermarket parts are for competition use only. A list of replacement parts and EO parts, and corresponding fitment is provided at [vanceandhines.com/california](http://vanceandhines.com/california).

**Warranty:**

All Vance & Hines products are warranted against defects in material and workmanship for a period of 90 days. This warranty does not cover discoloration or rust. This warranty shall be limited to the repair or replacement of the product, which may be proven defective under normal use. Vance & Hines will not warranty any system that has been abused, misused, improperly installed or modified.

Dealers or distributors are not authorized to make dispositions binding upon Vance & Hines. Vance & Hines will not be responsible for any labor charges incurred in removing or replacing any system under warranty. A return authorization number and a copy of the original purchase invoice must accompany all returns. Parts returned without a return authorization may be refused.

13861 ROSECRANS AVENUE / SANTA FE SPRINGS, CA 90670  
SALES: (562) 921-5388  
TECHNICAL: (562) 926-5291  
FAX: (562) 802-0110

**vanceandhines**  
**.com**