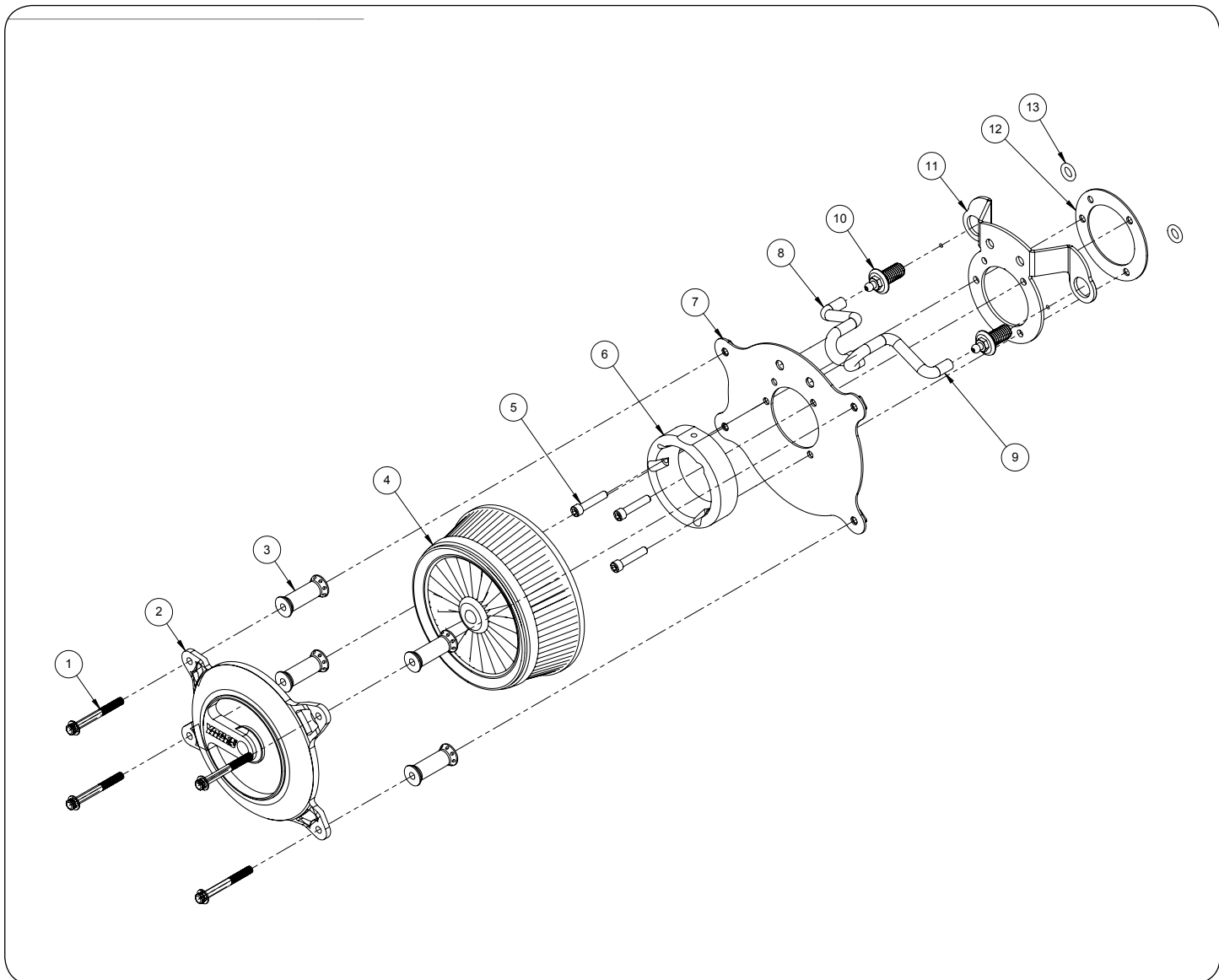




INSTALLATION INSTRUCTIONS: HARLEY-DAVIDSON SPORTSTER ROGUE AIR INTAKE PART# 40071 / 70071

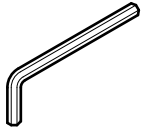
Congratulations, you have purchased the finest air intake available for your motorcycle. Your Vance & Hines air intake is designed and crafted for performance, quality and style. Please follow the instructions below, check exhaust system for missing or damaged parts and if you need any assistance please contact our technical support line (562) 921-7461.



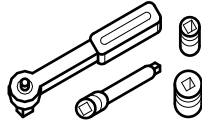
PARTS LIST

NO.	Description	Qty.			
1	12 Pt Flange Head Cap Screw	4	8	Rear Breather Hose	1
2	Rogue Air Cover	1	9	Front Breather Hose	1
3	Air Filter Standoff	4	10	1/2-13 UNC-2A Breather Bolt	2
4	Air Filter	1	11	Carburetor/Throttle Mount Bracket	1
5	1/4-20 x 1.25 SHCS	3	12	Throttle Body Gasket	1
6	Aluminum Venturi	1	13	O-ring	2
7	Backing Plate	1			

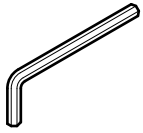
TOOLS REQUIRED



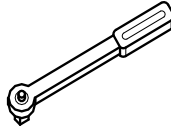
T27 Torx Wrench



**3/8" Drive Ratchet with 7/16"
and 5/16" 12 Point Socket**

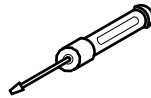


Allen Wrenches: 3/16"



**Inch-Pound Torque
Wrench**

Loctite 243 (blue)



Phillips Screwdriver

OEM SYSTEM REMOVAL

1. Take off the air filter cover by removing the two countersink screws in the filter cover.
2. This will expose the filter element, which is then removed by taking out the three Torx head cap screws.
3. Remove the two breather bolts that secure the backing plate to the cylinder heads.
4. Now remove the backing plate and gasket from the throttle body. **NOTE:** Be sure that the gasket surface is clean and dry and that no gasket material remains stuck to it.
5. Remove the support bracket from the throttle body.
6. None of the OEM parts will be reused for this installation.

V&H AIR INTAKE INSTALLATION

1. For a clear understanding of this installation, it is best to refer to the exploded view diagram while reading these instructions.
2. When installing or servicing the air cleaner, apply Loctite 243 (blue) to threads of all fasteners.
3. Loosely install the carburetor / throttle body mount bracket (11) and gasket (12) using the two cylinder head breather bolts (10) and breather bolt O-rings (13). **NOTE:** Make sure the gasket is installed with the correct rotation and right side up with the slightly smaller bleed hole in the top left hand corner. Tighten the cylinder head breather bolts (10) to 120-144 in-lbs (13.6-16.3 Nm) being careful not to pinch the breather bolt O-rings (13).
4. Install the rear and front breather hoses (8 & 9) through the top two holes in the filter backing plate (7), aligned as shown.
5. Using the three 1/4"-20 x 1-1/4" socket head cap screws (5) sandwich the throttle body mount bracket (11), the venturi (6) the filter backing plate w/ breather hoses (7) and install onto the throttle body. The slightly smaller bleed hole should be in the top left hand corner of the backing plate (7) and should line up with the bleed hole of the gasket (12), mounting bracket (11) and venturi (6). Make sure the inside edges of all of these parts are aligned before tightening to 55-60 in-lbs (6.2-6.8 Nm).
6. Install the air filter cover (2) onto the air filter (4) with the 12 point flange head cap screws (1) and air filter standoffs (3). **NOTE:** Make sure the bigger end of the air filter standoffs (3) are closest to the bike. Also make sure to orient the air filter so that the metal fin is hidden behind the Vance & Hines logo on the air filter cover.
7. After 100 miles check to be sure that all bolts are still tight. Periodically ensure that these screws remain tight.

Emissions Notice:

In California, in order to meet Air Resources Board emissions requirements, certain aftermarket part applications have been identified as replacements, and others have received ARB Executive Orders. All other emissions related aftermarket parts are for competition use only. A list of replacement parts and EO parts, and corresponding fitment is provided at vanceandhines.com/california.

Warranty:

All Vance & Hines products are warranted against defects in material and workmanship for a period of 90 days. This warranty does not cover discoloration or rust. This warranty shall be limited to the repair or replacement of the product, which may be proven defective under normal use. Vance & Hines will not warranty any system that has been abused, misused, improperly installed or modified.

Dealers or distributors are not authorized to make dispositions binding upon Vance & Hines. Vance & Hines will not be responsible for any labor charges incurred in removing or replacing any system under warranty. A return authorization number and a copy of the original purchase invoice must accompany all returns. Parts returned without a return authorization may be refused.

13861 ROSECRANS AVENUE / SANTA FE SPRINGS, CA 90670

SALES: (562) 921-5388
TECHNICAL: (562) 926-5291
FAX: (562) 802-0110

vanceandhines
.com