



CHROME SWITCH HOUSING KIT

1742

FITS: FOLLOWING MODELS WITH CRUISE - '02-'09 FLHT, '02-UP FLHTC, '06-UP FLHX, '10-UP FLTRX

PARTS INCLUDED

- 1 Left Upper Housing
1 Left Lower Housing
1 Right Upper Housing
1 Right Lower Housing
1 Hardware Kit
4 10-24 x 1/2" Torx Bolt
4 Split Lock Washers
1 Spring
1 Thumbscrew
1 Throttle Hold Clip
2 E-Clips
2 Cable Hole Plugs
1 Installation Instructions

Please read and understand entire instructions before starting installation.

THANK YOU FOR CHOOSING KÜRYAKYN!

IN ORDER TO PROTECT YOU AND OTHERS FROM POSSIBLE INJURY AND/OR PROPERTY DAMAGE OR LOSS, PLEASE PAY CLOSE ATTENTION TO ALL INSTRUCTIONS, WARNINGS, CAUTIONS AND ATTENTION NOTES REGARDING THE USE AND CARE OF THIS PRODUCT.

WARNING! THIS INDICATION ALERTS YOU TO THE FACT THAT IGNORING THE CONTENTS DESCRIBED HEREIN CAN RESULT IN POTENTIAL DEATH OR SERIOUS INJURY.

CAUTION! This indication alerts you to the fact that ignoring the contents described herein can result in potential injury or material damage.

ATTENTION! This indication alerts you to the fact that ignoring the contents described herein may negatively affect product performance and functionality.

TOOLS SUGGESTED

T25 and a T27 Torx Wrench, SAE Hex Key Set, Phillips Screwdriver, Silicone Sealant, a Torque Wrench and a Service Manual for your bike.

STRICTLY OBSERVE THE FOLLOWING GUIDELINES IN ORDER TO USE THE PRODUCT PROPERLY AND AVOID POTENTIALLY DANGEROUS ACCIDENTS.

PROCEDURE - BRAKE SIDE

ATTENTION! A factory service manual may be helpful in performing this installation. Do not attempt to perform this installation if you are not confident in your ability to complete all steps in the procedure; consult a trained technician.

STEP 1 Read and understand all steps in the instructions before starting the installation. Park the motorcycle on a hard, level surface; turn off the ignition and allow the engine to cool.

-cont.-



CUSTOMER SERVICE
877.370.3604 (toll free)

INSTALLATION QUESTIONS
techsupport@kuryakyn.com
or call 715.247.2983

LIMITED WARRANTY

Kuryakyn warrants that any Kuryakyn products sold hereunder, shall be free of defects in materials and workmanship for a period of one (1) year from the date of purchase by the consumer excepting the following provisions:

- Kuryakyn shall have no obligation in the event the customer is unable to provide a receipt showing the date the customer purchased the product(s).
• The product must be properly installed, maintained and operated under normal conditions.
• Kuryakyn makes no warranty, expressed or implied, with respect to any gold plated products.
• Kuryakyn shall not be liable for any consequential and incidental damages, including labor and paint, resulting from failure of a Kuryakyn product, failure to deliver, delay in delivery, delivery in nonconforming condition, or for any breach of contract or duty between Kuryakyn and a customer.
• Kuryakyn products are often intended for use in specific applications. Kuryakyn makes no warranty if a Kuryakyn product is used in applications other than intended.
• Kuryakyn electrical products are warranted for one (1) year from the date of purchase by the consumer. Components of Kuryakyn products containing L.E.D.s will be warranted for defects in materials and workmanship for 3 years from the date of purchase.
• Kuryakyn makes no warranty of any kind in regard to other manufacturer's products distributed by Kuryakyn. Kuryakyn will pass on all warranties made by the manufacturer and where possible, will expedite the claim on behalf of the customer, but ultimately, responsibility for disposition of the warranty claim lies with the manufacturer.

ABOUT OUR CATALOG

You'll find all our innovations for H-D, GL and Metric Cruisers in our annual catalogs. Order online today-select the "CATALOGS" icon. Each Kuryakyn® product comes with a Proof-of-Purchase good for a complimentary catalog. Details in packaging.

Be sure to ask your local dealer about other Kuryakyn® products, the motorcycle parts and accessories designed for riders by riders.

©2005 Kuryakyn USA® All Rights reserved.



STEP 2 Place a 5/32" cardboard insert between the brake lever and the brake lever bracket. Doing so will depress the brake switch and protect it from damage when the switch housings are removed. See PIC. 1.

STEP 3 Using a T27 Torx wrench, remove the two fasteners that secure the handle bar clamp to the master cylinder housing. Remove the brake lever/master cylinder assembly and clamp from the handlebar.

STEP 4 Using a T25 Torx wrench, remove the upper and lower switch housing fasteners. Remove the friction shoe from the end of the tension adjuster screw.

NOTE For '08-up models equipped with electronic throttles, slide the throttle side grip off the handlebar after separating the switch housing halves.

STEP 5 Remove the brass ferrules from the notches on the inboard side of the throttle control grip. Remove the ferrules from the cable end fittings.

STEP 6 Remove the throttle control grip.

STEP 7 With a rocking motion, pull the crimped inserts at the end of the throttle and idle return cable from the lower switch housing. Remove throttle and idle return cable.

STEP 8 Disassemble the right handle bar upper switch housing. To assist in reassembly, note the routing of the wires. On the upper shell of the switch housing, remove the Phillips screw from inner housing.

STEP 9 Remove switch bracket and switch assembly from the housing.

STEP 10 Reassemble the right handle bar upper chrome switch housing. See PIC. 2. Place the switch assembly and bracket into the chrome upper housing cavity. Align the hole in the bracket with the threaded hole on the boss. Be sure the bracket is fully seated.

STEP 11 Fasten the bracket to the inner housing using the stock 6-32 X 1/4" Phillips Head Cap Screw and a #6 Flat Washer, and tighten. Be sure that the bracket "wing" on the engine stop switch side captures the edge of the conduit.

STEP 12 Disassemble the right lower switch housing. See PIC. 3. Carefully cut the cable strap holding the wire conduit to the turn signal switch bracket.

STEP 13 Remove the Phillips head screw near the securing bracket at the center of the housing. Lift the bracket and turn signal switch from the housing.

STEP 14 Remove brake light switch and wedge. See PIC. 4.

- Gently pry out the wedge between the switch housing and the brake switch and save the wedge for reassembly.
- Gently push the brake light switch into the switch housing with your thumb. Gently pull up on the brake light switch assembly while rotating and rocking back and forth.
- Inspect the brake light switch rubber boot for damage and replace if necessary.

STEP 15 Remove the audio/cruise control switches; note how they were located to aid installation in the new switch housing.

STEP 16 Install the audio/cruise control switch in the lower chrome switch housing.

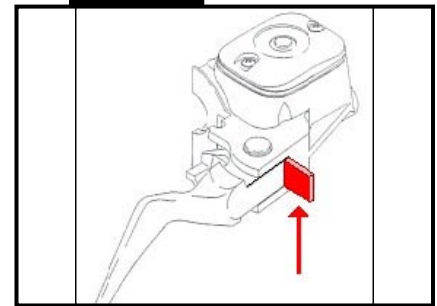
STEP 17 Reassemble right chrome lower switch housing. Place the brake light switch and wedge into the chrome lower switch housing. Place a small bead of silicone sealant into the wedge.

NOTE If the wires are routed incorrectly, they may be pinched by the casting or handlebar resulting in a switch failure.

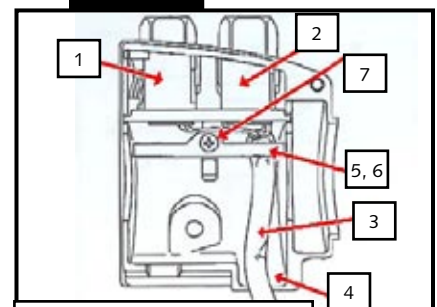
-cont.-

Kuryakyn

PIC. 1

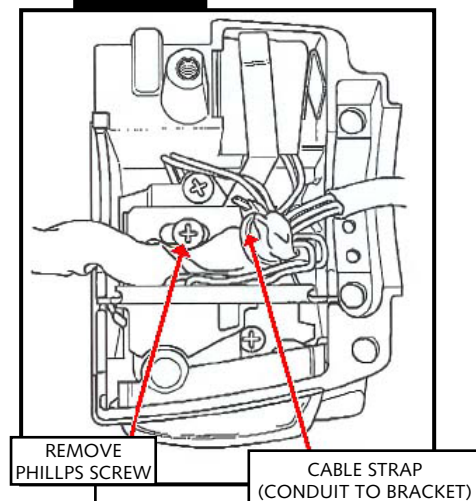


PIC. 2



- | | |
|----------------|-----------|
| 1 START SWITCH | 5 BRACKET |
| 2 STOP SWITCH | 6 WING |
| 3 CONDUIT | 7 SCREW |
| 4 CHANNEL | |

PIC. 3



PAGE

2

STEP 18 Place turn signal switch assembly and bracket into the housing cavity. Align the hole in the bracket with the threaded hole in boss. Be sure the bracket is fully seated.

STEP 19 Fasten the bracket to the inner housing using the stock 6-32 X 1/4" Phillips Head Cap Screw and a #6 Flat Washer, and tighten.

NOTE For '08-up models equipped with electronic throttles, insert the cable hole plugs into the holes in the bottom of the lower chrome switch housing.

STEP 20 Begin to reconnect upper and lower chrome switch housings by reconnecting the throttle and idle cables in the reverse fashion as they were removed in STEP 9.

- Push larger diameter throttle cable into the larger hole in front of the throttle tension adjuster screw.
- Push smaller diameter idle cable housing into the smaller hole behind the throttle tension adjuster screw.

NOTE At this point you can either install the OEM, or the supplied adjuster screw for tensioning the friction shoe. To remove the OEM adjuster screw from the stock switch housing, thread it in as far as it will go and remove the cir clip that retains it, then unscrew it from the housing.

STEP 21 Thread the adjuster screw of your choice into place and secure inside the switch housing with a supplied E clip.

STEP 22 With the lower switch housing concave side facing upward, install the supplied friction shoe so the pinhole is over the point of the adjuster screw. The friction shoe is a loose fit and may become dislodged if the switch housing is turned upside down or shaken.

STEP 23 Slide the throttle control grip into place and reinstall it.

STEP 24 Bring the upper and lower chrome switch housings into position. Verify that the conduit is in the depression at the bottom of the handle bar. Be sure the handle bar does not pinch the conduit when the switch housing fasteners are tightened.

NOTE The OEM switch housing uses a fastener directly in the middle of the top half housing. These replacement chrome switch housings feature a hidden fastener, which gives a much nicer appearance and a flowing upper finish. Both chrome switch housing fasteners will be inserted through the lower switch housing. Mounting holes are located at the right rear and the left front of the lower switch housing.

STEP 25 Start a 10-24 X 1/2" Torx fastener with a #10 split lock washer through the lower chrome switch housing fastener holes and into the upper switch housing. Using a 1/8" hex key, tighten the two switch housing fasteners to 35-45 inch pounds.

NOTE Do not remove the insert between the brake lever and the brake lever bracket that you installed in STEP 2.

STEP 26 Position the brake lever/master cylinder inboard of the switch housing assembly. Engage the tab on the lower switch housing in the groove at the top of the brake lever bracket.

STEP 27 Align the holes in the handle bar clamp with the holes in the master cylinder housing. Start the two OEM fasteners with flat washers and position the assembly for comfort. Beginning with the top fastener, tighten both fasteners to 60-80 inch pounds with a T27 Torx wrench.

STEP 28 Remove the insert between the brake lever and the lever bracket.

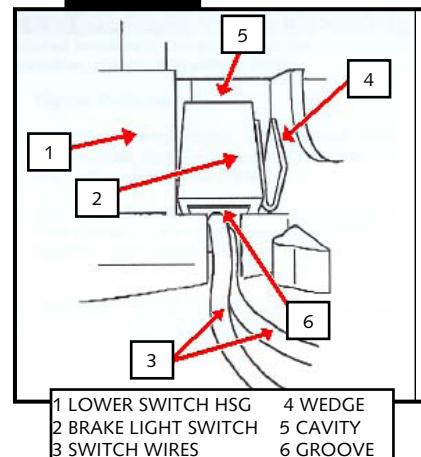
PROCEDURE - CLUTCH SIDE

ATTENTION! A factory service manual may be helpful in performing this installation. Do not attempt to perform this installation if you are not confident in your ability to complete all steps in the procedure; consult a trained technician.

-cont.-

Kuryakyn®

PIC. 4



PAGE
3

CHROME SWITCH HOUSING KIT

INSTALLATION

STEP 1 Using a T27 Torx wrench, remove the two fasteners and flat washers that secure the handle bar clamp to the clutch lever bracket. Remove clutch hand lever assembly and clamp from the handle bar.

STEP 2 Using a T25 Torx wrench, remove the upper and lower switch housing fasteners.

STEP 3 Disassemble the upper switch housing by removing the Phillips screw that secures the inner bracket holding the high/low beam switch and the horn switch to the housing.

STEP 4 Reassemble the upper chrome switch housing. Fasten the bracket holding the high/low beam switch and the horn switch to the inner housing using the stock 6–32 X 1/4" Phillips Head Cap Screw and a #6 Flat Washer, and tighten. Verify that the bracket wing on the high/low side captures the edge of the conduit.

STEP 5 Begin to disassemble the lower switch housing by carefully cutting the cable strap holding the conduit to the turn signal switch bracket.

STEP 6 Remove the Phillips head screw that secures the turn signal switch bracket to the housing and remove the bracket.

STEP 7 Remove the turn signal switch and bracket assembly; remove the clutch safety switch.

STEP 8 Remove the other phillips screw and plate; remove the audio control switches.

STEP 9 Install the audio control switches in the new chrome switch housings; Secure them with the plate and phillips screws from STEP 8.

STEP 10 Install the clutch safety switch then the turn signal switch and secure them with the phillips screw from STEP 6.

STEP 11 Install the turn signal switch bracket to the lower chrome switch using the stock 6–32 X 1/4" Phillips Head Cap Screw and a #6 Flat Washer and tighten.

STEP 12 Place the upper and lower chrome switch housings on the handle bar. Be sure that the ribs on the outboard side of both housings fit in the grooves molded into the grip.

STEP 13 Verify that the conduit is in the depression at the bottom of the handle bar. Also be sure that the conduit will not be pinched under the bar when the switch housing fasteners are tightened.

NOTE *The OEM switch housing uses a fastener directly in the middle of the top half housing. These replacement chrome switch housings feature a hidden fastener, which gives a much nicer appearance and a flowing upper finish. Both chrome switch housing fasteners will be inserted through the lower switch housing. Mounting holes are located at the right rear and the left front of the lower switch housing.*

STEP 14 Start a supplied 10–24 X 1/2" Torx fastener with a #10 Split Lock Washer through the lower chrome switch housing fastener holes and into the upper switch housing but DO NOT tighten at this time.

STEP 15 Position the clutch hand lever assembly inboard of the switch housing assembly. Engage the tab on the lower switch housing with the groove at the bottom of the clutch lever bracket.

STEP 16 Align the holes in the handle bar clamp with the holes in the clutch lever bracket. Start the two OEM fasteners with flat washers and position the assembly for comfort. Beginning with the top fastener, tighten both fasteners to 60–80 inch pounds with a T27 Torx wrench.

STEP 17 Using a 1/8" hex key, tighten the two switch housing fasteners to 35–45 inch pounds.

STEP 18 Reconnect the battery and test all switches for proper function.

PAGE

4

Ride On!