

**1** Slide comp onto the front of the firearm.

**2** Snap pic rail provided into place (should be easy to snap in). Make sure comp is sitting flush on the firearm.

**3** Install two (**shorter**) screws into the bottom of pic rail.

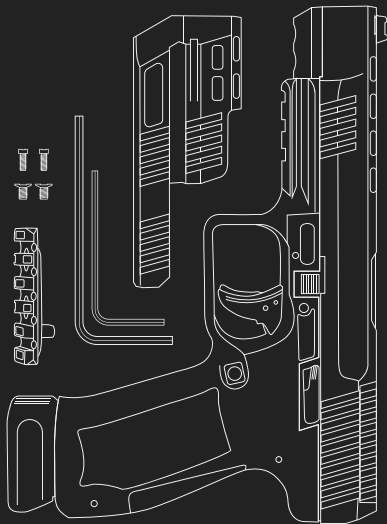
**4** Install two (**longer**) screws into the side of the pic rail. Make sure everything is tightened up and in place.

# INSTALLATION INSTRUCTIONS

Make sure everything is tightened up and in place.

**Tools Needed:** 3/32" Allen Wrench, 7/64" Allen Wrench.

**IMPORTANT:** If screws are not threading in easily, do not force. Replace with an extra screw provided in the bag. Nothing should be forced into place. If you are having any issues getting the comp to attach, please do not use and contact us for a replacement.



45BLAST

TP9SFX