

**LESSON 9****Simple circuit and components****Watch video  
Lesson 9**

Here we have the schematic diagram with the electronic components layed out next to their schematic symbol.

The LED has the short lead, or negative side on the left to match with the schematic symbol.

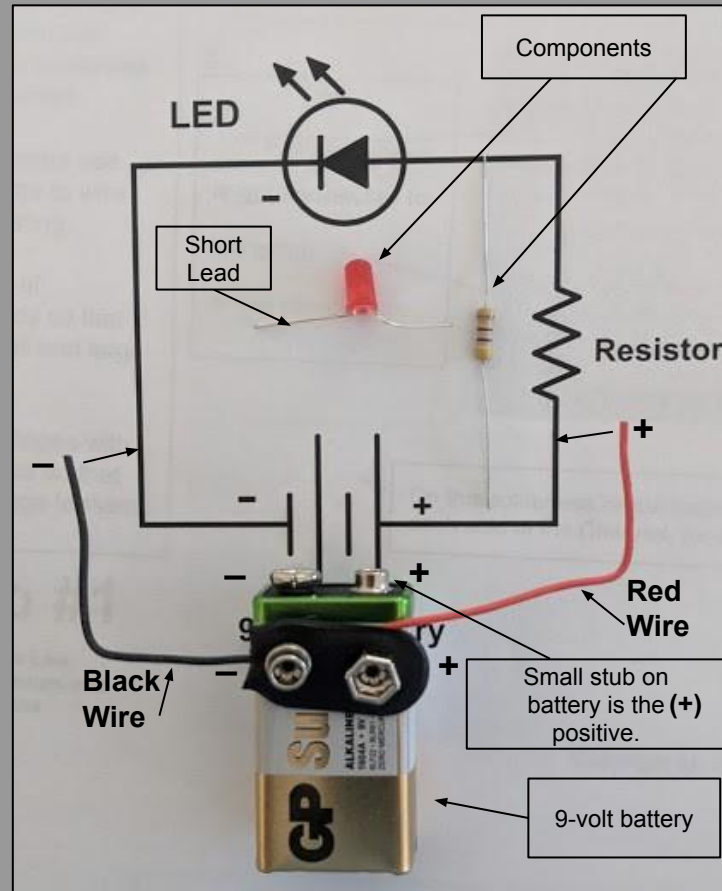
A physical resistor is laying next to its schematic symbol.

The 9-volt battery and battery snap are set up to match the positive and negative of the the battery.

The small stub on the battery is the positive and fits into the larger clip on the battery snap. The larger clip is connected to the red snap wire.



Practice Quiz



Copyright Mr Circuit Technology 2023

Answer these questions	Activity Page Lab 1201	Simple circuit and components	9b
<p>(1) Is the short lead on the LED the negative or the positive?</p> <p>_____</p> <p>(2) On the 9-volt battery, is the small stub the positive?</p> <p>_____</p> <p>(3) On the 9-volt battery snap, is the large clip the positive?</p> <p>_____</p> <p>(4) A 9-volt battery snap has two connections, one for positive and one for:?</p> <p>_____</p>	<p>(5) How many resistors are in this simple circuit?</p> <p>_____</p> <p>(6) How many LEDs are in this simple circuit?</p> <p>_____</p> <p>(7) What color is the negative lead on the 9-volt battery snap?</p> <p>_____</p> <p>(8) Is this circuit operating on a cell or a multicell power source?</p> <p>_____</p> <p>Copyright Mr Circuit Technology 2023</p>	<p>(9) What is the total quantity of components in this circuit?</p> <p>_____</p> <p>(10) What do the arrows on the LED symbol indicate?</p> <p>_____</p> 