

LESSON 8

Build a simple circuit

Watch video
Lesson 8



Here is a schematic diagram for a simple series circuit made up of a battery, a resistor and an LED.

There are 3 schematic symbols in this circuit. You should know them by now.

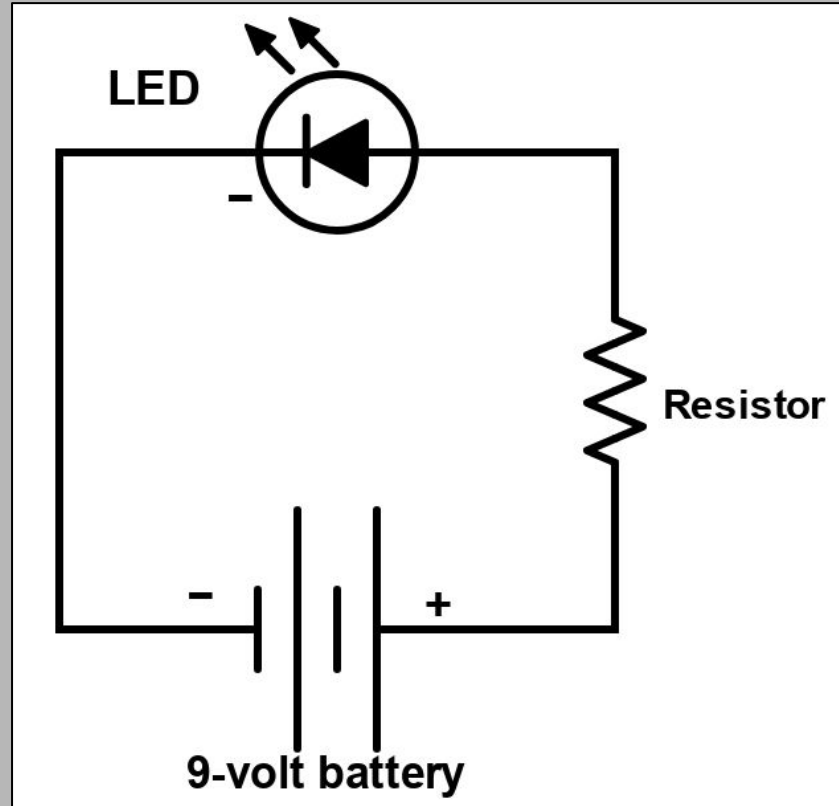
In this circuit, the electrons leave the negative side of the battery and travel through the LED, then through the resistor and back to the positive side of the battery.

This flow of electrons will cause the LED to light up.



Practice Quiz

Schematic Diagram of a simple circuit



Copyright Mr Circuit Technology 2023

Build a simple circuit

Activity Page Lab 1201

8b

On this page, draw the schematic of the simple circuit on Page 8a. Label all the components with their names.



Copyright Mr Circuit Technology 2023