

LESSON 2
Introduction to the battery

Watch video
Lesson 2



Inside a 9-volt battery are 6 small 1 1/2 volt cells that are connected in series giving a total of about 9 volts DC.

On the right, you see six 1.5 volt cells connected in series.

The cells inside a 9-volt battery are much smaller. The larger the cell, the longer it will last. **Two or more cells in series is called a battery.**

The schematic symbol for a battery of any voltage is the **multi-cell symbol** and the symbol generally shows just 2 or 3 cells.



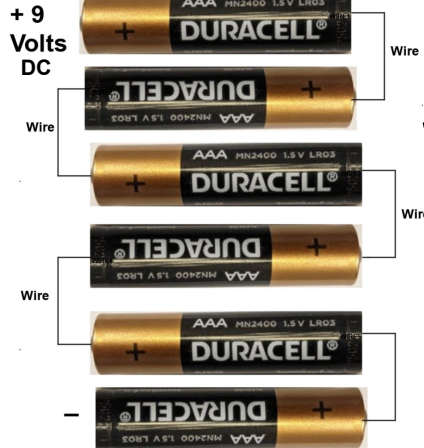
Practice Quiz

Picture

A 9-Volt Battery is a multi-cell device

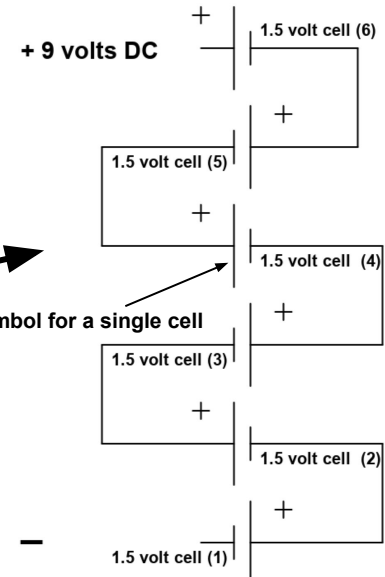
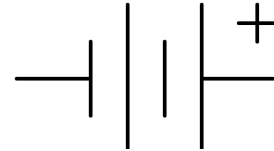


These Size AAA cells shown here are technically not batteries even though most people call them batteries.



Schematic Symbol

The symbol for a battery is this **multi-cell battery symbol** shown here



Symbol for a single cell

Copyright Mr Circuit Technology 2023

**Introduction to
Components**

Activity Page Lab 1201

2b

On this page, draw a schematic of six 1.5 volt single cells to make a nine volt battery. Label the + and - ends.

