

### SPECIFICATION SHEET



JOB NAME:

LOCATION:

QUOTE/REF#:

### SPECIFICATIONS

- Input Voltage:** 12V-24V DC
- Output Power:** 5A x 4CH
- Output Channels:** 4
- Input:** 2 Wire (Positive + / Negative -)
- Output:** 5 Wire RGBW (Positive+)
- Max Load:** 240 Watts (12V DC)  
480 Watts (24V DC)
- Working Temp:** -4° F ~ 140° F
- Environment:** Dry Location
- IP Rating:** IP20
- Control Range:** RF Remote Control Radius up to 90 feet (line of sight)
- Previous Mode on Power Cycle:** Yes
- Static Colors:** 4 trillion + Choices
- Modes:** 37 Color Changing Modes
- Controller Size:** 6.9 in. L x 1.8 in. W x 1.8 in. H  
176 mm L x 45 mm W x 30 mm H
- Remote Size:** 3.94 in. L x 1.54 in. W x 0.25 in. H  
100 mm L x 39 mm W x 6 mm H
- Labels:** CE, FCC, RoHS
- Warranty:** 2 Year Limited
- Required:** Requires a non-dimmable 12V DC or 24V DC LED Driver.

### DESCRIPTION

The RGBW LED Rotary Knob Controller with Remote is easy to install and use. It is designed perfectly for RGB or RGBW LED tape lights, led modules, etc. or 12V DC - 24V DC constant voltage lights.

### KEY FEATURES

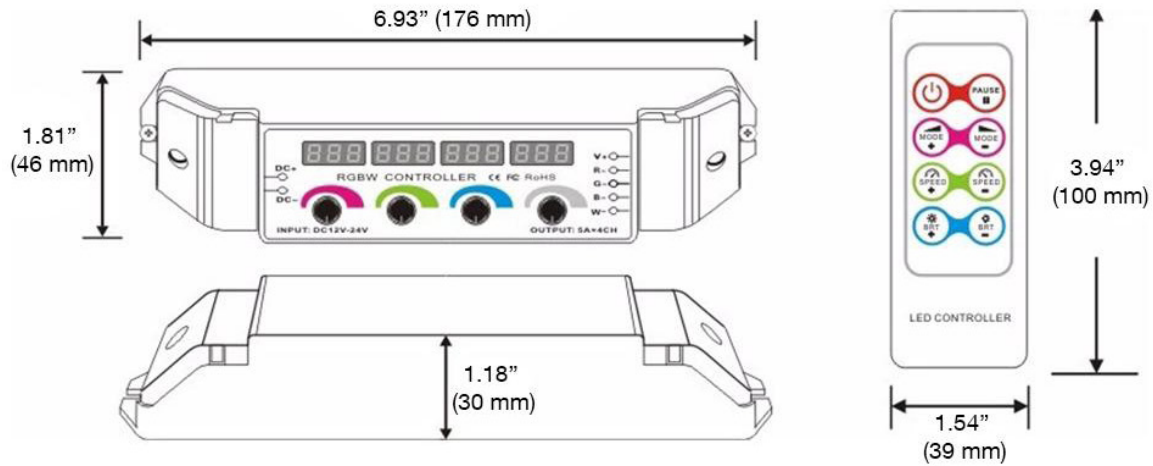
- 12V and 24V DC Operation
- Built-in digital display with rotary knobs
- 16 Speed and Brightness Levels
- 37 changing modes such as skipping, smooth, etc.
- 0-255 dimming values of your Red, Green, Blue, and White output levels.
- Save your DIY color Automatically
- It can be adjusted by supplied remote control.
- Over-current protection and short circuit protection

### APPLICATIONS

- Trade Show & Exhibit Lighting
- Retail Display Lighting
- Architectural Lighting
- Hotels, Casinos, and Clubs
- Custom Lighting Shows
- Stage Lighting

## SPECIFICATION SHEET

### DIMENSIONS



### WIRING DIAGRAM

