

## SPECIFICATION SHEET

JOB NAME:

LOCATION:

QUOTE/REF#:



### DESCRIPTION

Introducing the LED Track Module Light—an innovative solution for backlit graphics boxes. Designed for PVC linear track systems, it offers effortless installation with a simple twist-on design.

Connect up to 20 modules per track, achieving vibrant and uniform illumination. With energy efficiency, durability, and stunning aesthetics, elevate your visual displays to new heights. Experience the future of lighting today.

### KEY FEATURES

- Effortless twist-on installation to PVC linear track systems
- Scalable with up to 20 modules per track
- Vibrant and uniform illumination
- Energy-efficient LED technology
- Durable construction for long-lasting performance
- Versatile for various backlit graphics box applications
- Sustainable and cost-effective

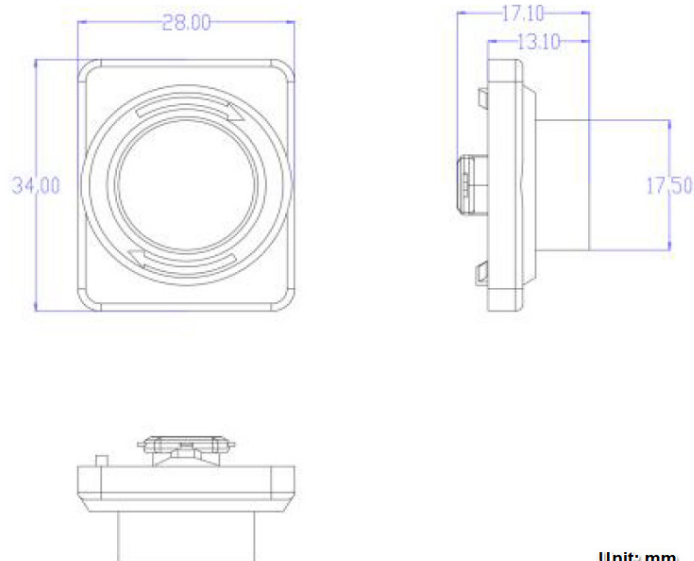
### SPECIFICATIONS

<b>Brightness:</b>	200 Lumens
<b>Power:</b>	2 watt
<b>Input Voltage:</b>	12V DC
<b>LED CCT:</b>	3000K, 4000K, 6500K, Red, Green, or Blue
<b>CRI:</b>	80+
<b>Dimmable:</b>	No
<b>IP Rating:</b>	IP20
<b>Environment:</b>	Indoor Use - Dry Location
<b>Beam Angle:</b>	50°
<b>Length x Width:</b>	1.33 in (34 mm) x 1.1 in (28mm)
<b>Diameter:</b>	0.67 in (17.1 mm)
<b>Manufacturer:</b>	Elumalight
<b>Rating:</b>	ETL Listed
<b>Avg. Lifetime:</b>	± 30,000 - 50,000 hours
<b>* Required:</b>	Mini Track, Power Feed, and 12V DC LED Power Supply. (sold separately)

### APPLICATIONS

- Tradeshow
- Exhibit
- Retail Displays
- SEG Graphics Box

### DIMENSIONS



Unit: mm