

### SPECIFICATION SHEET

JOB NAME:

LOCATION:

QUOTE/REF#:



### DESCRIPTION

The Elumalight selection of LED Dimmable Constant Voltage Magnetic Drivers have the highest accuracy rating in the industry, delivering accurate dimming power. The 12V DC Drivers are generally used when you need stable voltage to your LED lights.

The primary manually reset circuit breaker is standard on the LED Class 2 Magnetic Dimmable Drivers. Two section bobbin provides complete insulation between the primary and secondary sides. Encapsulated with polyester resin for whisper-quiet operation. Small dimensions and weight saves space and lowers an installation cost. The outdoor enclosure rated NEMA 3R or IP24. See specifications for more details.

### SPECIFICATIONS

- Input Voltage:** 120V AC 60 Hz
- Output Voltage:** 12V DC
- Power:** 100 Watt
- Dimmable:** Yes, 100% - 0% dimming
- Efficiency:** 85%
- Operating:** ~45°C - 70°C
- Power Method:** Hardwire
- Dimensions:** 8.13 in. L x 3.93 in. W x 1.59 in. H
- Housing Finish:** The enclosure is Black Powder Coated Steel, NEMA 3R rated
- Environment:** Dry or Damp Location
- IP Rating:** IP24
- Rating:** Conforms to UL  
Certified to CSA  
ETL Listed
- Manufacturer:** Elumalight
- Warranty:** 5 Year Limited

### KEY FEATURES

- Class II rated magnetic LED drivers
- Easy installation
- Maintenance-free
- Solid-state construction
- High vibration and shock resistance
- Overload, short circuit, and overheat protection
- No RF interference
- UL Listed, CUL Listed, RoHS, CE
- Long lifespan

### APPLICATIONS

- For use with compatible Dimmers and Constant Voltage 12V DC LED lights

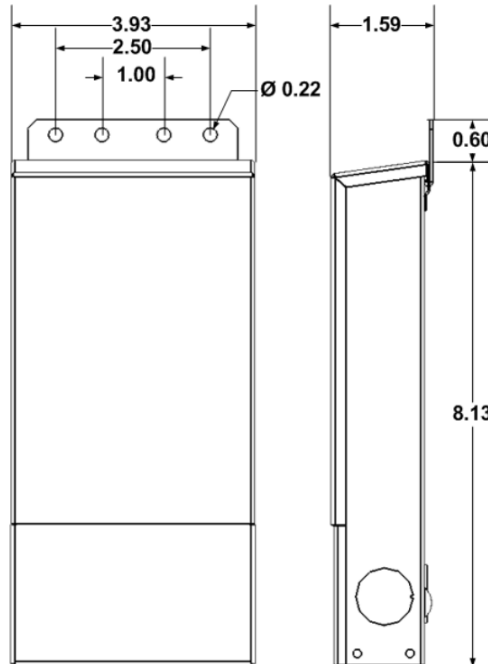
### SPECIFICATION SHEET

JOB NAME: \_\_\_\_\_

LOCATION: \_\_\_\_\_

QUOTE/REF#: \_\_\_\_\_

### Dimensions (Unit: in.)



### Wiring Diagram

