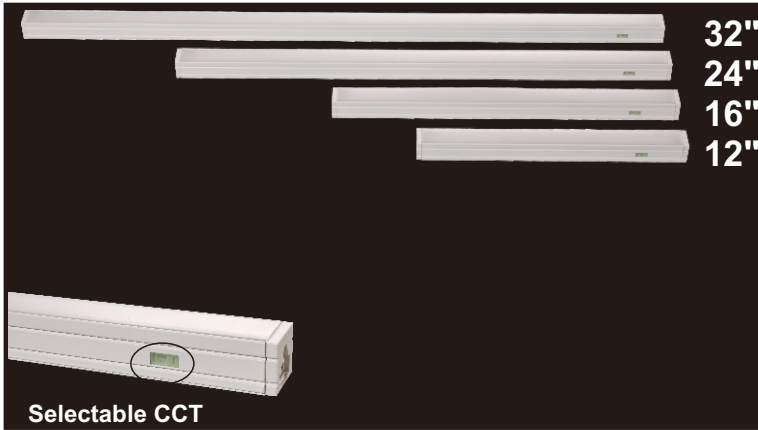


EL-L-xxWH/BZ-CCT

LED CCT SELECTABLE ALPHA DIMMABLE LIGHT BARS 120V AC



Description:

LED CCT Selectable Alpha Dimmable Light Bars are ideal for displays, exhibitions, under-cabinet, cove lighting applications. It combines energy efficiency and modern style with its ultra-premium diffuser, eliminating hot spots for a uniform, smooth beam of light.

Length Options: 12", 16", 24", or 32"

Fixture includes:

Two Angle adjustable mounting brackets, sets 0-90°
Direct end to end connector.

Order SKU	Description
EL-L-12WH/BZ-CCT	12" 120V-10 watts 750 lumens CRI90
EL-L-16WH/BZ-CCT	16" 120V-13 watts 950 lumens CRI90
EL-L-24WH/BZ-CCT	24" 120V-20 watts 1500 lumens CRI90
EL-L-32WH/BZ-CCT	32" 120V-26 watts 2000 lumens CRI90

- EL-L-JBOX-WH Small Direct wire junction box no switch
- EL-L-JB-WH/BZ Direct wire junction box with switch
- EL-L-OCS-WH/BZ Direct wire Occupancy sensor box with switch (Junction Box is under UL1598 standard as hardwired junction box available color is white and bronze.)

- EL-L-JMP-BK/WH-6 6" Jumper/flex cord
- EL-L-JMP-BK/WH-12 12" Jumper/flex cord
- EL-L-JMP-BK/WH-24 24" Jumper/flex cord
- EL-L-JMP-BK/WH-72 72" Jumper/flex cord
- EL-L-HPF-BK/WH 72" Hardwire direct power cord
- EL-L-PF-BK/WH 72" 3 Prong Cord & plug set

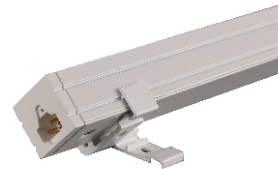


(Portable UL153 standard listing)

Power cords are available in **black or white** color only.
LED Performance

- LED: 2835-4
- CCT: 3000K, 3500K, 4000K Selectable CCT
- CRI: >90+ CRI
- LIFE: 70% of initial lumens after 50,000 hrs
- Warranty: 5 Year Limited Fixture Warranty

All accessories are sold separately.



Adjustable Mounting Clips



EL-L-JBOX-WH



EL-L-JB-WH/BZ



EL-L-OCS-WH/BZ

Finishes:



Bronze (BZ)

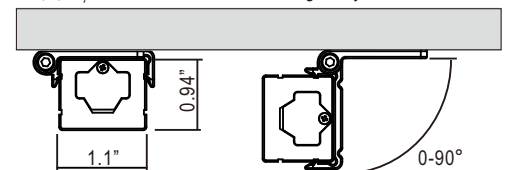


White (WH)

Dimensions:

H=0.94", W=1.1"

angle adjustable



Technical Specs

- 4 different sizes dimmable Linear LED fixtures
- 7~26 W fully dimmable fixtures
- UL 1598, UL 153 listing. **JA 10, JA 8 available
- Listing for hardwired and portable application
- Dimmable (with Dimming Driver)
- Linkable up to 400 watt
- Comply with Energy Star certifications.

Specifications

Product SKU	EL-L-12xx-CCT	EL-L-16xx-CCT	EL-L-24xx-CCT	EL-L-32xx-CCT
Watt (MAX)	10W	13W	20	26
LED Wattage Replacement	60W	70W	120W	150W
LED quantities	60	84	120	168
LED Type	2835	2835	2835	2835
Brightness (Lumens)	750	1000	1500	1950
Luminaire Efficacy (lm/W)	> 75	> 75	> 75	> 75
Tested dimmer reference	Lutron DV600	Lutron DV600	Lutron DV600	Lutron DV600
Color Temperature CCT selectable	3000,3500,4000K	3000,3500,4000K	3000,3500,4000K	3000,3500,4000K
Color Rendering Index	90	90	90	90
Beam angle	120°	120°	120°	120°
Dimming Standard	Class2+Triac dimming	Class2+Triac dimming	Class2+Triac dimming	Class2+Triac dimming
Input Voltage (V / AC)	120V	120V	120V	120V
Frequency (Hz)	60	60	60	60
Power mode	Isloate power supply	Isloate power supply	Isloate power supply	Isloate power supply
Power factor	≥0.9	≥0.9	≥0.9	≥0.9
Dimensions	304mm 12"	406mm 16"	609mm 24"	812mm 32"
Base Connection	Hardwire/Portable	Hardwire/Portable	Hardwire/Portable	Hardwire/Portable
Operating ambient temp.(°C)	-10~40	-10~40	-10~40	-10~40
Relative ambient humidity (RH%)	60%	60%	60%	60%
Ingress Protection (IP)	20	20	20	20
Material	Aluminum+Plastic	Aluminum+Plastic	Aluminum+Plastic	Aluminum+Plastic
Lifespan (L70 Life)	50,000h	50,000h	50,000h	50,000h
LM80	YES	YES	YES	YES
Certification Standard	UL1598+153	UL1598+153	UL1598+153	UL1598+153



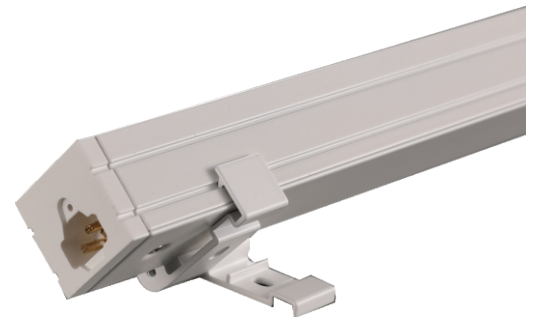
Standard three selectable CCT 3000K, 3500K, 4000K



3 wire system | UL listed | >75 LMW



3 wire jumper connector



Fully adjustable mounting brackets

LINE VOLTAGE LINEAR DIMMABLE LED LIGHT 120VAC 60HZ

Product code	Description	Rating
	12" 72 LEDs	10W
	16" 96 LEDs	13W
	24" 144 LEDs	20W
	32" 192 LEDs	26W

Available in two Finishes:White/Bronze
and three Color temperatures:3000K/3500K/4000K
For parts and accessories,please refer to product catalog.

Junction Box application:

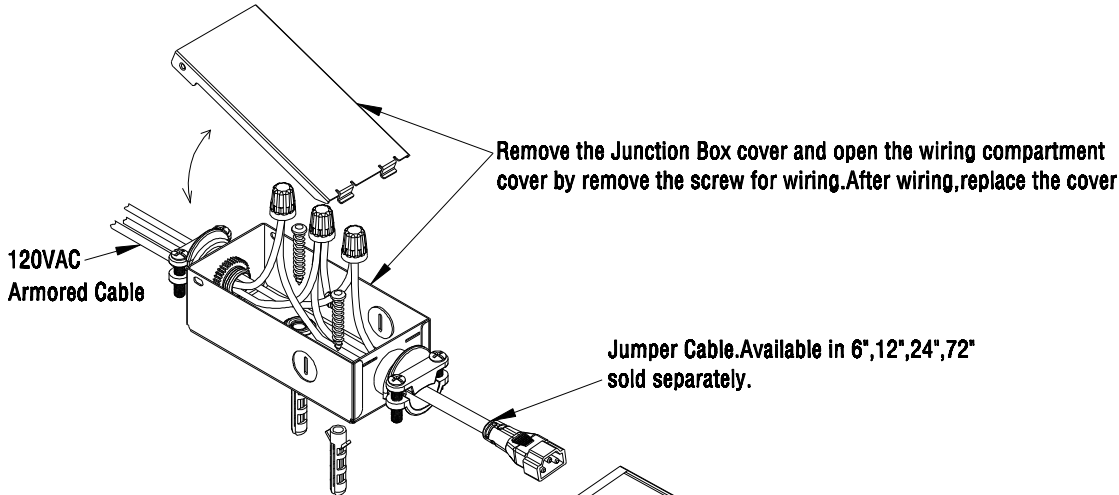
Junction Box sold separately

INSTALLATION SHOULD BE CARRIED OUT BY YOUR LOCAL ELECTRICIAN.

ALWAYS TURN OFF MAIN POWER BEFORE INSTALLATION

Caution:

- 1.Always turn off power prior prior to installation or replacement
- 2.Risk of electric shock.Do not use any connection pin to touch any electrical conductors.
- 3.Do not press directly on the top cover,as it may cause damage.
- 4.For indoor use only.Do not use the product in a potentially combustive environment or outdoors.
- 5.Only connect to adjacent units,300W Maximum
- 6.Can use with portable cabinet light accessory providing ten foot total cord lenght



Mounting brackets

Secure supplied mounting brackets to surface.
Note:Adjustable mounting brackets only pivot in one direction.Decide which direction si required if planning on adjusting and mount accordingly.
To adjust pivot angle follow A-B

A.Then adjusting tightness by screw driver then tighten the set screw

