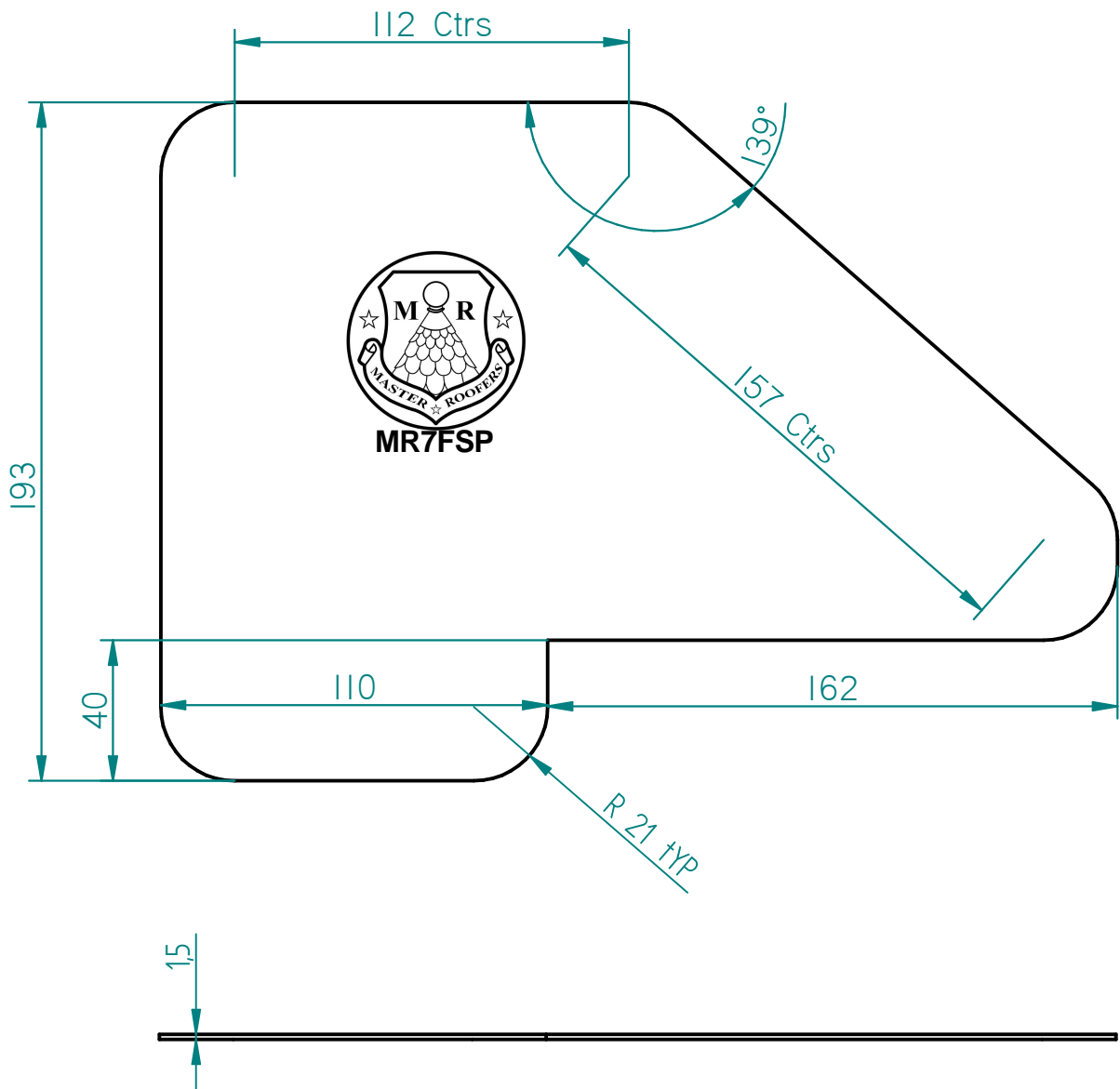
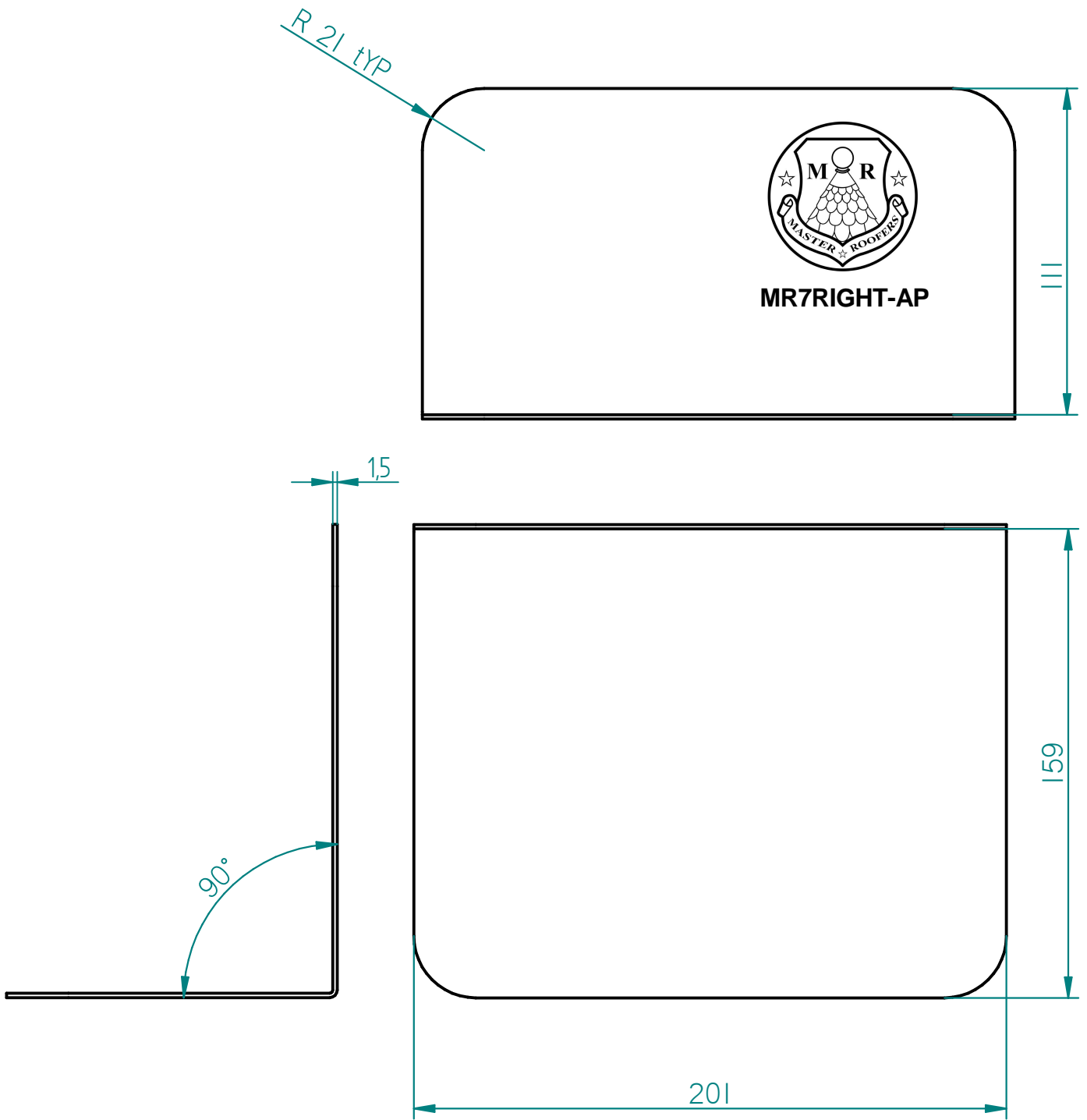


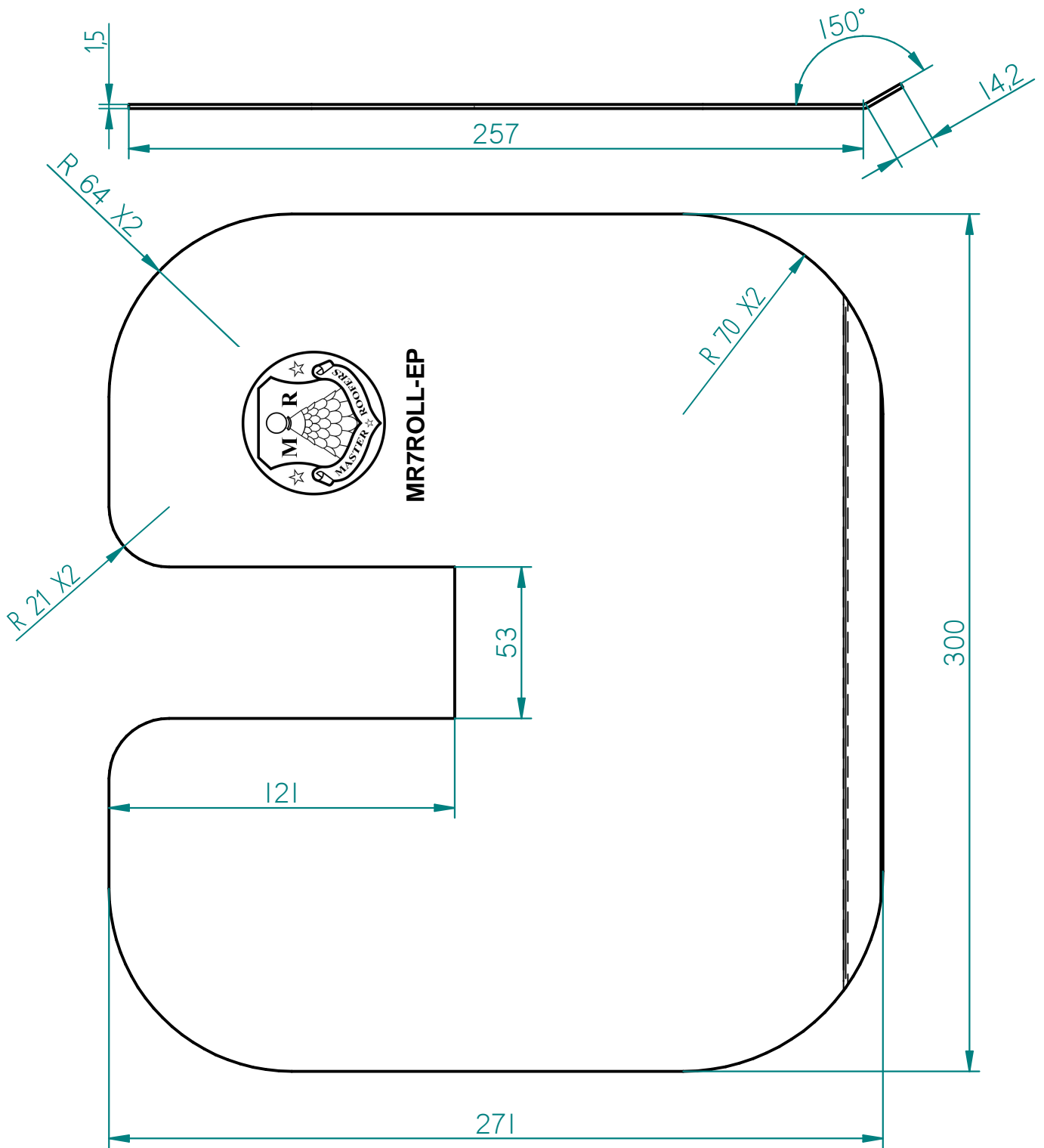
CORNER PLATE



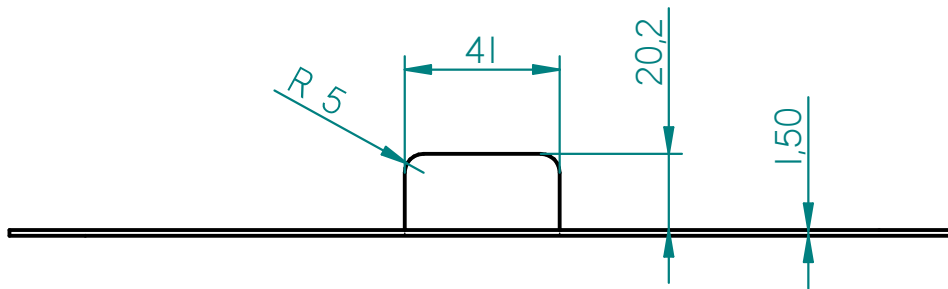
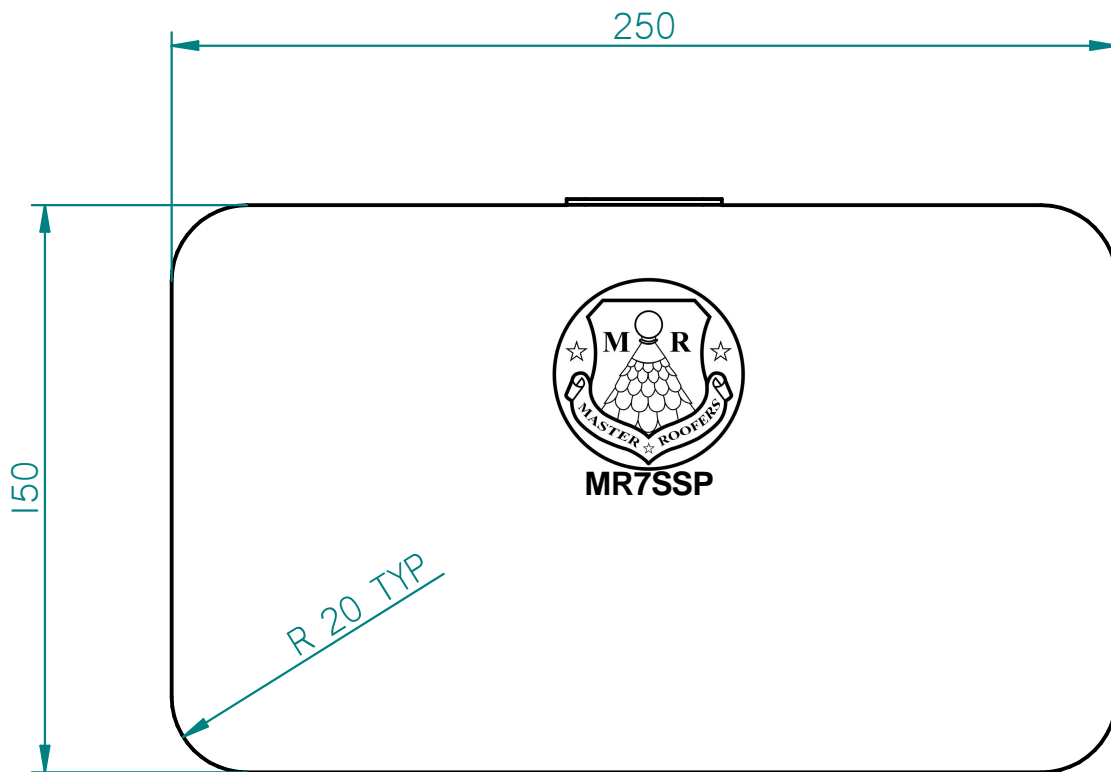
FRONT STEP PLATE



RIGHT ANGLE PLATE



ROLL END PLATE



STANDARD SLIDE PLATE