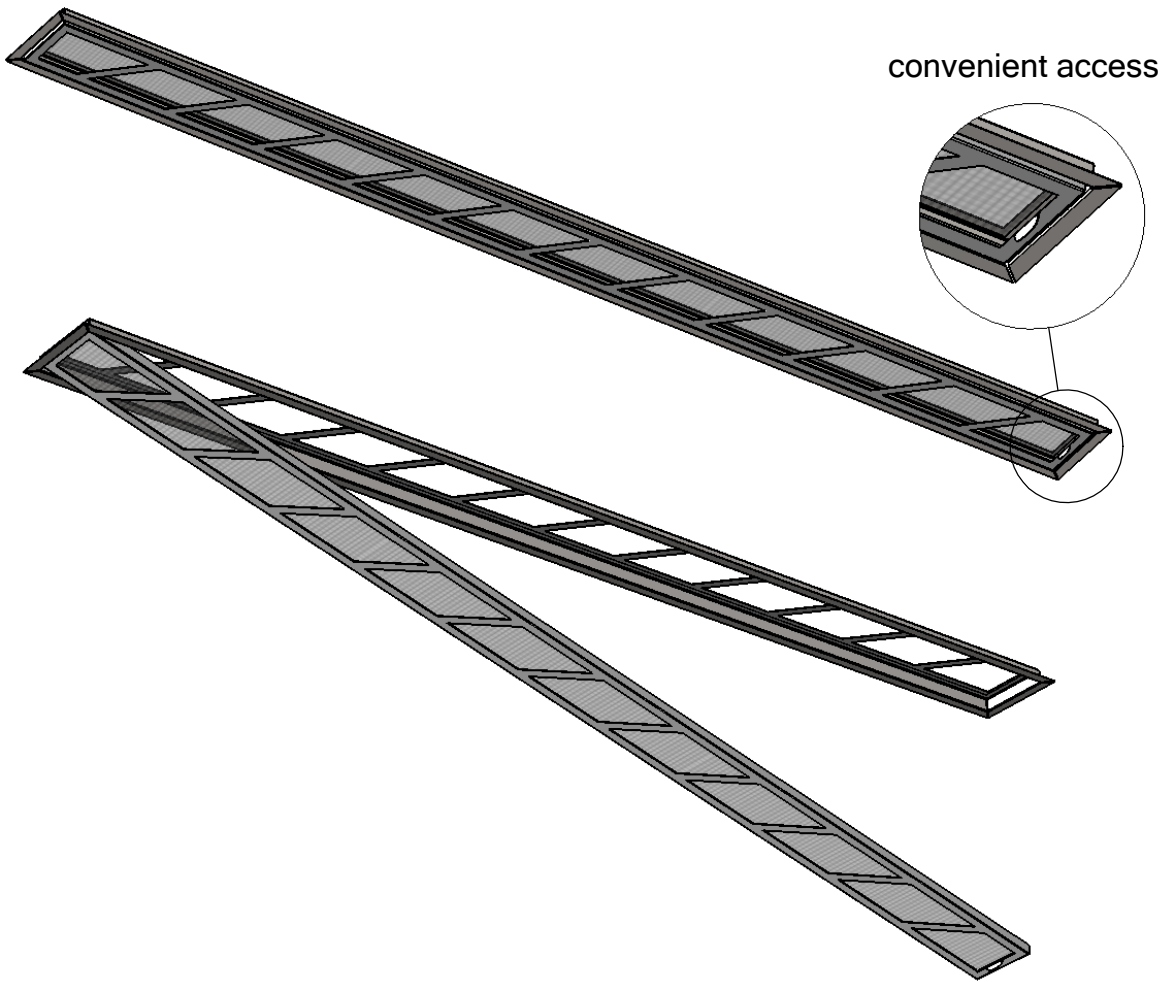
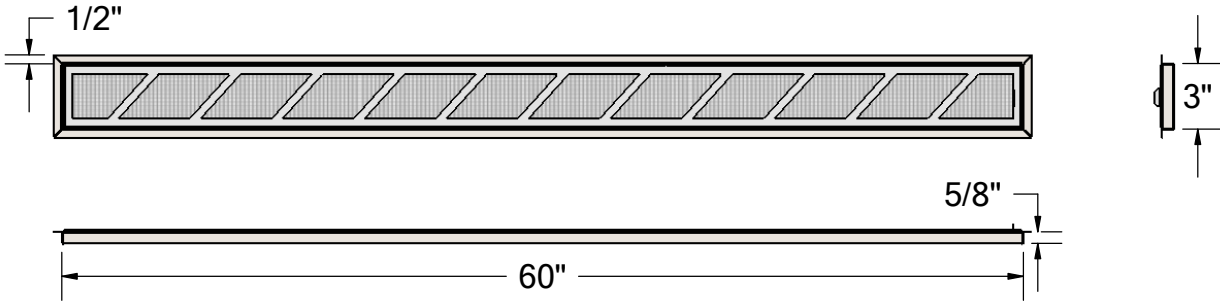




1895 Gillespie Way, El Cajon, CA 92020
 tel: (619) 448-3567
 fax: (619) 448-9072 tbirdusa.com

EMBER-RESISTANT INSPECTION VENT

Rigorously tested to ASTM standards to prevent ember intrusion through the inspection vent.
 Available in 1/32" aluminum or stainless steel. 60" standard length. Custom sizes and materials available.



PART #	LENGTH	NET FREE AREA	BODY MATERIAL
ALIV60	60"	50 in ²	1/32" aluminum
SSIV60	60"	50 in ²	stainless steel

Data is subject to manufacturing tolerances.