

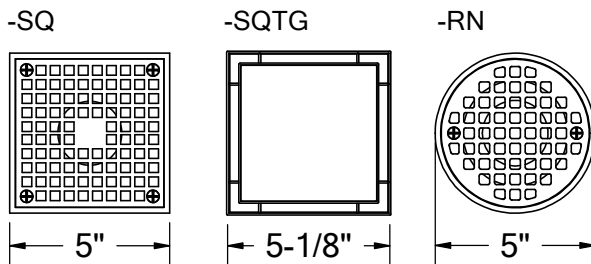
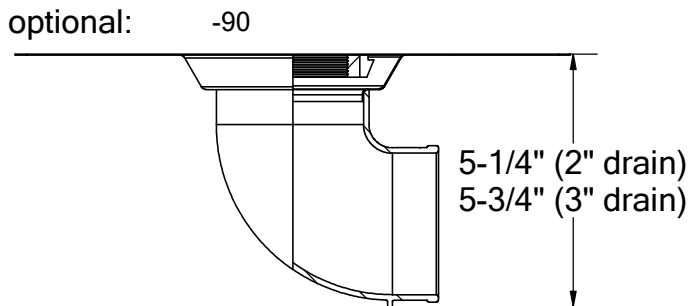
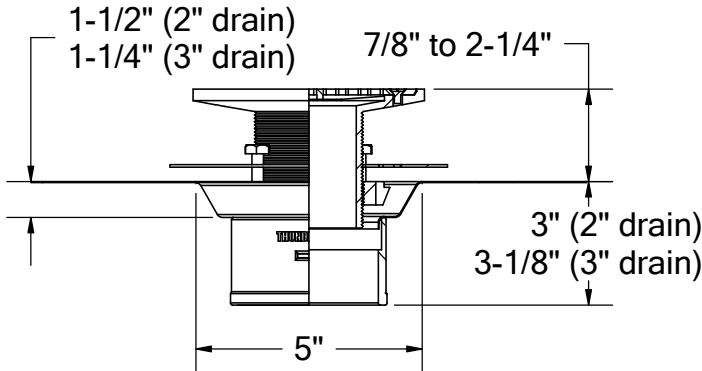
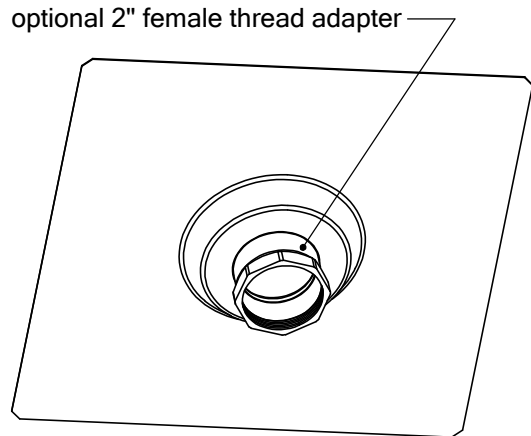
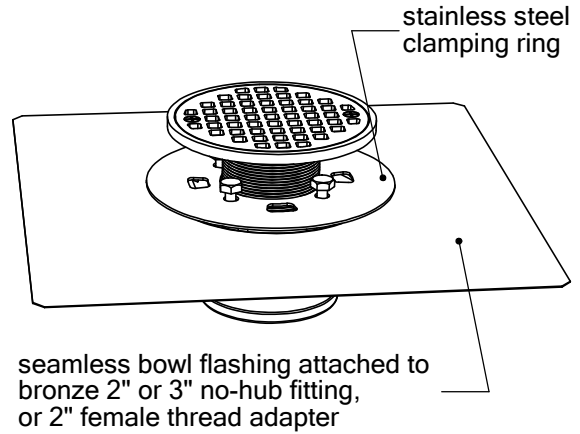
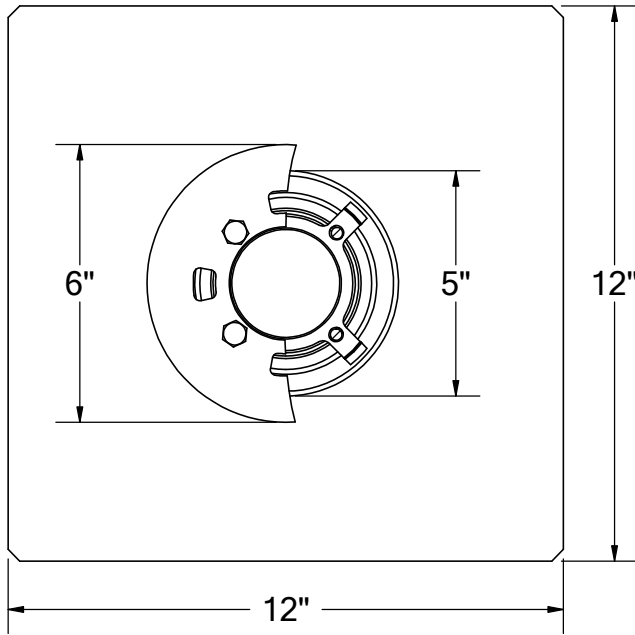


1895 Gillespie Way, El Cajon, CA 92020
 tel: (619) 448-3567
 fax: (619) 448-9072 tbirdusa.com

SHOWER DRAIN



16 oz copper or 316 grade stainless steel flange. Stainless clamp ring. Adjustable 5" square or 5" round nickel-bronze grates, or 5" square tile-in grate. Polished chrome and oil-rubbed grate finishes available. Available in 2" or 3" outlet sizes.



PART #	
SD2NH	2" no-hub outlet
SD2FTA	2" female thread adapter
SD3NH	3" no-hub outlet *
OPTIONS	
	16 oz copper flange
S-	316 stainless steel flange
-90	90° outlet connection
-SQ	square grate, ni-bronze, 5" x 5", 8.84 in ² free area
-SQTG	square tile-in grate, stainless, 5" x 5", 5.47 in ² free area
-RN	round grate, ni-bronze, 5", 5.88 in ² free area
GRATE FINISH	
-CG	polished chrome
-ORB	oil-rubbed bronze

Data is subject to manufacturing tolerances.

* excluded from ICC-ES listing