

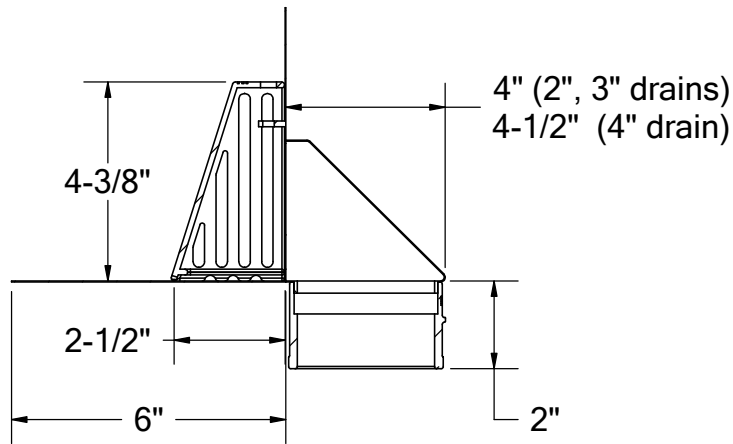
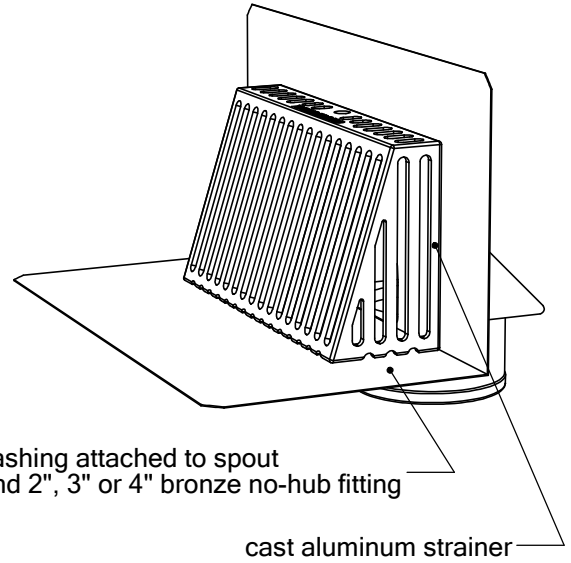
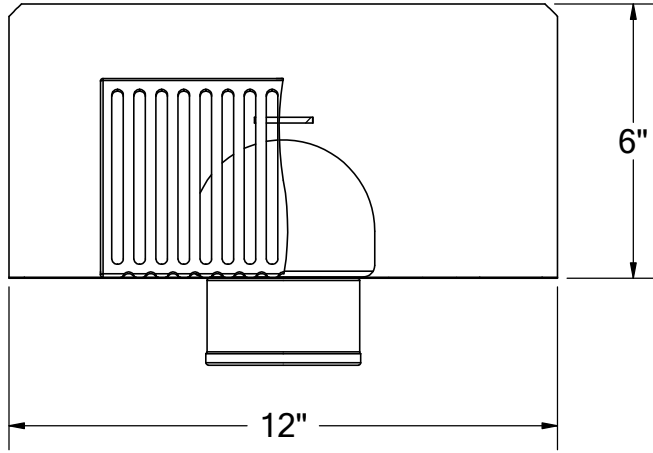


1895 Gillespie Way, El Cajon, CA 92020  
 tel: (619) 448-3567  
 fax: (619) 448-9072    tbirdusa.com

# INSIDE-WALL PARAPET DRAIN



16 oz copper, 316 grade stainless steel, or TPO/PVC-clad stainless steel flange. Includes aluminum dome strainer.  
 Available in 2", 3" and 4" outlet.



PART #	
PDND2NH	2" no-hub
PDND3TA	3" male thread
PDND3NH	3" no-hub
PDND4NH	4" no-hub *
OPTIONS	
	16 oz copper flange
S-	316 stainless steel flange
TPO-	TPO-clad stainless flange
PVC-	PVC-clad stainless flange

\* excluded from ICC-ES listing