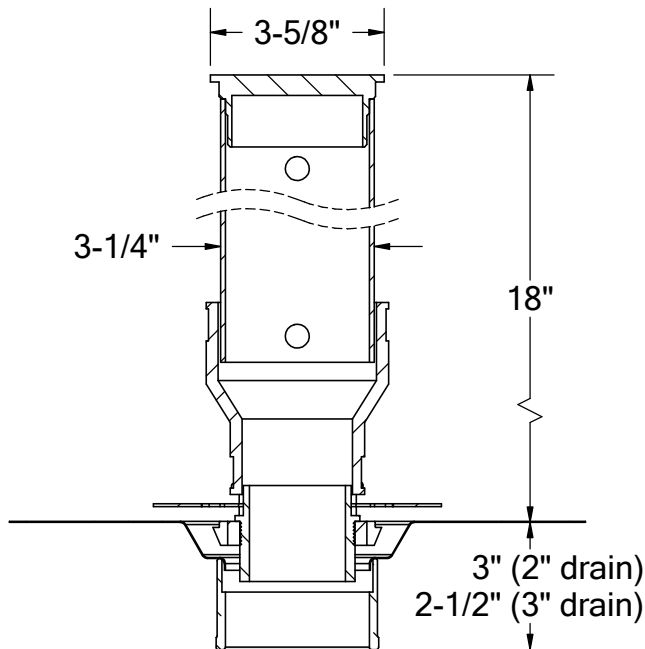
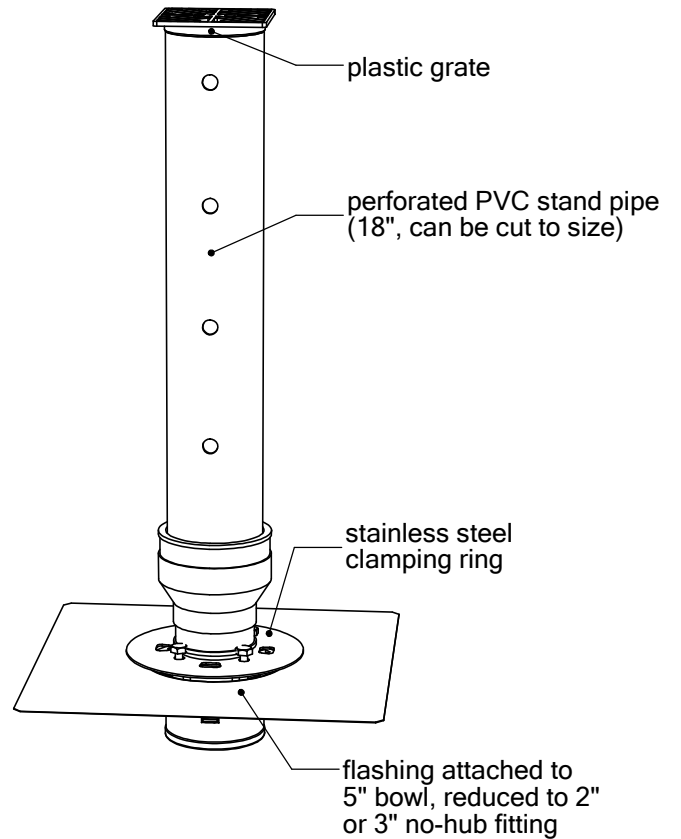
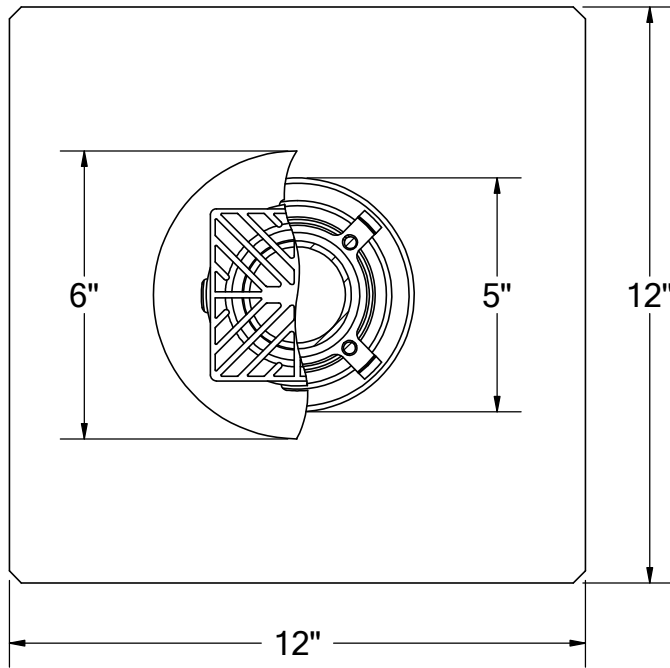




1895 Gillespie Way, El Cajon, CA 92020
 tel: (619) 448-3567
 fax: (619) 448-9072 tbirdusa.com

PLANTER BOX DRAIN

16 oz copper or 316 grade stainless steel flashing. Stainless steel clamping ring. Supplied with 18" PVC stand pipe and plastic grate. PVC pipe can be cut to smaller lengths.



Installation:

1. Mechanically attach drain flashing to subfloor/planter box.
2. Apply waterproof membrane over drain flashing.
3. Install clamping ring with four screws.
4. Set optional positive weep protector over drain opening.
5. Install 2" threaded ABS adapter into drain opening.
6. Cut and install drainage pipe to required height.

PART #	
BDPB2NH	2" no-hub
BDPB3NH	3" no-hub
OPTIONS	
	16 oz copper flashing
S-	stainless steel flashing
	positive weep protector
GRATE FREE AREA	
plastic grate	4.4 in ²