

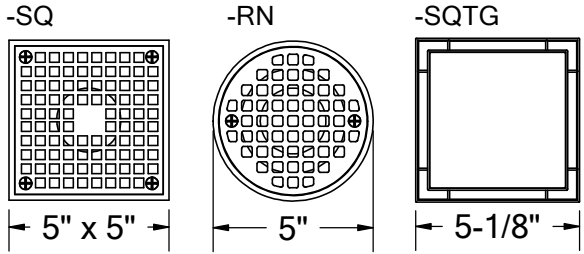
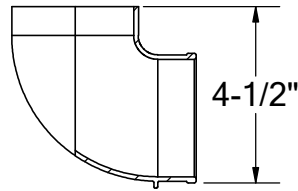
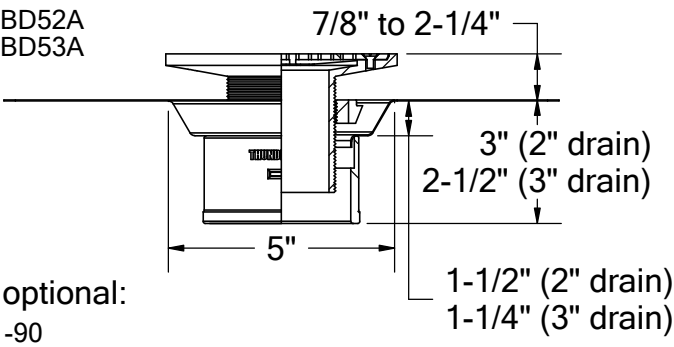
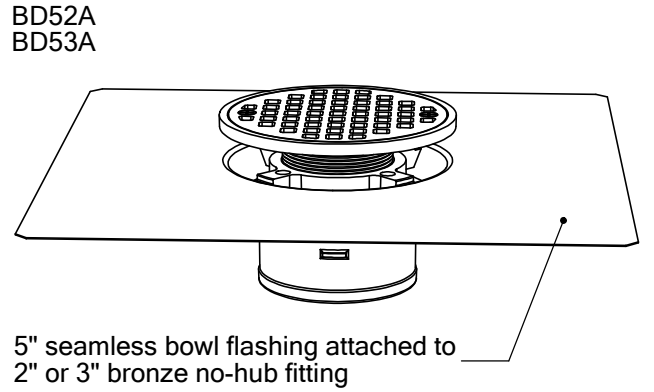
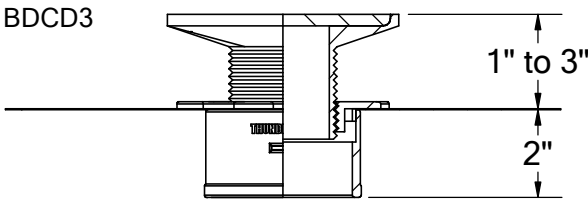
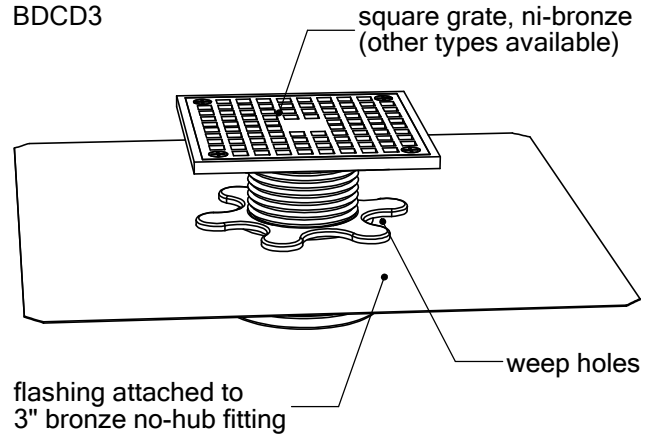
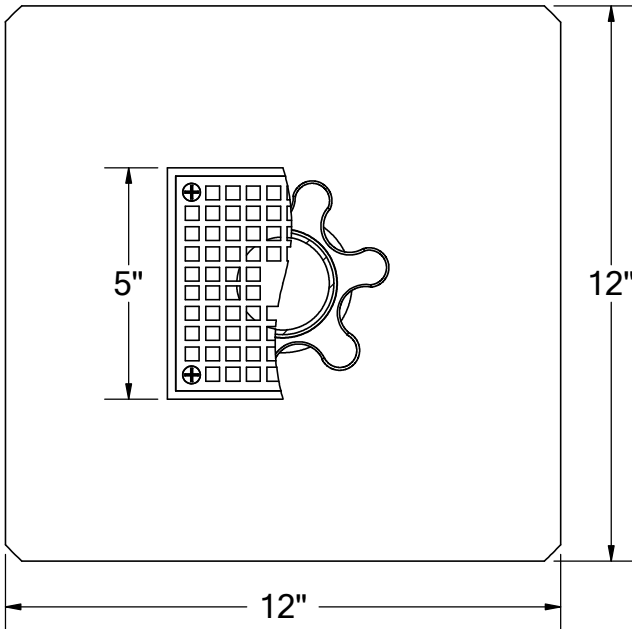


**THUNDERBIRD PRODUCTS**

1895 Gillespie Way, El Cajon, CA 92020  
 tel: (619) 448-3567  
 fax: (619) 448-9072    tbirdusa.com

# TILE DECK DRAIN

16 oz copper or 316 grade stainless steel flange. Adjustable 5" square nickel-bronze, 5" round nickel-bronze grate, or stainless 5" square tile-in grate. Chrome and oil-rubbed grate finishes available.



PART #	
BDCD3NH	3" no-hub
BDCD3TA	3" male thread
BD52A	5" bowl, 2" no-hub
BD53A	5" bowl, 3" no-hub
OPTIONS	
	16 oz copper flange
S-	316 stainless steel flange
-90	90° outlet connection
-SQ	square grate, ni-bronze, 5" x 5", 8.84 in <sup>2</sup> free area
-RN	round grate, ni-bronze, 5", 5.88 in <sup>2</sup> free area
-SQTG	square tile-in grate, stainless, 5" x 5", 5.47 in <sup>2</sup> free area
GRATE FINISH	
-CG	polished chrome
-ORB	oil-rubbed bronze

Data is subject to manufacturing tolerances.