



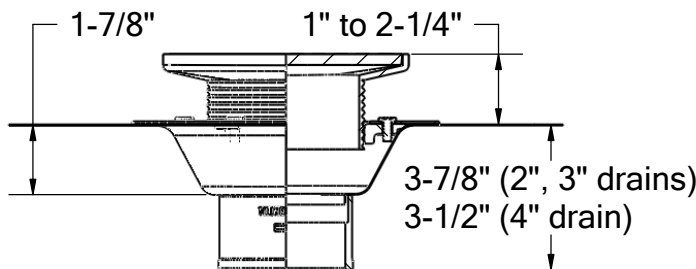
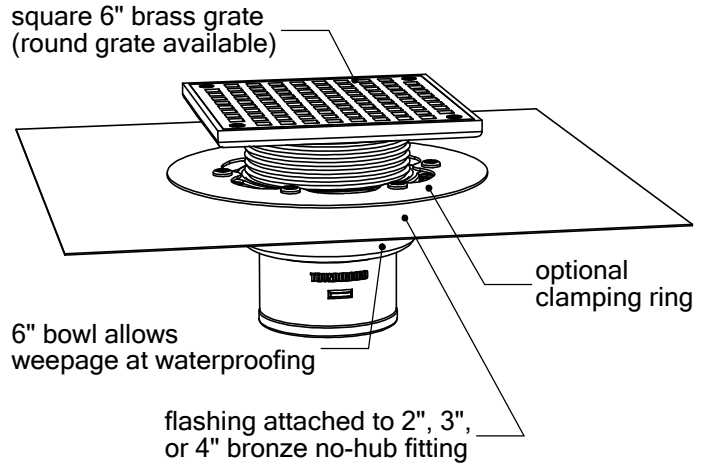
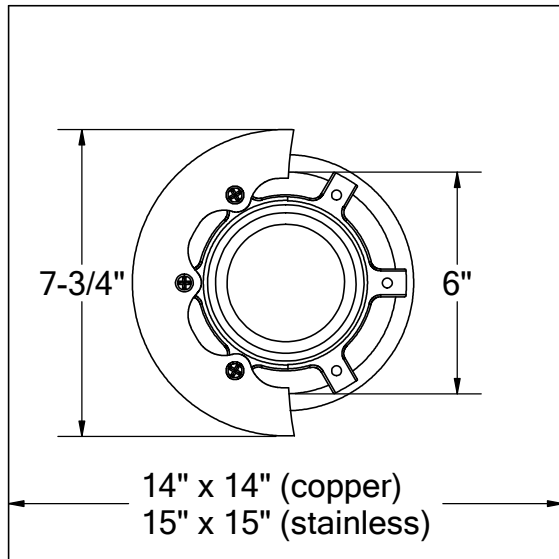
1895 Gillespie Way, El Cajon, CA 92020  
 tel: (619) 448-3567  
 fax: (619) 448-9072    tbirdusa.com

# COMMERCIAL TILE DECK DRAIN

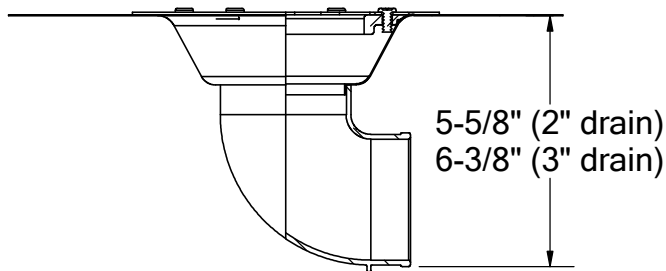
WITH ADJUSTABLE GRATE AND OPTIONAL CLAMPING RING



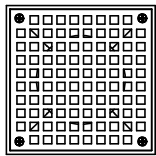
20 oz copper or stainless steel flange. 6" adjustable square or round brass grate. Polished chrome and oil-rubbed bronze finishes available. Shown with optional clamping ring.



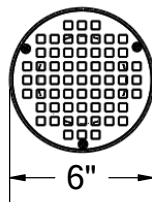
optional: -90



-SQ



-RN



-RNHV



AGREX3.5  
 3.5" NPST grate extender

PART #	
BD62A	2" no-hub
BD63A	3" no-hub
BD63ATA	3" male thread
BD64A	4" no-hub *
OPTIONS	
	20 oz copper flange
S-	stainless steel flange
-90	90° outlet connection
-CR	clamping ring, stainless
-SQ	square grate, brass, 6" x 6", 14.38 in <sup>2</sup> free area
-RNHV	high volume round grate, 6", 14.15 in <sup>2</sup> free area
-RN	round grate, brass, 6", 10.94 in <sup>2</sup> free area *
AGREX3.5	3.5" NPST grate extender
GRATE FINISH	
-CG	polished chrome
-ORB	oil-rubbed bronze