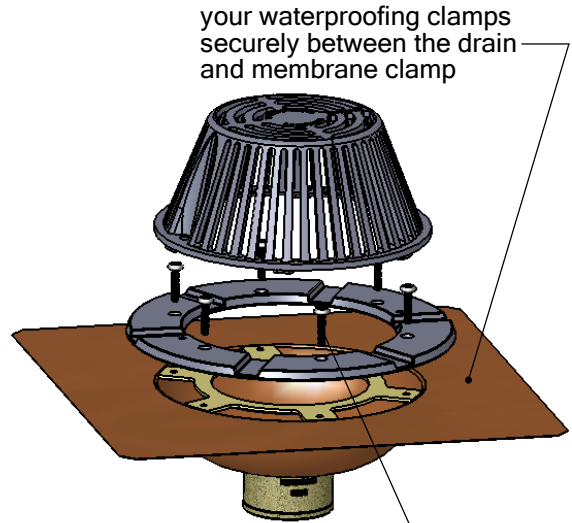
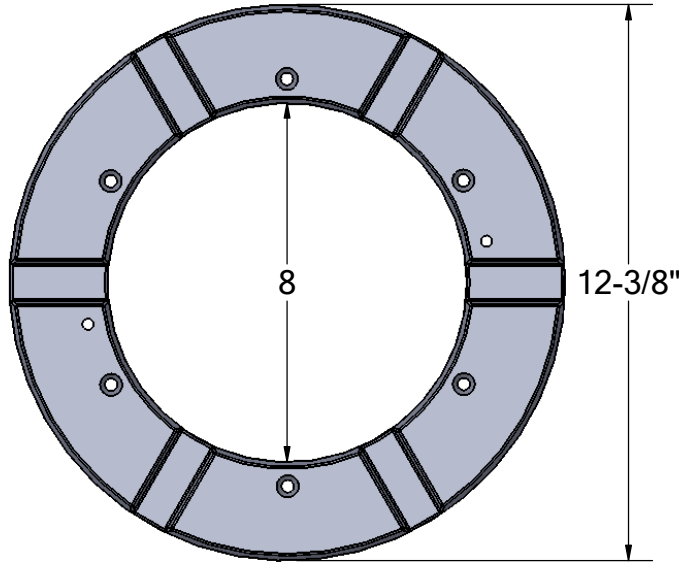




1895 Gillespie Way, El Cajon, CA 92020  
tel: (619) 448-3567  
fax: (619) 448-9072    tbirdusa.com

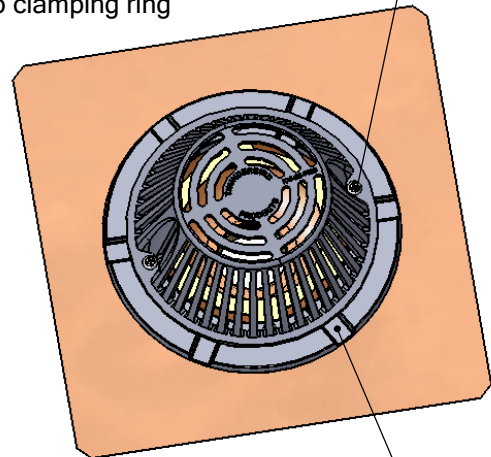
# ROOF DRAIN CLAMPING RING

Powder coated aluminum ring attaches to our complete line of copper and stainless roof drains using provided stainless hardware.



ring mounts to roof drain with 6 stainless steel screws

dome strainer mounts securely to clamping ring



6 drainage channels on top side

<b>PART #</b>	
A-CR	clamp ring, cast alum