

# Palmetto Craft

QUALITY AMISH-MADE FURNITURE

Complete assembly videos can be found on [palmettocraft.com](http://palmettocraft.com)

## ADIRONDACK ASSEMBLY INSTRUCTIONS

1) Place pre-assembled seat on a level surface. Align pre-assembled back with pre-drilled holes on seat and fasten with (4) 2 ½" screws using pre-drilled holes **(see figure 1)**.

2) Position pre-assembled arm/leg assembly on seat and back (curved side of armrest facing in), aligning with pre-drilled holes **(see figure 2)**. Secure by inserting (3) 3" inch bolts through pre-drilled holes **(see figure 3)**. Add washer and nuts **(see Bolt Assembly diagram)**. Hand tighten. Repeat to attach arm/leg assembly to other side of chair.

3) **Wrench tighten all nuts and bolts.**

### HARDWARE INCLUDED:

- (6) 3" Bolts
- (6) Washers
- (6) 1/4" Nuts
- (4) 2 1/2" Screws

### Important Note:

Your furniture has been kiln-dried and ready to stain, paint or water seal to help preserve it and keep it looking nice longer. Please note, exposure of all woods to outdoor elements can cause fading, warping, cracking, shrinking or expansion. The manufacturer and distributor of this product cannot be held responsible for damage or changes caused by natural weathering.

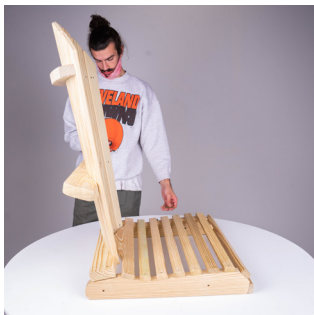


Figure 1



Figure 2

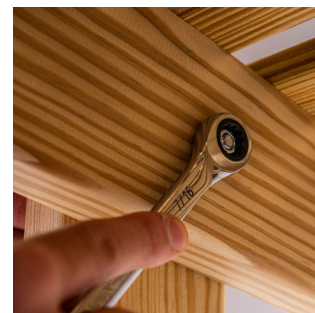
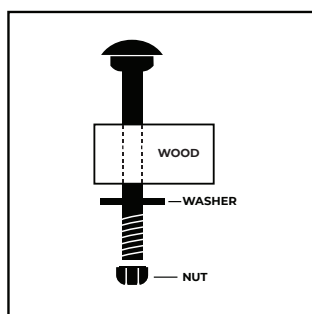


Figure 3



Bolt Assembly Diagram



Finished Chair