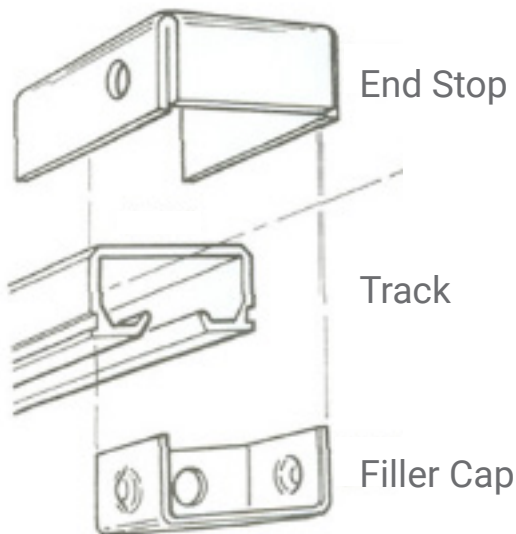


INSTALLATION GUIDE



This guide describes the first time installation of a new Hygenica IPC Curtain.

Please note that these are general purpose instructions, supplied in good faith and may not be suitable for all jobs. Further, this installation should only be performed by a competent person using the correct tools. If installation of a new Hygenica IPC Curtain cannot be completed using the instructions enclosed, please seek further advice from your account manager or email sales@hygenica.com.



Hygenica Curtain Stop



Hygenica Thumb Screw



STEP 1

Locate the screw fixing the removable filler cap to the end-stop and remove.



STEP 2

Detach the filler cap and set aside for later replacement.



STEP 3

Remove existing curtain hooks from the track.



STEP 4

Once the curtain track is empty, use an Hygenica silicone wiper to lubricate the channel in the track. Ensure that any dust and debris is removed, and that the lubricant is applied along the entire length of each inner lip of the channel. Repeat this step each time before installing a new curtain in order to maintain a smooth glide.



STEP 5

Take a Hygenica curtain of the correct size and drop. Leaving the protective plastic sheath in place, insert the hooks into the track, ensuring that the orientation of the curtain is such that the labelled front pleat faces into the room and is clearly visible. Confirm that all hooks are correctly inserted.



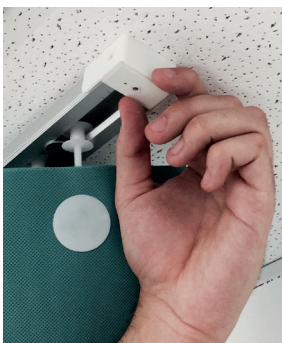
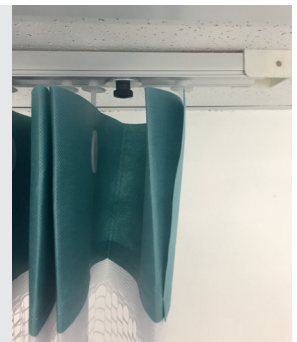
STEP 6

If the non-labelled back pleat is to be secured in position, for example against a wall, place a Hygenica IPC Curtain stop into the track channel between the second-last and last hook. The Curtain Stop should be tightened into place approximately 3 inches from the track end.



STEP 7

Finally add the last hook, it should be separated from the other curtain hooks by the Curtain Stop described in step (6).



STEP 8

Replace the removable filler cap into the end stop.



STEP 9

Secure the filler cap in place using an Hygenica Thumb Screw, taking care not to over-tighten.



After all steps have been followed, the installed curtain should resemble the image shown here.



CONTRACTED SUPPLIER

To find out more

Call +1 (646) 630 8542 or email info@hygenica.com | www.hygenica.com

