



ELECTRIC LUNCH BOX

INSTRUCTION BOOKLET
CUSTOMER SERVICE 1-877-926-6526

IMPORTANT SAFEGUARDS

Basic safety precautions should always be followed when using electrical appliances, including the following:

1. **IMPORTANT:** Read all instructions.
2. To protect against risk of electrical shock, do not put the GreenLife Electric Lunch Box or Power cords in water or other liquid.
3. Surface of the Warming Base is HOT. Do not touch surfaces that may be hot. Always use hot pads or potholders until unit cools.
4. Use handles and knobs provided.
5. Use an electric wall receptacle with the proper voltage and capacity and unplug the power plug after using.
6. Unplug from outlet when not in use, and before cleaning.
7. Allow to cool before putting on or taking off parts.
8. Do not operate this appliance or any other electrical equipment with a damaged cord or plug, or after the unit malfunctions, or is dropped or damaged in any manner. Contact Customer Service (see warranty) for examination, repair, or mechanical adjustment.
9. If the supply cord is damaged, it must be replaced by the manufacturer, its service agent, or similarly qualified persons in order to avoid a hazard.
10. The use of accessory attachments not recommended or sold by the manufacturer may cause fire, electric shock, or injury.
11. Do not use outdoors. Always attach plug to appliance first, then plug cord into the wall outlet. To disconnect, remove plug from wall outlet first.
12. Do not place near hot gas/electric burner or heated oven.
13. Do not let cord hang over edge of table or counter or touch hot surfaces.
14. It is recommended that this appliance not be moved when it contains hot oil or other hot liquid.

15. **WARNING:** Spilled food can cause serious burns. Keep appliance and cord away from children. Never drape cord over edge of counter, never use outlet below counter.
16. Avoid spillage on the power cord connector.
17. Close supervision is necessary when any appliance is used by or near children.
18. Do not use appliance for other than intended use.

This appliance is not intended for use by persons (including children) with reduced physical, sensory, or mental capabilities, or lack of experience and knowledge, unless they have been given supervision or instruction concerning use of the appliance by a person responsible for their safety. Children should be supervised to ensure that they do not play with the appliance. Cleaning and user maintenance shall not be made by children unless they are older than 8 and supervised. Keep the appliance and its cord out of reach of children less than 8 years.

The appliance has a polarized plug (one blade is wider than the other). To reduce the risk of electric shock, this plug is intended to fit into a polarized outlet only one way. If the plug does not fit fully into the outlet, reverse the plug. If it still does not fit, contact a qualified electrician. Do not attempt to modify the plug in any way.

FOR HOUSEHOLD USE ONLY

SAVE THESE INSTRUCTIONS

- A) A short power-supply cord (or detachable power-supply cord) is provided to reduce the risk resulting from becoming entangled in or tripping over a longer cord.
- B) Longer detachable power-supply cords or extension cords are available and may be used if care is exercised in their use.
- C) If a longer detachable power-supply cord or extension cord is used:
 - 1) The marked electrical rating of the cord set or extension cord should be at least as great as the electrical rating of the appliance.

Hello!

Welcome to the GreenLife™ family!

We're dedicated to making every meal a little fresher, a little healthier, and a little better. From our healthy ceramic nonstick cookware to our time-saving appliances, our eye-catching products bring a pop of color and style to your kitchen so you can truly make any meal your own. We hope your purchase gives you a fresh new approach to healthy meals. **Enjoy!**

- 2) The cord should be arranged so that it will not drape over the countertop or tabletop where it can be pulled on by children or tripped over unintentionally.

POLARIZED PLUG

This appliance has a polarized plug (one blade is wider than the other). To reduce the risk of electric shock, this plug will fit in a polarized outlet only one way. If the plug does not fit fully in the outlet, reverse the plug. If it still does not fit, contact a qualified electrician. Do not modify the plug in any way.

CONTENTS

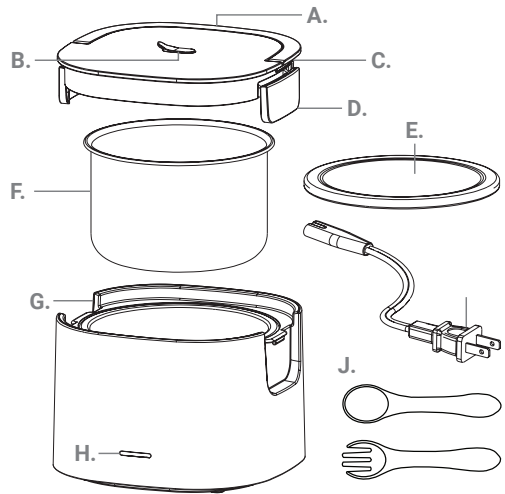
Important Safeguards.....	2
About GreenLife	3
Before Use	4
Parts.....	4
Operation	5
Tips	6
Cleaning.....	6
Warranty	7

BEFORE USE: USING YOUR GREENLIFE ELECTRIC LUNCH BOX

1. Read all instructions and important safeguards.
2. Remove all packaging materials and check that all items have been received in good condition.
3. Tear up all plastic bags and dispose of properly as they can pose a suffocation or choking risk to children.
4. Wash all accessories in warm, soapy water (excluding Power Cord). Rinse and dry thoroughly.
5. Remove the Ceramic Nonstick Coated Inner Pot and Storage Lid and clean with warm, soapy water. Rinse and dry thoroughly before returning to the GreenLife Electric Lunch Box.
6. Wipe body clean with a damp cloth.

NOTE: Do not use harsh abrasive cleaners, scouring pads or products that are not considered safe to use on nonstick coatings. If washing in the dishwasher, a slight discoloration to the Ceramic Nonstick Coated Inner Pot and accessories may occur. This is cosmetic only and will not affect performance.

**THIS APPLIANCE IS FOR
HOUSEHOLD USE ONLY.**



PARTS

- | | |
|----------------|--------------------------|
| A. Housing Lid | G. Warming Base |
| B. Steam Vent | H. Indicator Light |
| C. Lid Handle | I. Detachable Power Cord |
| D. Lid Locks | J. Silicone Spoon & Fork |
| E. Storage Lid | |
| F. Inner Pot | |

PREPARING YOUR ELECTRIC LUNCH BOX FOR USE

Get ready for your day by pre-filling your GreenLife Electric Lunch Box with already cooked food before you leave home for the day with your favorite soups, chili, last night's leftovers and more. Follow these steps for preparation:

1. Fill the removable ceramic nonstick coated Ceramic Nonstick Coated Inner Pot with desired prepared food. Place the food Ceramic Nonstick Coated Inner Pot inside the Warming Base. Place the Housing Lid on the Ceramic Nonstick Coated Inner Pot, press down and secure the Housing Lid using Lid Lock Latches on both sides Note: Make sure the Steam Vent on the Housing Lid is pressed down and seal the vent hole correctly, to avoid spills or leakage.

Note: The Storage Lid cannot be used during heating process . The Storage Lid is only used for transporting bowl with food or storing. DO NOT attempt to heat with Storage Lid on. The housing lid will not fit on the Warming Base if the Storage Lid is on. Remove Storage Lid if on bowl and store separately.

2. As the unit has a Detachable Power Cord, make sure to bring the power cord together with the unit. NOTE: Always carry the unit upright or by the Lid Handle when traveling to limit chances of spilling.

As this unit also includes a Storage Lid, you can leave the unit (Warming Base, Housing Lid, Detachable Power Cord) where you will use this GreenLife Electric Lunch Box. The Storage Lid can be used to bring the food from your home to office and everywhere in-between!

Silicone Spoon & Fork

This nonstick silicone spoon and fork pair perfectly with every meal. The flexible design gets into tight spaces while the lightweight feel keeps you comfortable and in command. Dishwasher safe for effortless cleaning.

- Flexible
- Lightweight
- Dishwasher Safe

OPERATION

NOTE: The unit is not designed for use with uncooked food. If a recipe calls for uncooked meats, it should be fully cooked before combining with other ingredients and heating it in the unit.

1. Fill the removable Ceramic Nonstick Coated Inner Pot with desired food. Place the Ceramic Nonstick Coated Inner Pot inside the Warming Base. Place the Housing Lid on the Ceramic Nonstick Coated Inner Pot, press down and secure the Housing Lid using Lid Lock Latches on both sides. NOTE: No separate heating

or microwaving will be required for refrigerated foods. The capacity of the inner vessel is 20 ounces. Do not overfill.

2. Plug in your GreenLife Electric Lunch Box in advance to desired mealtime so that Lunch Box is ready when you are. Be sure to allow for enough time to heat. Connect the Detachable Power Cord to the unit first. Then plug into electrical outlet.
3. The power indicator light will turn on and the unit will automatically begin to heat up the food. NOTE: The Green life Electric Lunch Box will continue to warm unless unplugged. After use always disconnect the Power Cording.
4. This GreenLife Electric Lunch Box is not meant to warm foods rapidly. Heat times will vary depending on the type of food being warmed and the starting temperature of the food. Stirring will help to speed up the time it takes to heat the food.
5. Once your food has reached your desired temperature. Unplug the unit. Before opening lid, always release hot air by pulling up the Steam Vent to OPEN. NOTE: The Steam Vent must be opened before removing the lid. If Steam Vent is not opened before care should be taken.
6. Open the Lid Lock Latches on both side of Housing Lid, then pull up the Housing Lid gently. Now you can enjoy your food right out of your GreenLife Electric Lunch Box. Note: Steam may come out from Housing Lid rim while removing, keep face away to prevent spill or burns.

CAUTION: Do not remove the pot from Warming Base while hot. If Bowl needs to be removed use temperature resistant gloves or oven mitts.

NOTE: While you start to warm up the food, place the Ceramic Nonstick Coated Inner Pot to countertop, make sure the Ceramic Nonstick Coated Inner Pot is standing upright.

Remove the Storage Lid from the Ceramic Nonstick Coated Inner Pot carefully. Then place the Ceramic Nonstick Coated Inner Pot with food into the Warming Base. And follow the mentioned above to warm up your food.

USAGE NOTES

- If there is a power outage and you are unaware of how long the power was out, we suggest you discard the food.
- Unplug when heating is done and before cleaning.
- Warming Base, Housing Lid, Ceramic Nonstick Coated Inner Pot and Storage Lid are not oven, stop top or microwave safe.
- Always wear oven mitts, or heat resistant pads when handling the unit.
- The Storage Lid cannot be used during heating process . The Storage Lid is only used for transporting bowl with food. DO NOT attempt to heat with Storage Lid on.

TIPS

- Plug in your electric GreenLife Electric Lunch Box well in advance to desired mealtime. Be sure to allow for enough time to heat.
- Food with minimum moisture content will dry out if left in the warmer for more than 4 hours.
- Stirring will help speed up the time it takes to warm your food.
- For meal prepping, fill the Ceramic Nonstick Coated Inner Pot with food and cover the Storage Lid, and store in the refrigerator.
- Be sure not to overfill with food.

CARE CLEANING

- Always unplug the unit and allow it to cool before cleaning. CAUTION: Never submerge the The Warming Base or Power Cord in water or other liquid.

- Remove Ceramic Nonstick Coated Inner Pot, empty food contents, and fill with warm soapy water to loosen any remaining food.
- To clean the Storage Lid, remove and hand wash with warm soapy water then dry thoroughly. NOTE: When reattaching to unit, ensure gasket is secured in correct direction and flat against Ceramic Nonstick Coated Inner Pot lid to avoid any spills.
- To clean the lid, use a plastic brush to remove any food particles making sure to scrub all cracks and crevices. Pull the Steam Vent up to clean thoroughly and leave open to dry.
- To remove any water spots or other stains, use a non-abrasive cleaner or vinegar.
- Removable Ceramic Nonstick Coated Inner Pot, Storage Lid, are dishwasher safe - top rack only.
- The outside of the Warming Base may be cleaned with a soft cloth and warm soapy water. Wipe dry. Do not use abrasive cleaners.
- Important: The Storage Lid cannot be used during the heating process. The storage lid is only used for transporting or storing the bowl with food. DO NOT attempt to heat with storage lid on. The housing lid can be used only be used for heating. The housing lid will not fit on the warming base if the storage lid is on. Remove storage lid if on bowl and store separately.

BEFORE RETURNING YOUR GREENLIFE PRODUCT

If you are experiencing problems with your GreenLife Electric Lunch Box, we suggest that you call GreenLife customer service at 1-877-926-6526 before returning the product. A representative can confirm whether the product is under warranty and advise on next steps. IMPORTANT: If

the defective product is to be serviced by someone other than GreenLife's authorized service, please tell the servicer to call our consumer service at 1-877-926-6526 to ensure that the problem is properly diagnosed, the product is serviced with the correct parts, and the product is still under warranty.

DISPOSAL: Do not dispose this product as unsorted municipal waste. Collection of such waste separately for special treatment is necessary.

LIMITED WARRANTY

GreenLife Electrics are covered by a limited warranty against defects in materials and workmanship, beginning on the date of purchase and lasting for two years. If your GreenLife Electrics product has a defect during the warranty period, The Cookware Company (USA), LLC will either repair or replace the product. Further information on the warranty claim process, exclusions from warranty coverage, and other terms can be found in the complete limited warranty for this product, available online at greenlife-cookware.com/pages/warranty.

TERMS OF SALE; ARBITRATION

The terms on which The Cookware Company (USA), LLC sells GreenLife Electrics are available online at greenlife-cookware.com (the "Terms"). The Terms contain very important information regarding your rights and obligations, as well as conditions, limitations, and exclusions that may apply to you. Please read them carefully.

In particular, the Terms provide that, by your purchase of this product, you and The Cookware Company (USA), LLC are agreeing to give up any rights to litigate in a court or before a jury, or to participate in a class action or representative action with respect to a claim. Other rights that you would have if you went to court may also be unavailable or limited in arbitration. Any claim, dispute, or controversy between you and The Cookware Company (USA), LLC arising from or relating

in any way to your purchase of products or services will be resolved exclusively and finally by binding arbitration.

The arbitration will be administered by the American Arbitration Association ("AAA") in accordance with the Consumer Arbitration Rules (the "AAA Rules") then in effect, except as modified hereby. (The AAA Rules are available at adr.org or by calling the AAA at 1-800-778-7879.) The Federal Arbitration Act will govern the interpretation and enforcement of this arbitration and waiver provision. The Cookware Company (USA), LLC will be responsible for the AAA filing fee of any such proceeding. Other than your right to pursue a claim in small claims court, as described in the Terms, the arbitrator will have exclusive authority to resolve any dispute relating to arbitrability and/or enforceability of this arbitration provision, including any unconscionability challenge or any other challenge that the arbitration provision or these Terms are void, voidable or otherwise invalid. The arbitrator will be empowered to grant whatever relief would be available in court under law or in equity. Any award of the arbitrator(s) will be final and binding on each of the parties and may be entered as a judgment in any court of competent jurisdiction. Attorney fee shifting in this case is governed by the Terms. You agree to an arbitration on an individual basis. In any dispute, **NEITHER YOU NOR THE COOKWARE COMPANY (USA), LLC WILL BE ENTITLED TO JOIN OR CONSOLIDATE CLAIMS BY OR AGAINST OTHER CUSTOMERS IN COURT OR IN ARBITRATION OR OTHERWISE PARTICIPATE IN ANY CLAIM AS A CLASS REPRESENTATIVE, CLASS MEMBER OR IN A PRIVATE ATTORNEY GENERAL CAPACITY.** The arbitral tribunal may not consolidate more than one person's claims, and may not otherwise preside over any form of a representative or class proceeding. The arbitral tribunal has no power to consider the enforceability of this class arbitration waiver and any challenge to the class arbitration waiver may only be raised in a court of competent jurisdiction. If any provision of the arbitration agreement described herein and in the Terms is found unenforceable, the unenforceable provision will be severed and the remaining arbitration terms will be enforced.

