

Tommer Bouncer Instruction Manual



WARNING


Not recommended for children who can sit up by themselves (6 months approximately, until 9kg).


Toy designs may vary.

Complies with: BS EN 12790-2009

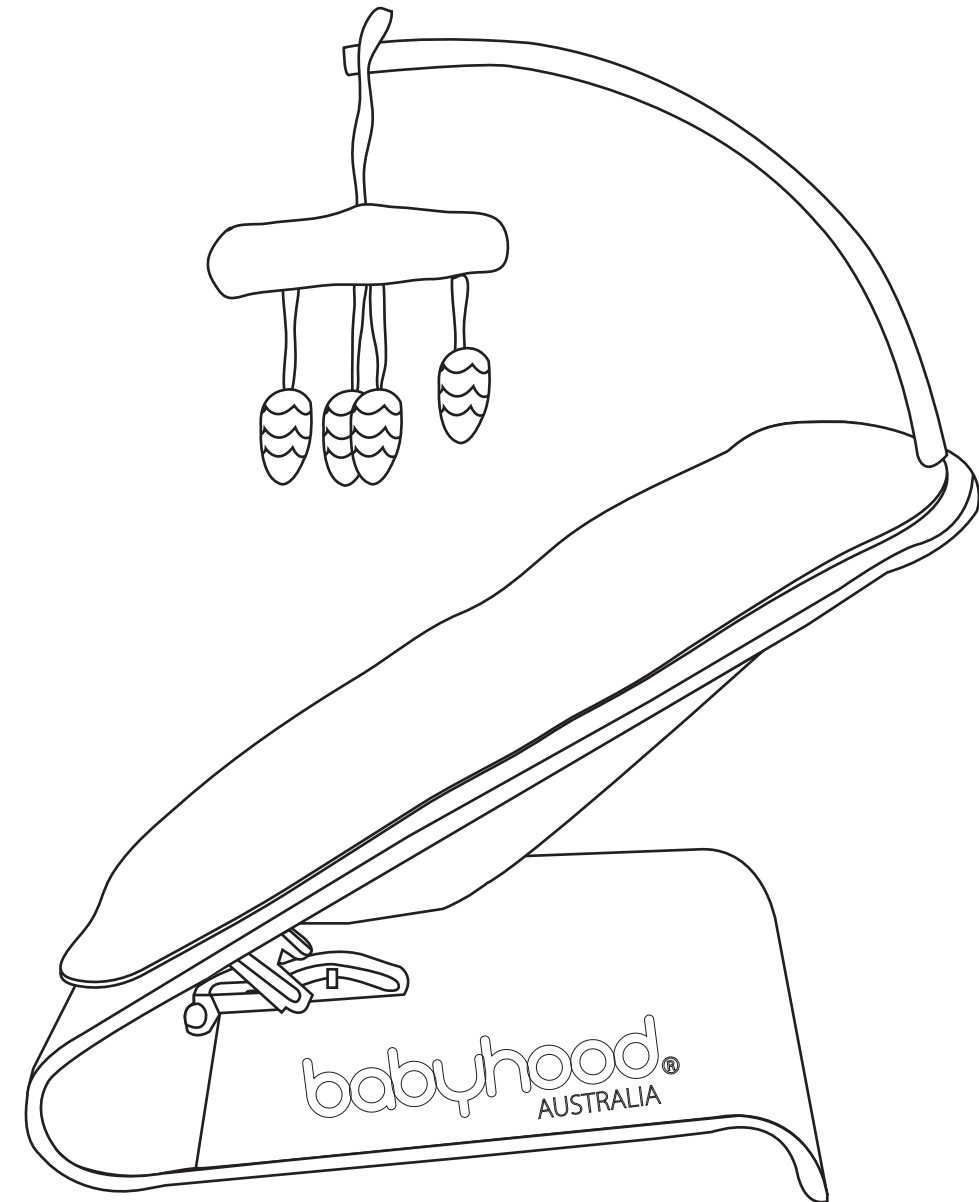
SAFETY INFORMATION -
Read these instructions carefully before use.

  One adult required for assembly.

 Follow instructions to ensure safety is not compromised.
Keep for future reference.

 Your child may be hurt if you do not follow the instructions.

Product may vary slightly from pictures and drawings



babyhood[®]
AUSTRALIA

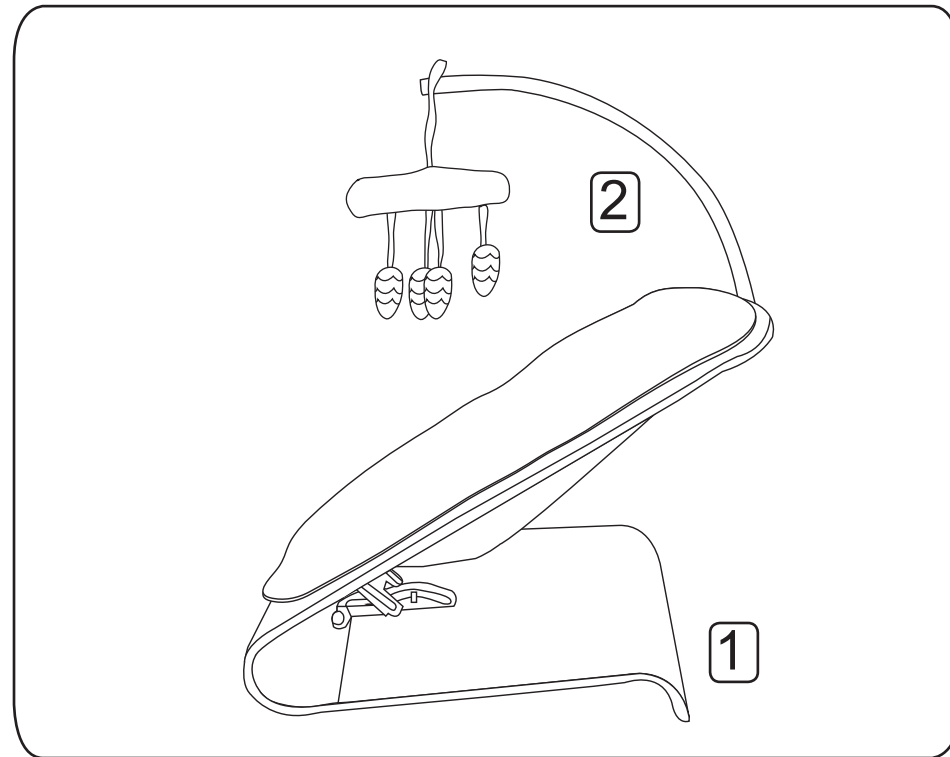
132 Compton Road Woodridge QLD Australia - 4114
sales@babyhood.com.au | www.babyhood.com.au

www.babyhood.com.au

© Copyright Bobby Bebe Pty Ltd. All rights reserved 2009

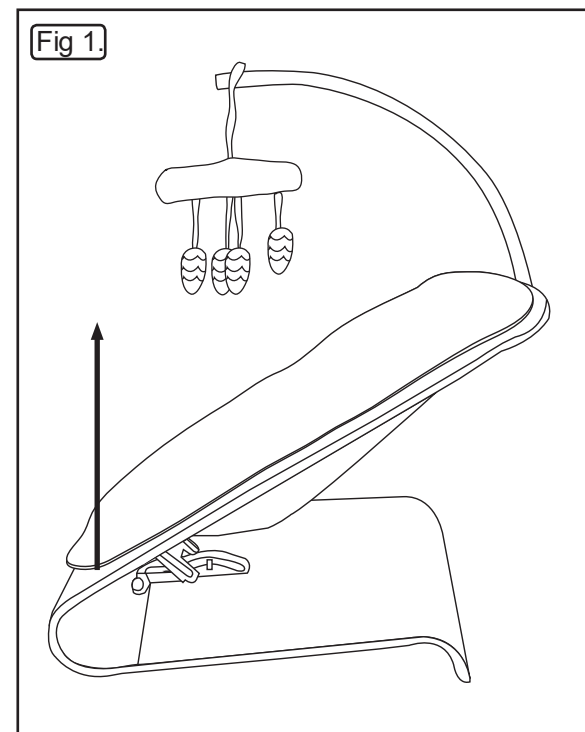
babyhood[®]
AUSTRALIA

- 1. Bouncer frame
 - 2. Toy bar
- *Toys will vary from image



Tommer Bouncer Assembly

- 1. To open
Lift the seat support in an upwards motion until it clicks in place.
- Ensure it is assembled correctly before use



babyhood nursery products carry a 1 year from date of purchase manufacturer's fault warranty.

This warranty excludes:

- General wear and tear.
- Damage caused, by the product not being used in accordance with its instructions or the care instructions.
- Damage caused by misuse or negligence.
- Damage caused by improper transporting and handling including the packaging being opened incorrectly.
- Any product that may have been altered in design or colour.
- Any product that is not used for its intended purpose.

All warranty claims must be lodged directly with the store or purchase. An original and valid tax invoice must be provided to the store of purchase to lodge a warranty claim.

If the product is under warranty, babyhood will replace or repair any defective part (at its complete discretion).

In the event of a product being replaced, as a whole unit or part thereof during the warranty period, the warranty on the replacement will expire 1 year from the original purchase date.

All warranty claims must be lodged at the place of original purchase together with proof of purchase (which must be provided in order to lodge a warranty claim) and the actual part in question.

Your babyhood stockists will be able to lodge your claim in writing through our babyhood customer service department.

This warranty is a back to base warranty. The cost of freight to and from the store of purchase or the manufacturer is the responsibility of the purchaser of the product.

MADE IN CHINA

Thank you for purchasing a quality babyhood product

We have compiled some tips on how you can enjoy your babyhood product for longer:

General Care

The correct use and maintenance of this bouncer is essential. In some climates mould and mildew can affect the fabric on the bouncer.

Always store the bouncer in a dry place.

This bouncer does not replace a cot or a bed. If your child need to sleep, then they should be placed in a suitable cot or bed.

It is important that the humidity levels in the room be controlled from extremes of too much humidity or too little. Furniture should not be placed close to air-conditioning outlets, fire places, radiators, space heaters, humidifiers or dehumidifiers. Exposure to extreme variations of temperature and humidity can damage any fine wood product.

Cleaning

-The cover may be gently spot cleaned.

-For heavy soiling the cover may be removed and hand washed in cold water using a very mild detergent solution.

-Lie cover flat and dry in a well ventilated area out of direct sun light.

-Do not use bleach, ammonia based or abrasive cleaning chemicals.

-Do not dry clean or place in a dryer. Heat will shrink the cover.

-The frame and plastics may be cleaned with a damp cloth and a mild detergent solution and dried with a soft cloth.

-Clean any spills immediately with a soft, clean and damp, not wet cloth and do not use abrasive cleaners.

Maintenance

-Regularly inspect all tubes and fixings. Ensure that all are secure before each use of the product.

-Do not use the bouncer if any components are broken or missing.

-Regularly inspect fabric and stitching and check that it is undamaged.

-Do not use accessories or replacement parts other than those approved by the manufacturer.

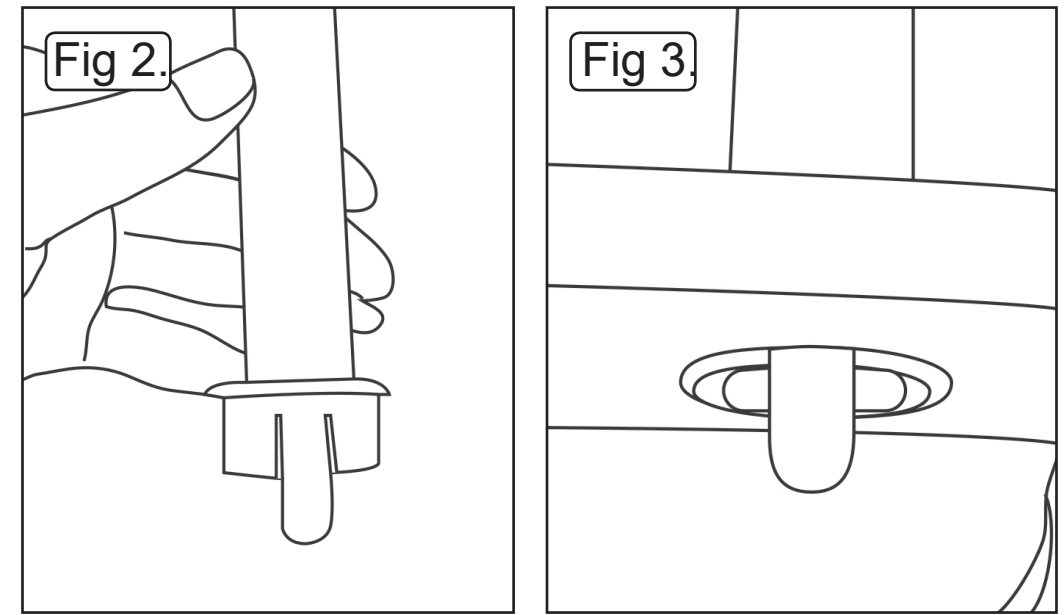
Avoid Direct Sunlight

Keep the furniture out of direct sunlight. Ultraviolet rays will fade colours and in some cases darken them. It can also cause crazing or hair line cracks in the finish. White finishes will yellow naturally over time and exposure to direct sunlight will hasten this natural process along with some woods darkening naturally over time; this is not considered to be a quality defect.

Proper Storage

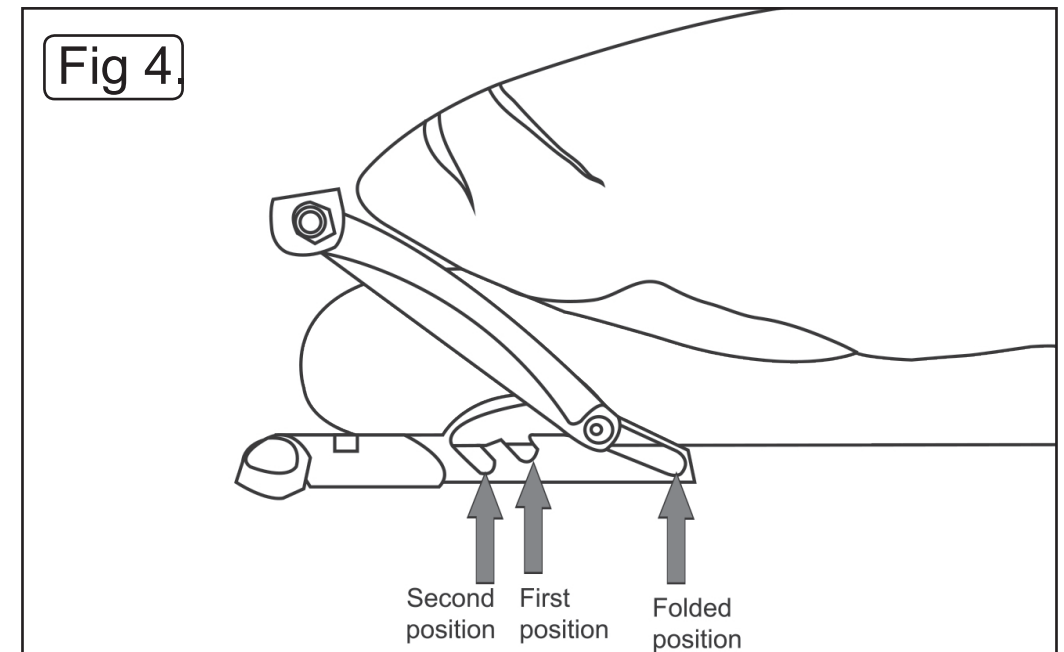
If you need to put your furniture in storage for any period of time do not store them in a damp basement or hot dry attic. Allow air movement around the furniture and do not stack anything on it.

Failure to do this may invalidate your warranty.



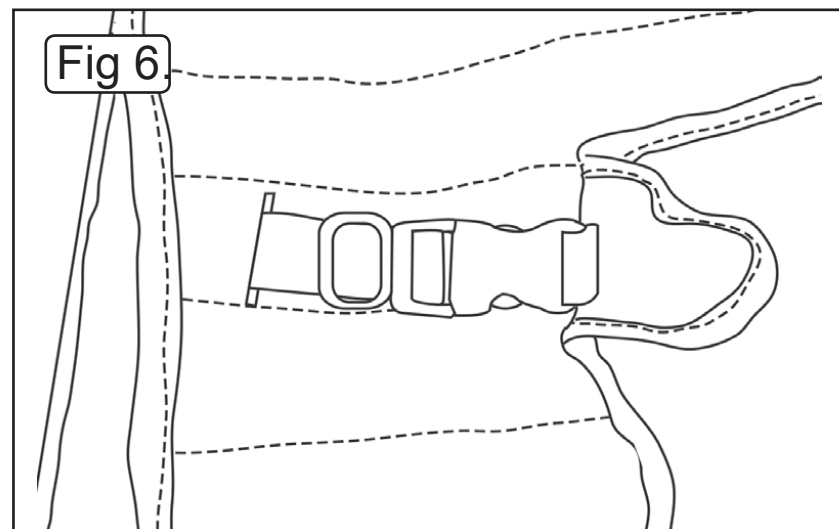
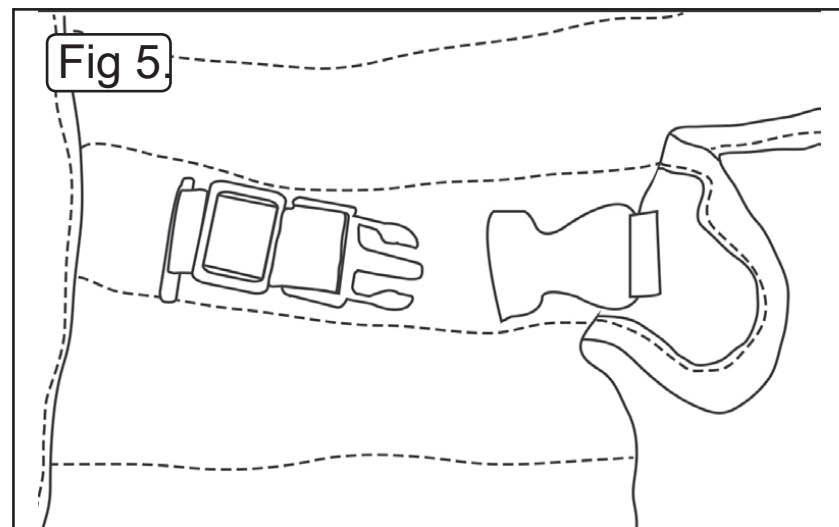
Insert the end of the toy bar in to the hole at the top of the seat support and push fully down.

To select a different height or fold the bouncer



Gently lift the seat support upwards and guide the recline arm in to a different position or in to the folded position. Ensure the arm is properly seated before placing a child in the bouncer.

- 1-Place baby in the bouncer with the crotch strap positioned between his / her legs
- 2- Fasten the buckles on both sides of the restraint, pressing until you hear a 'click'.
- 3- Adjust the sliders on both straps to achieve a snug but comfortable fit.
- 4- To release, press the clips on the buckles and remove the harness straps.



 Always Use The Harness

IMPORTANT | RE REFERENCE – READ CAREFULLY
BEFORE USE, REMOVE AND DISPOSE OF ALL PLASTIC BAGS AND PACKING MATERIALS AND KEEP THEM OUT OF REACH OF CHILDREN

- Your child's safety is your responsibility.
- This product is intended for use for babies aged between 0 and 6 month, weighing up to a maximum of 9 kg.
- Do not apply any pressure to the top of the bouncer as it will tip.
- When a child is able to sit, kneel or to pull itself up, the bouncer should not be used anymore for this child.
- Do not use this product if any part is broken, torn or missing.
- Never leave the child unattended.
- This reclined bouncer is not intended for prolonged periods of sleeping.
- It is dangerous to put this bouncer on an elevated surface, e.g. a table.
- Always use the restraint system.
- Never use the toy bar to carry the bouncer. Always ensure that the harness is fastened and adjusted at all times.
- Only use on a flat, level floor surface.
- Do not use near stairs / steps.
- Children must not be permitted to play with the bouncer.
- Never use the product in a vehicle as a child restraint.
- Do not position the bouncer close to a source of heat e.g household electric fires, etc .
- Do not adjust the bouncer when the child is in it.
- Do not use the product with more than one child at a time.
- The product must be kept away from electric cables and cords: do not place the product near windows where cords, curtains or similar objects could pose choking or strangling hazards for the child. To avoid strangling hazards, do not leave your child or place near them, objects equipped with cords.
- A prolonged exposure to the sun may cause changes of tones to the product's colour. After a prolonged exposure of the product to high temperatures, wait a few minutes prior to placing your child in it.
- When not in use, keep the product away from the reach of children.