

Riya Cot Instruction Manual

WARNING

Recommended mattress size:
690mm wide x 1295mm long x 100mm thick

To prevent falls, the maximum mattress thickness
should not exceed 100mm

To prevent falls, the mattress base of this cot should
be adjusted to the lowest position before the child can
sit up



Tested by: Australian Furnishing
Research & Development Institute

Recommended mattress size.

This cot has been manufactured for specific use with a mattress which measures 690mm wide by 1295mm long and 100mm thickness. The width and length are specified because it is important that the gaps between the mattress and the sides and ends of the cot will not exceed 40mm when the mattress is pushed to one side or end. This is to minimize the risk of a child's limb becoming caught in the gap. We recommend using a babyhood mattress for a perfect fit.

The thickness of the mattress has been specified to ensure that the depth of the cot is greater than 500mm with the mattress base in the lower position to minimize the risk of a child climbing or falling out of the cot.

Product may vary slightly for pictures and drawings



Two adults required for assembly.



Follow instructions to ensure safety is not compromised.
Keep for future reference.

SAFETY INFORMATION - Please Read Before Use

Before use, remove and dispose of all plastic bags and packing materials and keep them out of reach of children.

. To ensure the safety of your cot is not compromised, assemble your cot to the manufacture's instruction.

. **WARNING : TO PREVENT FALLS, THE MATTRESS BASE OF THIS COT SHOULD BE ADJUSTED TO THE LOWEST POSITION BEFORE THE CHILD CAN SIT UP.**

. Child's safety relies on ADULT SUPERVISION. Remember your child's safety is your responsibility.

. This cot is designed for children of a maximum mass of 25kg and is NOT designed to withstand the weight of an adult climbing on it or in it.

. Toys and bedding that are capable of being used as climbing devices should NOT be left on or in the cot while the child is unattended.

. Keep this product away from fire, direct heat sources, curtains, blinds or power points.

. Strings and elastics can cause strangulation, do not tie or suspend toys or playthings over the cot.

. Always ensure items such as medication, small toys or any small items such as money are out of your child's reach while in the cot.

. If your cot should become damaged, do not use it and contact your store of purchase immediately.

. Always ensure that the correct size of mattress is used as specified by the manufacturer's instructions.

. Do not place toys in your cot which may injure your child in a fall.

. Regularly inspect the cot to ensure that all joints, fasteners and catches are undamaged and are in full working order.

. Do not allow children to stand on the railings on the outside of the cot as this will damage your cot.

babyhood[®]
AUSTRALIA

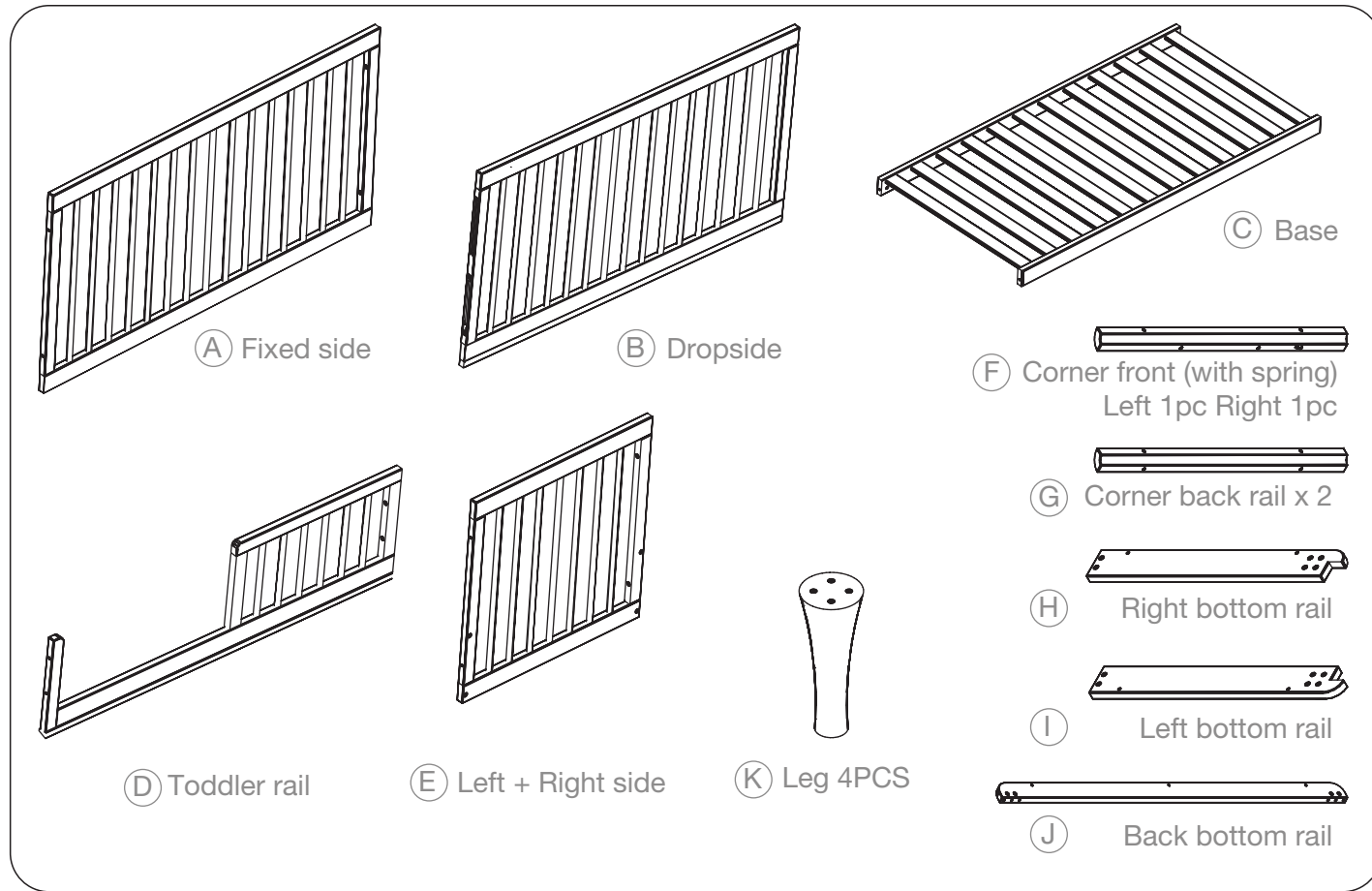
132 Compton Road Woodridge QLD Australia - 4114
sales@babyhood.com.au | www.babyhood.com.au

M0719-07

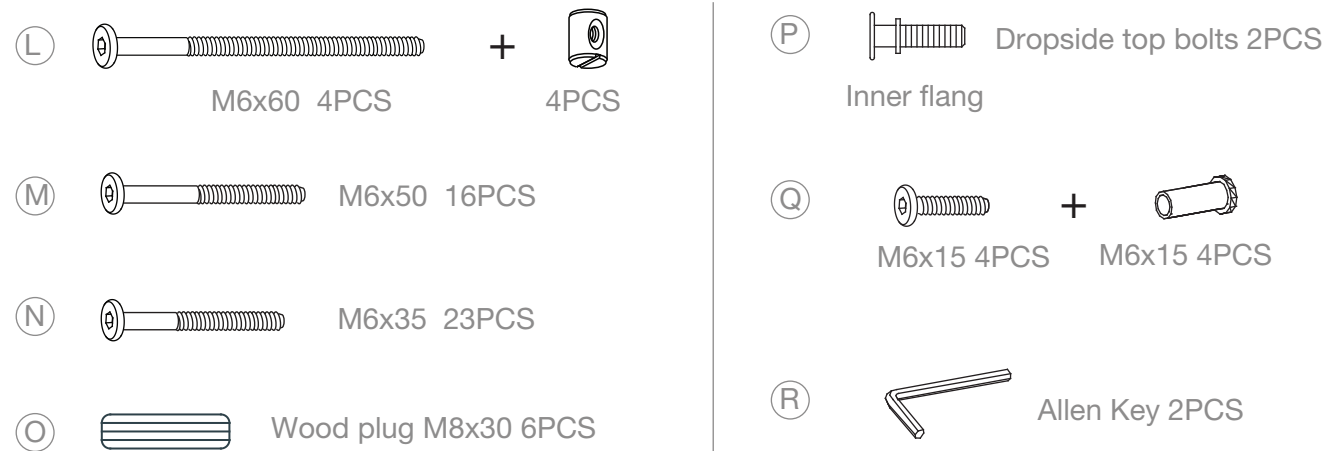
www.babyhood.com.au

© Copyright Bobby Bebe Pty Ltd. All rights reserved 2019

babyhood[®]
AUSTRALIA



Hardware List in Hardware Package



babyhood nursery products carry a 1 year from date of purchase manufacturer's fault warranty.

This warranty excludes:

- General wear and tear.
- Damage caused, by the product not being used in accordance with its instructions or the care instructions.
- Damage caused by misuse or negligence.
- Damage caused by improper transporting and handling including the packaging being opened incorrectly.
- Any product that may have been altered in design or colour.
- Any product that is not used for its intended purpose.

All warranty claims must be lodged directly with the store of purchase. An original and valid tax invoice must be provided to the store of purchase to lodge a warranty claim.

This warranty is a back to base warranty. The cost of freight to and from the store of purchase or the manufacturer is the responsibility of purchaser of the product.

If the product is under warranty, babyhood will replace or repair any defective part (at its complete discretion).

In the event of a product being replaced, as a whole unit or part thereof during the warranty period, the warranty on the replacement will expire 1 year from the original purchase date.

All warranty claims must be lodged at the place of original purchase together with proof of purchase (which must be provided in order to lodge a warranty claim) and the actual part in question. Your babyhood stockists will be able to lodge your claim in writing through our babyhood customer service department.

Our goods come with guarantees that cannot be excluded under the Australian Consumer Law. You are entitled to a replacement or refund for a major failure and for compensation for any other reasonably foreseeable loss or damage. You are also entitled to have the goods repaired or replaced if the goods fail to be of acceptable quality and the failure does not amount to a major failure.

MADE IN CHINA

Thank you for purchasing a quality babyhood product

We have compiled some tips on how you can enjoy your babyhood product for longer:

Room Climate Control

Wood, when first cut contains more than 50 percent water. When it is prepared for furniture construction it is placed in a kiln and the moisture content is brought down to 8 to 10 percent. Wood is porous and responds to its environment. If the room has high humidity it will absorb it and expand and if the humidity is low it will lose moisture and shrink.

It is important that the humidity levels in the room be controlled from extremes of too much humidity or too little. Furniture should not be placed close to air-conditioning outlets, fire places, radiators, space heaters, humidifiers or dehumidifiers. Exposure to extreme variations of temperature and humidity can damage any fine wood product.

The Ideal Environment for Fine Furniture

Fine wood furniture will have fewer problems when its environment is controlled at a temperature between 18 and 24 degrees celsius and a relative humidity between 35 and 40 percent. Wood placed in an environment outside of those limits can and will shrink or expand and may develop some small cracks which are not material or structural defects.

We do not recommend using synthetic fabric under accessories or lamps as this may impact on the colour of the timber. Oils from potpourri and other scented items can also damage the furniture finish. It is advised that you do not drag items across the surface of the furniture and allow the surface to breath by rotating your accessories and lamps.

Do not over polish the furniture, do it only two or three times a year. Over polishing can distort the natural finish of the product. In addition, you should not wax the furniture as wax build up can destroy the natural finish of the product.

When moving furniture always lift the unit, do not push or drag it to avoid damage to legs. Keep the furniture level so doors and drawers open and close freely.

Clean any spills immediately with a soft, clean and damp, not wet cloth and do not use abrasive cleaners.

Sticking Doors and Drawers

With the minor changes in temperature and humidity doors and drawers may swell and be difficult to open or close. Tolerances have been built into the units but extreme conditions may still cause sticking. This will adjust back to normal over time but until it does consider using a dehumidifier or rub candle wax or paraffin on the sides that stick.

Avoid Direct Sunlight

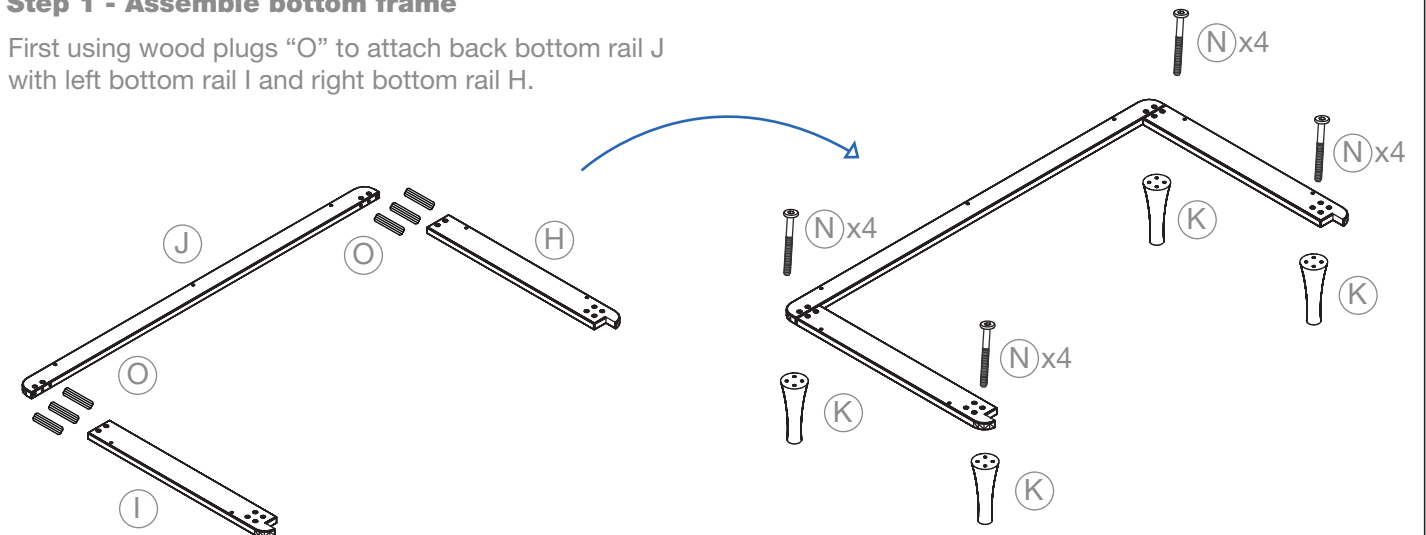
Keep the furniture out of direct sunlight. Ultraviolet rays will fade colours and in some cases darken them. It can also cause crazing or hair line cracks in the finish. White finishes will yellow naturally over time and exposure to direct sunlight will hasten this natural process along with some woods darkening naturally over time; this is not considered to be a quality defect.

Proper Storage

If you need to put your furniture in storage for any period of time do not store them in a damp basement or hot dry attic. Allow air movement around the furniture and do not stack anything on it.

Step 1 - Assemble bottom frame

First using wood plugs "O" to attach back bottom rail J with left bottom rail I and right bottom rail H.

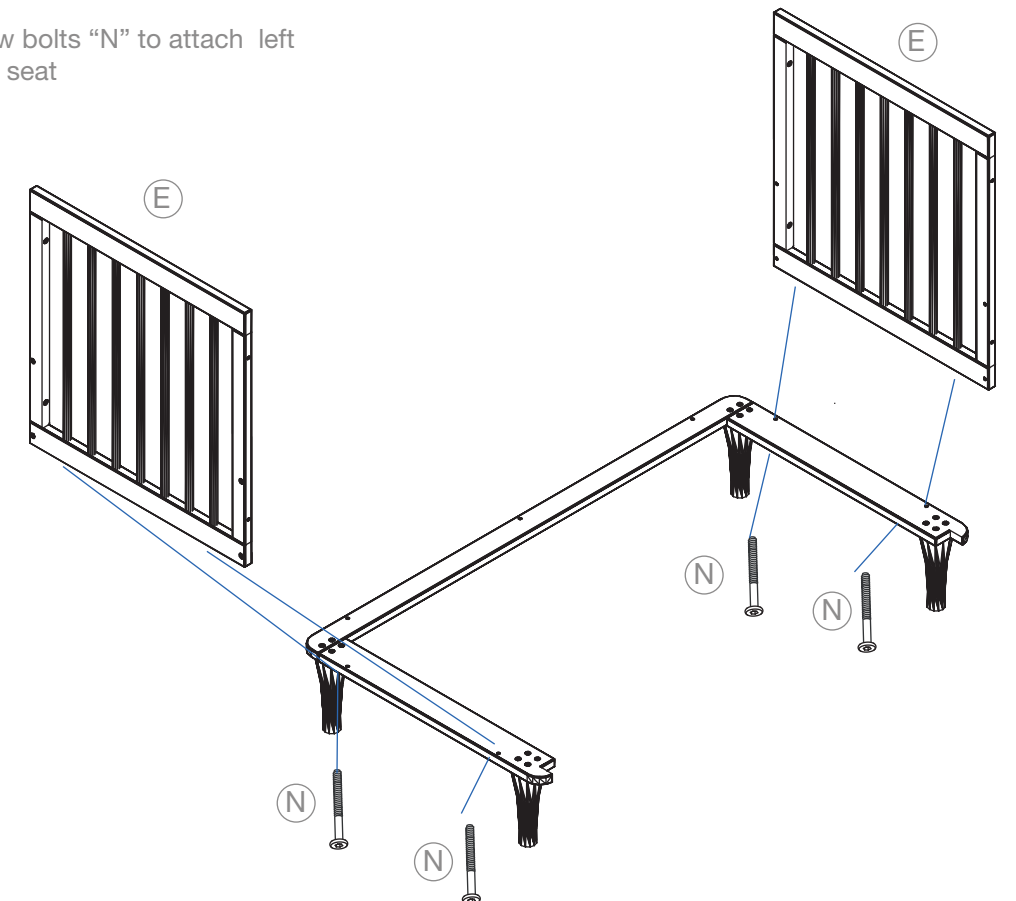


Then using 16pcs of 35mm long screw bolts "N" to attach bottom frame with 4 legs.

Step 2 - Assemble ends

Using 4pcs of 35mm long screw bolts "N" to attach left side and right side with bottom seat

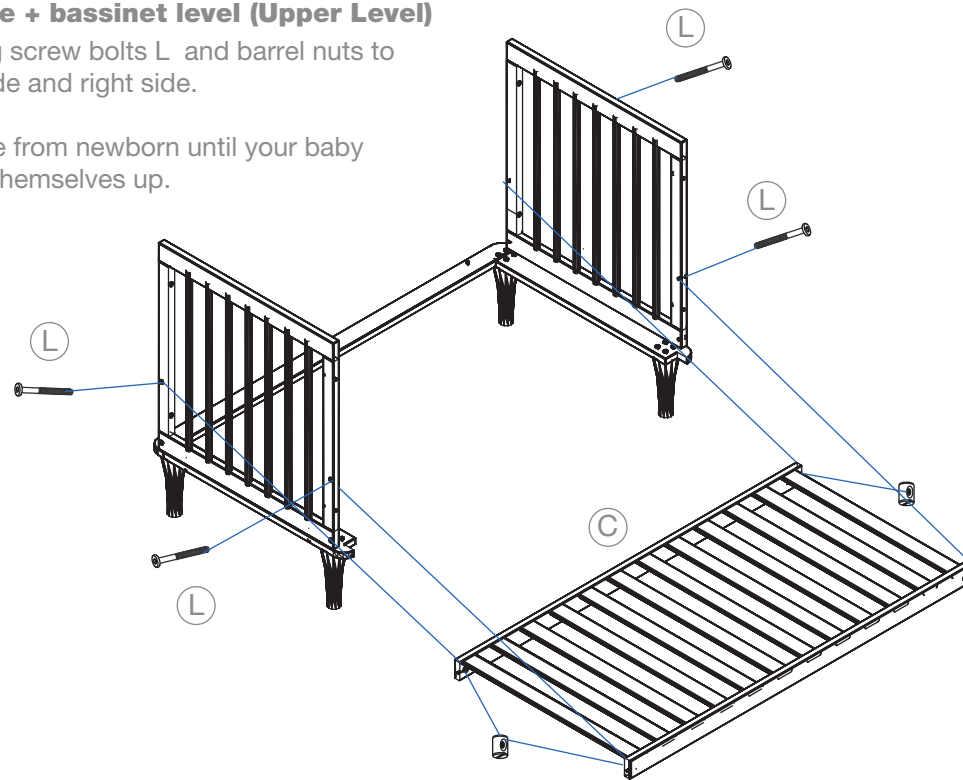
NOTE: Do not tighten bolts



Step 3 - Assemble base + bassinet level (Upper Level)

Using 4pcs of 60mm long screw bolts L and barrel nuts to attach base C with left side and right side.

Note: This level is suitable from newborn until your baby can sit up unaided or lift themselves up.



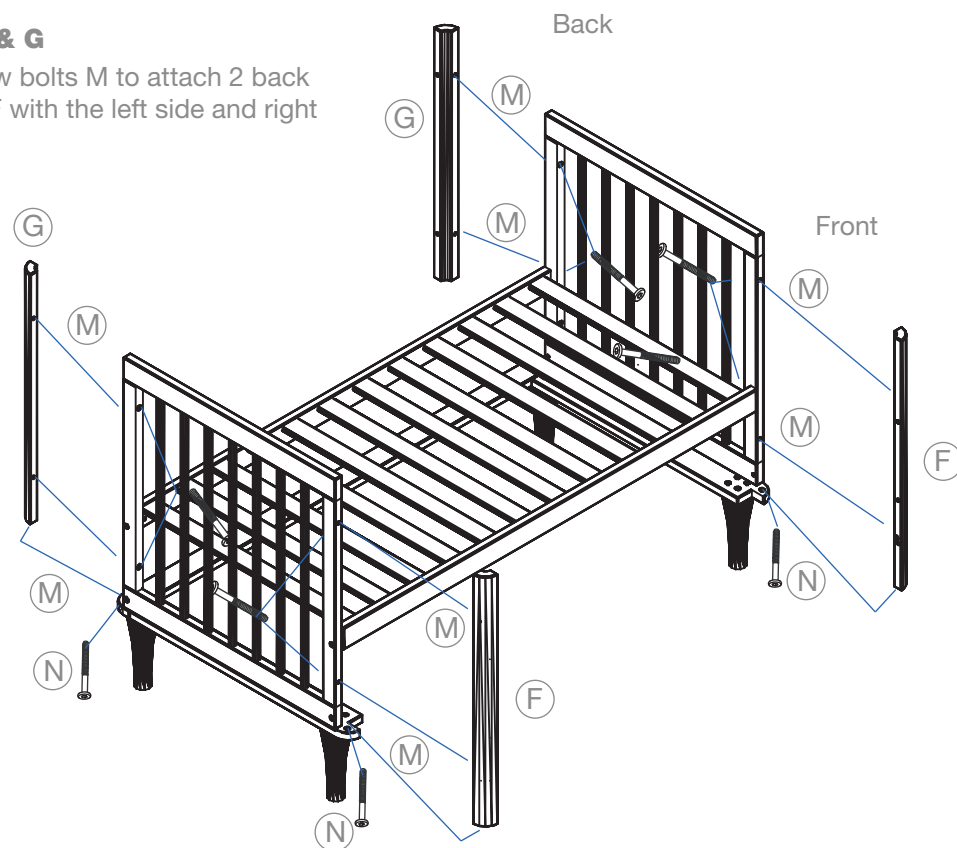
Step 4 - Attach corners F & G

Using 8pcs of 50mm long screw bolts M to attach 2 back corners G and 2 front corners F with the left side and right side.

Note: Do not tighten bolts.

And using 4pcs of 35mm screw bolts N to fix the corner from bottom of left board and right board of the base.

Note: Do not tighten bolts.



Step 8 - Continue to attach the toddler rail

Using 4 pcs of 50mm long screw bolts to attach toddler bed rail to the front corners. Then tighten all screws.



Step 9 - Create a day bed

Remove the dropside and dropside head to convert to day bed. Loosen the screws of the base about 8-10mm each end to get enough gap to take the dropside bottom pin out. First disengage both bottom spring pins. Then disengage both top dropside heads.



Step 10 - Cot level

Lower base to the lower level once your baby can sit up unaided or lift themselves up.

Follow Step 3 but with the base positioned in the lower level.

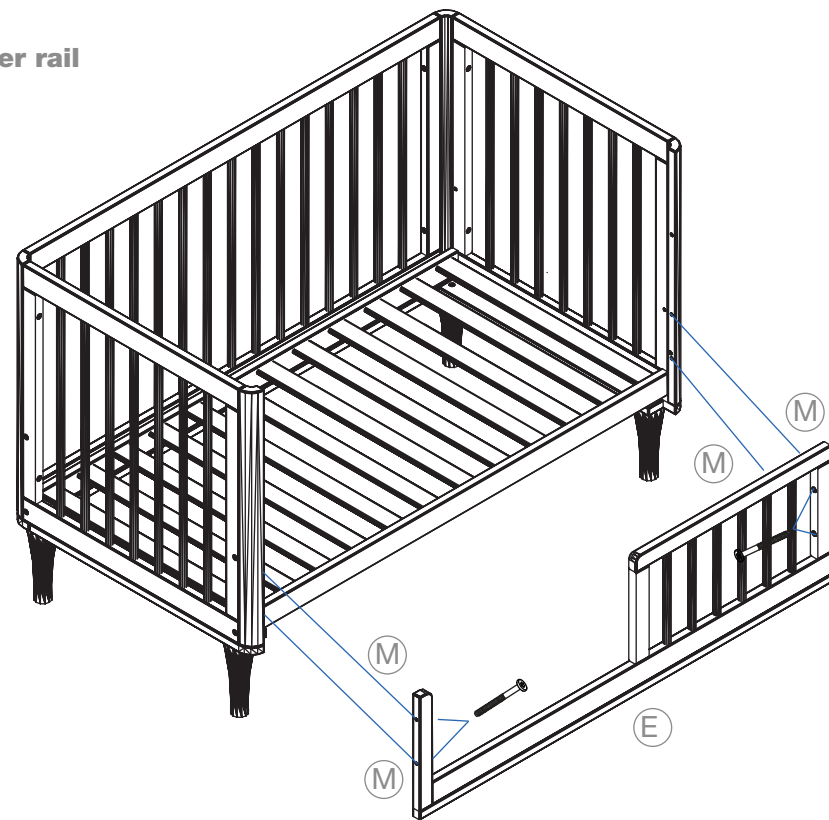


Step 11 - Taking the dropside off

1. Loosen all the bolts around the cot. Do not over loosen as the cot may fall apart.
2. Disengage the dropside from the lower pins. Move the dropside away from the end to expose the pins and release it from the runner. Repeat on the other side.
3. Pull the dropside up until it cannot go further, then pull/pop the right side out, then do the other side.

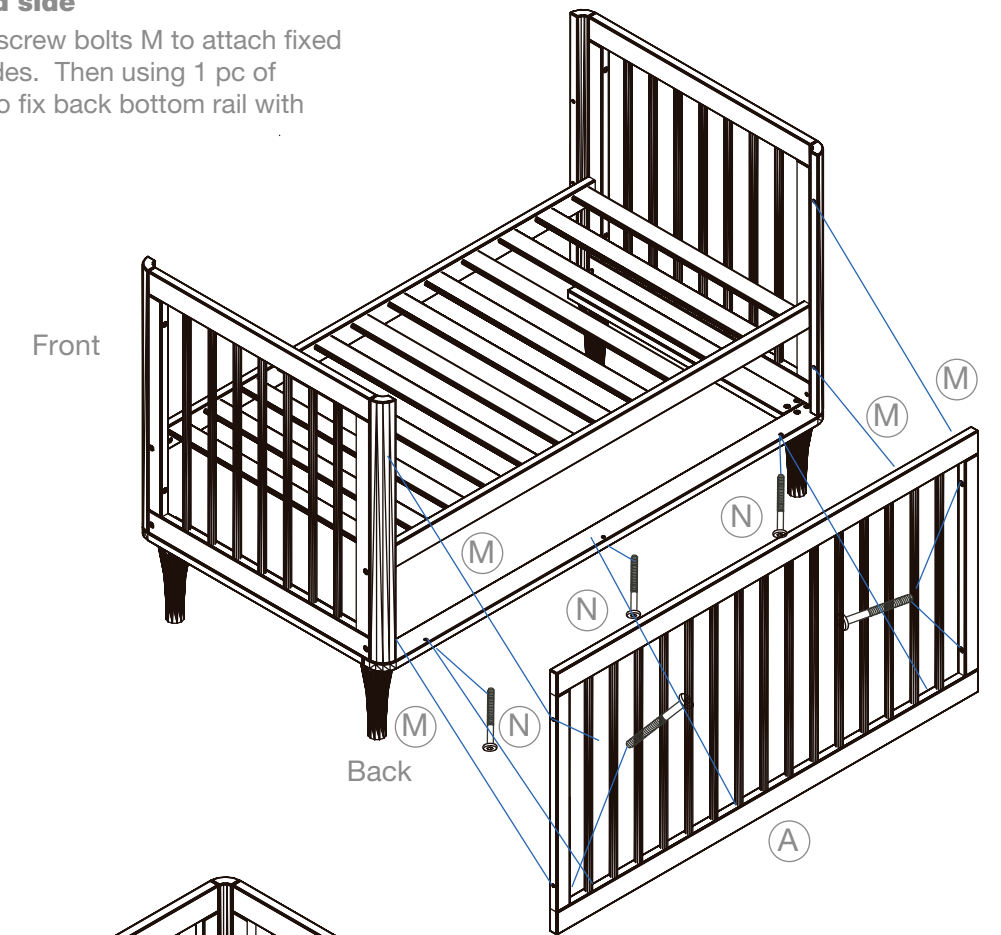
Step 12 - Attaching the toddler rail

Attach part E with bolts M as indicated

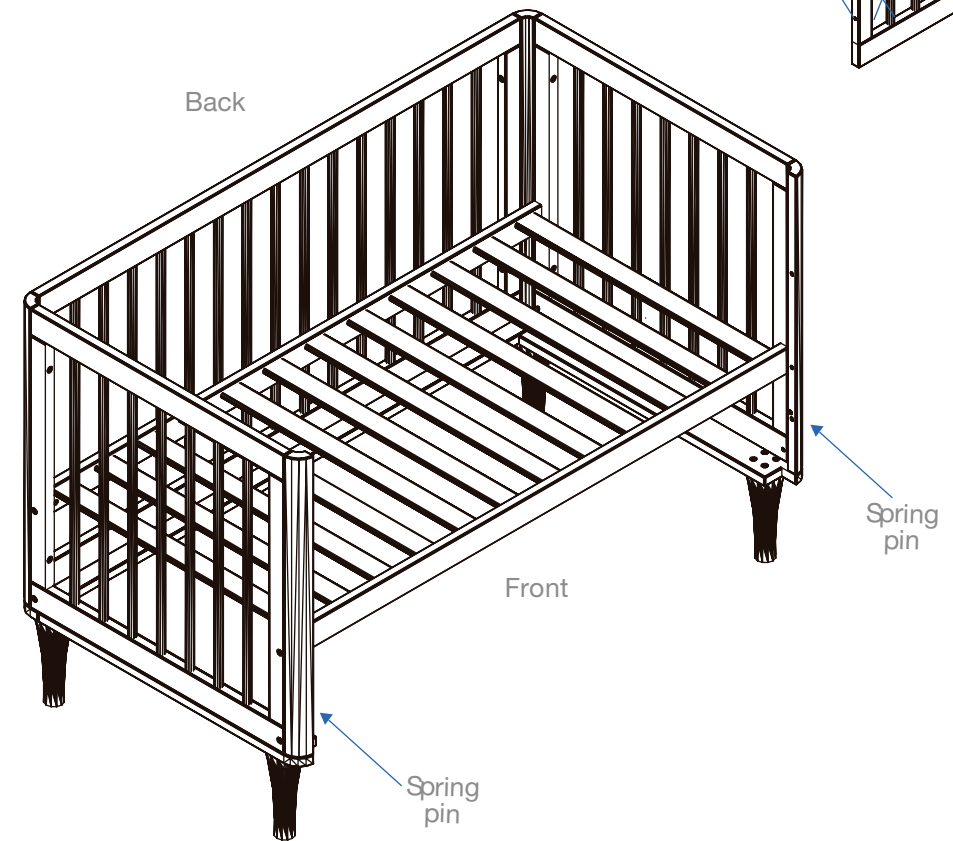


Step 5 - Attach the fixed side

Using 4 pcs of 50mm long screw bolts M to attach fixed side A with left and right sides. Then using 1 pc of 35mm long screw bolts N to fix back bottom rail with fixed side.



Back

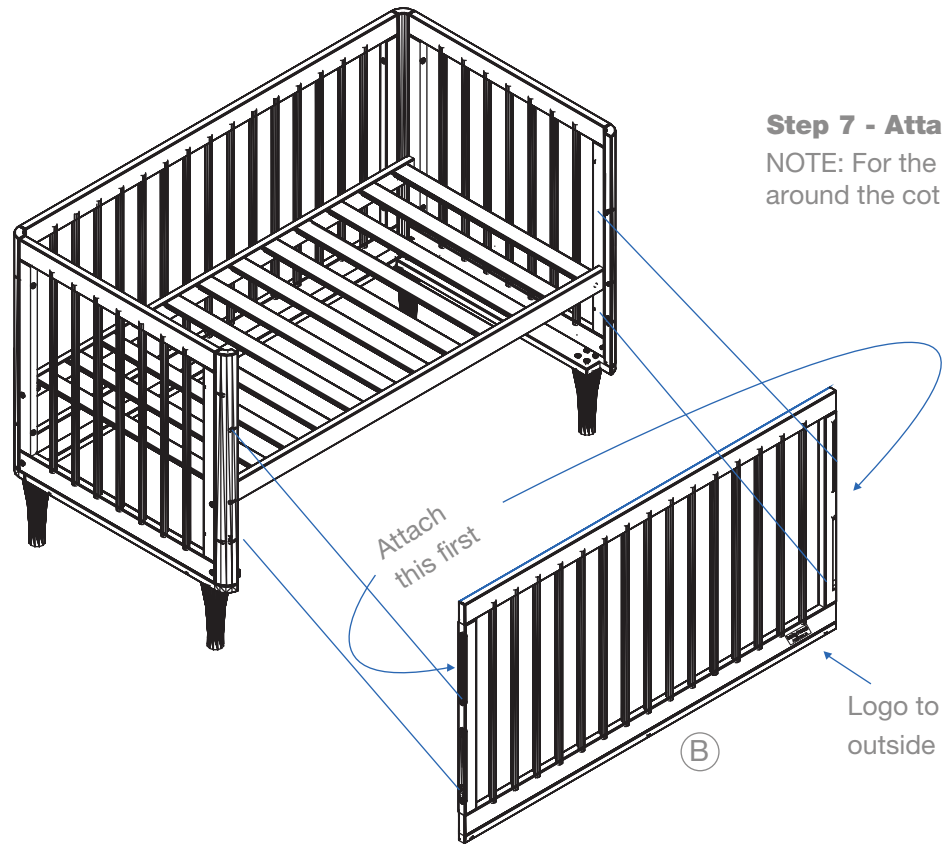
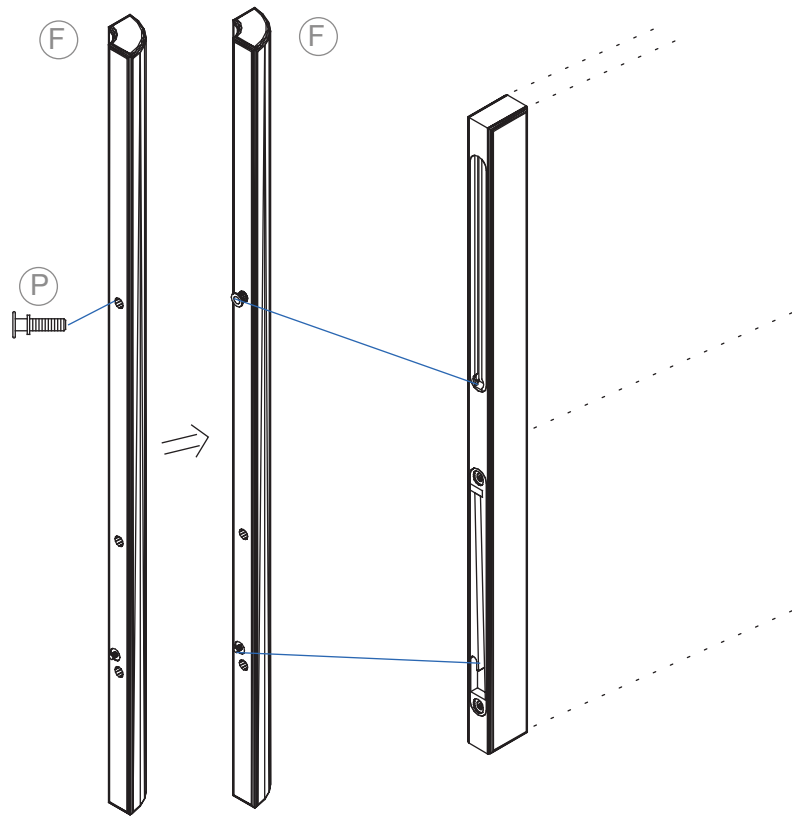


Front

Step 6 - Prepare corners

Screw in dropside head P to front corner part F as indicated.

Repeat step for the second part F.



Step 7 - Attach the dropside

NOTE: For the dropside to be attached the bolts around the cot must not be tightened

NOTE: PLEASE NOTE THE SIDE WITH LOGO IS OUTSIDE OR EXTERNAL

Step 8- Test your dropside

Once your dropside is attached, please test the dropside and ensure it is running smoothly.

If the dropside is tight do not force it down as you will damage your cot. Instead loosen the dropside bolts as they have been over tightened.



Contact your retailer of purchase if you have any questions.

Step 9 - Covering the holes

Ensure all open holes are securely closed with the screw and cap Q.



Your cot is ready to use

Using your single hand dropside

- A** Raising the dropside – using one hand hold the top rail and raise the dropside to lock into place.
- B** Lowering the dropside – using one hand hold the top rail and raise the dropside. While holding this position push using the side of your leg against the lower bar of the dropside. This push action will unlock the dropside. Once unlocked lower the dropside to its lower resting position.
- C** Always operate our dropside from the center of the cot. Do not push your dropside without lifting first, as you will break your dropside.

