

Kaylula Mila Cot Instruction Manual

WARNING

Recommended mattress size:
690mm wide x 1295mm long x 100mm thick

To prevent falls, the maximum mattress thickness
should not exceed 100mm

To prevent falls, the mattress base of this cot should
be adjusted to the lowest position before the child can
sit up

Product may vary slightly for pictures and drawings



Recommended mattress size.

This cot has been manufactured for specific use with a mattress which measures 690mm wide by 1295mm long and 100mm thickness. The width and length are specified because it is important that the gaps between the mattress and the sides and ends of the cot will not exceed 40mm when the mattress is pushed to one side or end. This is to minimize the risk of a child's limb becoming caught in the gap. We recommend using a babyhood mattress for a perfect fit.

The thickness of the mattress has been specified to ensure that the depth of the cot is greater than 500mm with the mattress base in the lower position to minimize the risk of a child climbing or falling out of the cot.



!  Two adults required for assembly.

! Follow instructions to ensure safety is not compromised.
Keep for future reference.

SAFETY INFORMATION - Please Read Before Use

Before use, remove and dispose of all plastic bags and packing materials and keep them out of reach of children.

- . To ensure the safety of your cot is not compromised, assemble your cot to the manufacture's instruction.
- . **WARNING : TO PREVENT FALLS, THE MATTRESS BASE OF THIS COT SHOULD BE ADJUSTED TO THE LOWEST POSITION BEFORE THE CHILD CAN SIT UP.**
- . Child's safety relies on **ADULT SUPERVISION**. Remember your child's safety is your responsibility.
- . This cot is designed for children of a maximum mass of 25kg and is **NOT** designed to withstand the weight of an adult climbing on it or in it.
- . Toys and bedding that are capable of being used as climbing devices should **NOT** be left on or in the cot while the child is unattended.
- . Keep this product away from fire, direct heat sources, curtains, blinds or power points.
- . Strings and elastics can cause strangulation, do not tie or suspend toys or playthings over the cot.
- . Always ensure items such as medication, small toys or any small items such as money are out of your child's reach while in the cot.
- . If your cot should become damaged, do not use it and contact your store of purchase immediately.
- . Always ensure that the correct size of mattress is used as specified by the manufacturer's instructions.
- . Do not place toys in your cot which may injure your child in a fall.
- . Regularly inspect the cot to ensure that all joints, fasteners and catches are undamaged and are in full working order.
- . Do not allow children to stand on the railings on the outside of the cot as this will damage your cot.

babyhood[®]
AUSTRALIA

132 Compton Road Woodridge QLD Australia - 4114
sales@babyhood.com.au | www.babyhood.com.au

www.babyhood.com.au

© Copyright Bobby Bebe Pty Ltd. All rights reserved 2018

babyhood[®]
AUSTRALIA

Thank you for purchasing a quality babyhood product

We have compiled some tips on how you can enjoy your babyhood product for longer:

Room Climate Control

Wood, when first cut contains more than 50 percent water. When it is prepared for furniture construction it is placed in a kiln and the moisture content is brought down to 8 to 10 percent. Wood is porous and responds to its environment. If the room has high humidity it will absorb it and expand and if the humidity is low it will lose moisture and shrink.

It is important that the humidity levels in the room be controlled from extremes of too much humidity or too little. Furniture should not be placed close to air-conditioning outlets, fire places, radiators, space heaters, humidifiers or dehumidifiers. Exposure to extreme variations of temperature and humidity can damage any fine wood product.

The Ideal Environment for Fine Furniture

Fine wood furniture will have fewer problems when its environment is controlled at a temperature between 18 and 24 degrees celsius and a relative humidity between 35 and 40 percent. Wood placed in an environment outside of those limits can and will shrink or expand and may develop some small cracks which are not material or structural defects.

We do not recommend using synthetic fabric under accessories or lamps as this may impact on the colour of the timber. Oils from potpourri and other scented items can also damage the furniture finish. It is advised that you do not drag items across the surface of the furniture and allow the surface to breath by rotating your accessories and lamps.

Do not over polish the furniture, do it only two or three times a year. Over polishing can distort the natural finish of the product. In addition, you should not wax the furniture as wax build up can destroy the natural finish of the product.

When moving furniture always lift the unit, do not push or drag it to avoid damage to legs. Keep the furniture level so the dropside is easily operated.

Clean any spills immediately with a soft, clean and damp, (not wet cloth) and do not use abrasive cleaners.

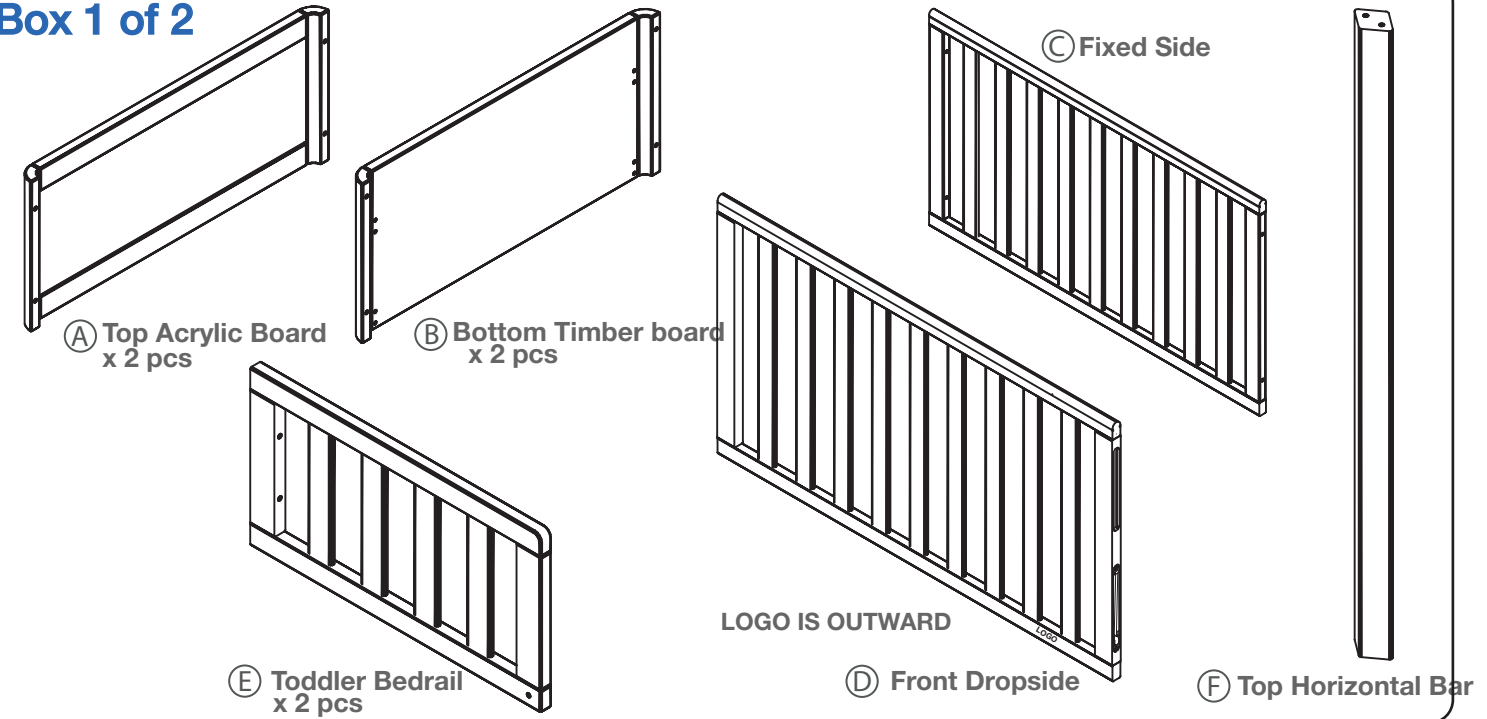
Avoid Direct Sunlight

Keep the furniture out of direct sunlight. Ultraviolet rays will fade colours and in some cases darken them. It can also cause crazing or hair line cracks in the finish. White finishes will yellow naturally over time and exposure to direct sunlight will hasten this natural process along with some woods darkening naturally over time; this is not considered to be a quality defect.

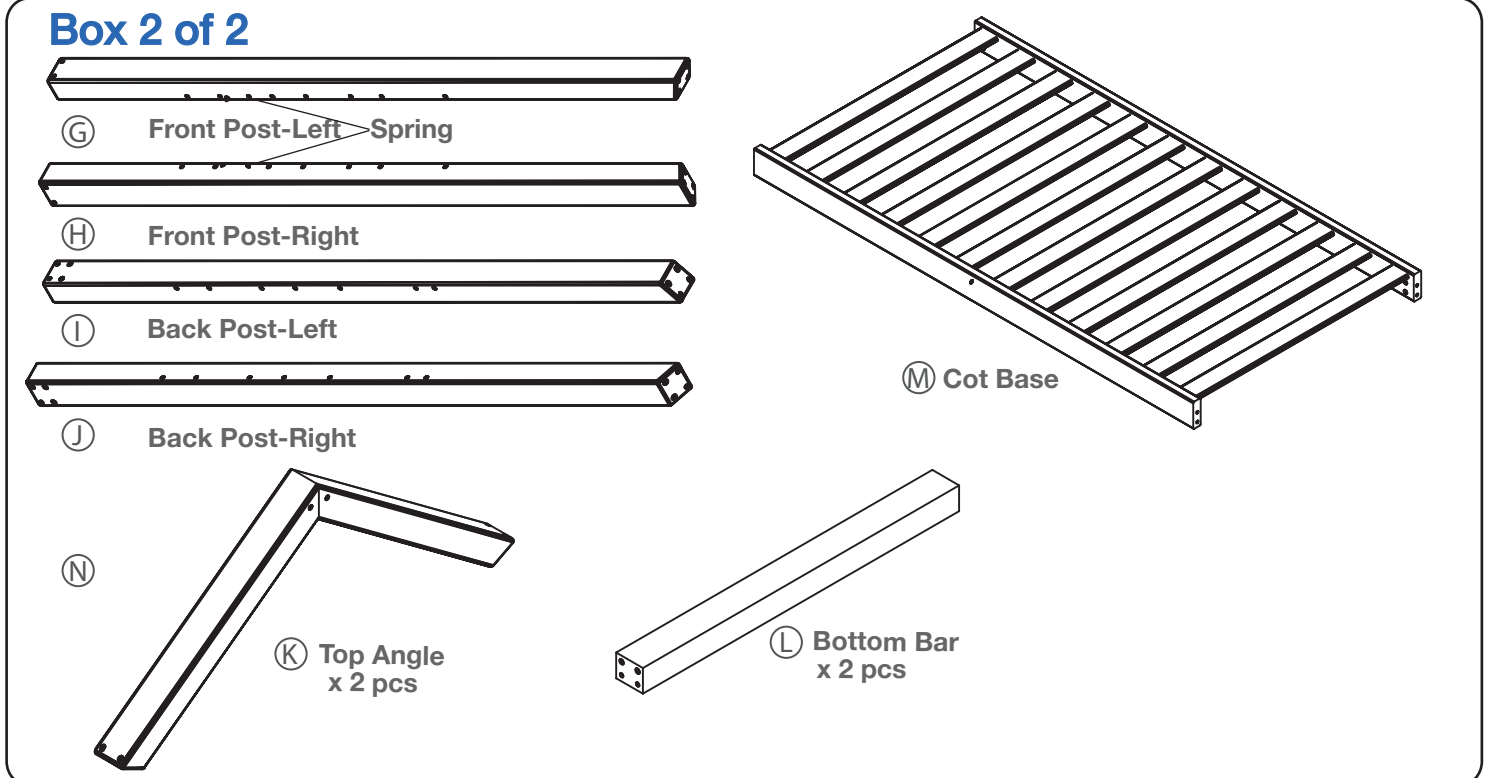
Proper Storage

If you need to put your furniture in storage for any period of time do not store them in a damp basement or hot dry attic. Allow air movement around the furniture and do not stack

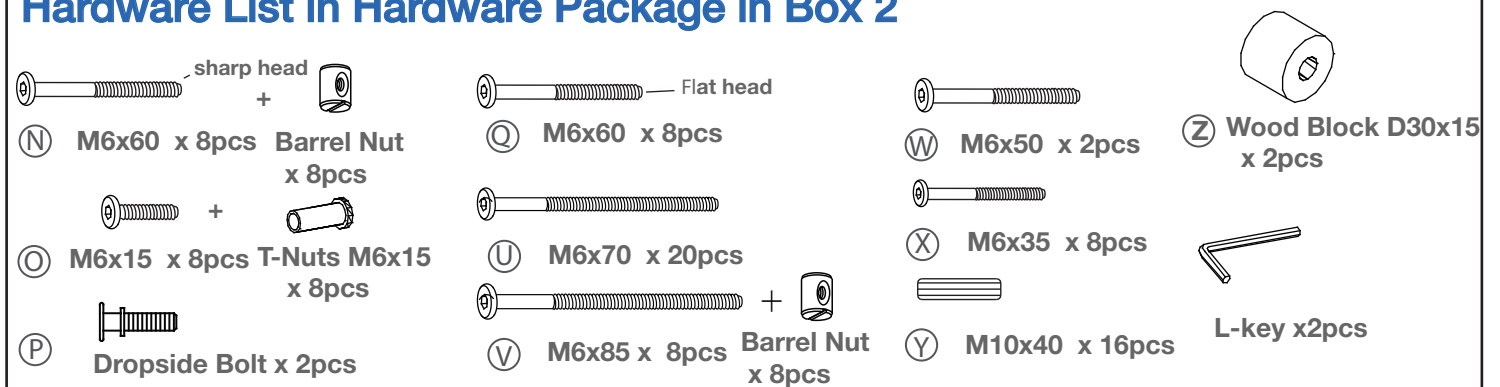
Box 1 of 2



Box 2 of 2

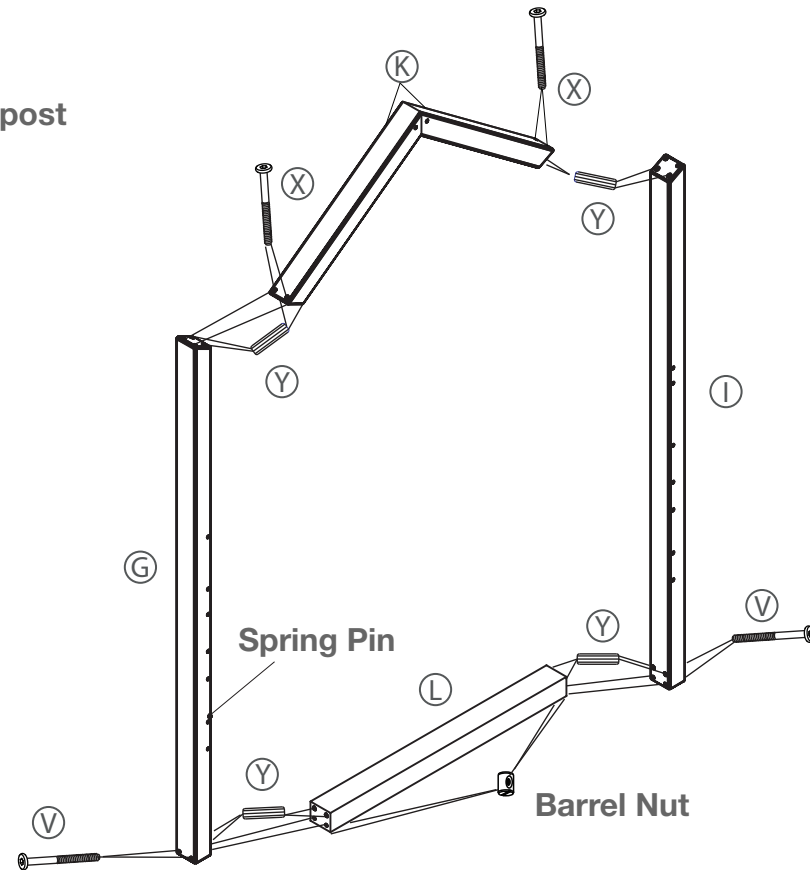


Hardware List in Hardware Package in Box 2



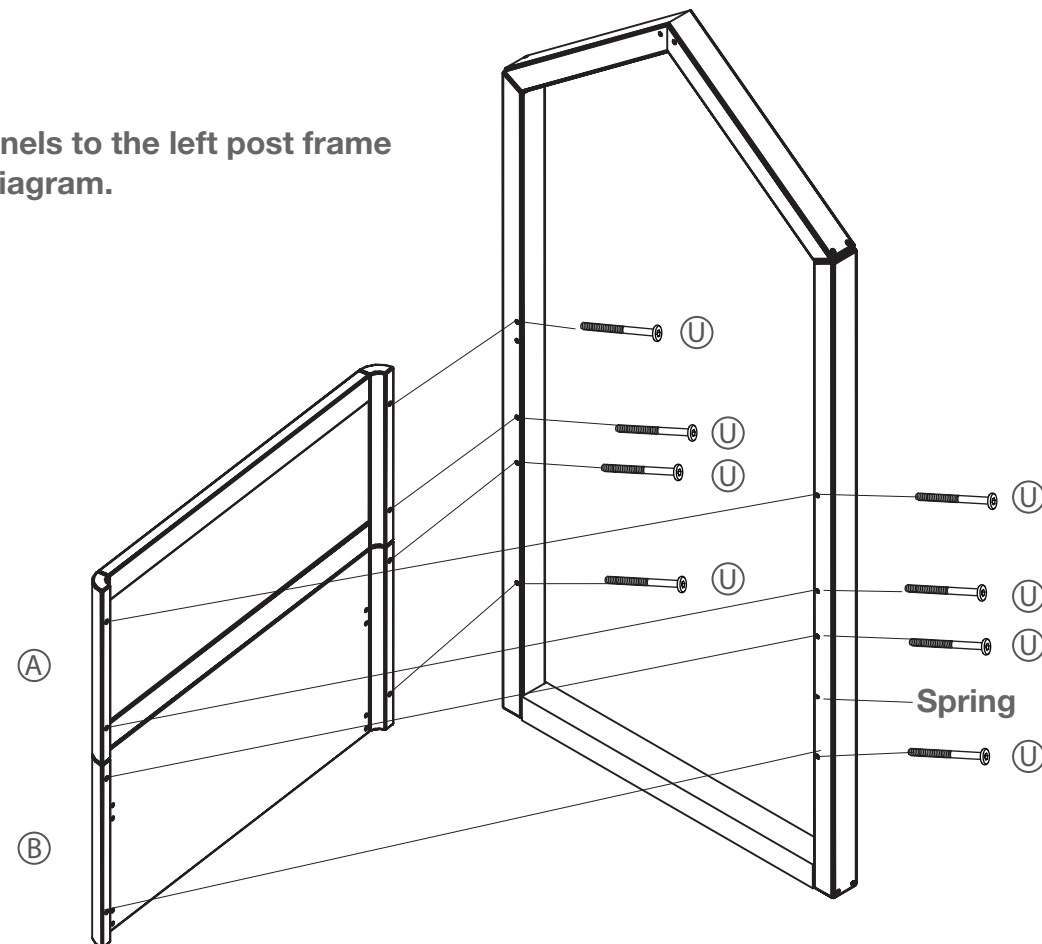
Step 1 Assemble Left Posts

Assemble as per diagram the left post frame.



Step 2

Assemble side panels to the left post frame as shown in the diagram.



Timber is a natural product; that is part of its beauty, so a colour variation, knots in the timber and grain pattern are both natural and to be expected. We do not colour match timber during fabrication as the waste from such practices would be environmentally irresponsible, so you will see some variations in your products. We believe this is what makes our timber products naturally beautiful. These variations are unavoidable as timber is seasonal and will vary between season, including the way in which the paint appears on different surfaces. These variations will not be considered manufacturing faults or defects under our warranty.

babyhood nursery products carry a 1 year from date of purchase manufacturer's fault warranty.

This warranty excludes:

- General wear and tear.
- Damage caused, by the product not being used in accordance with its instructions or the care instructions.
- Damage caused by misuse or negligence.
- Damage caused by improper transporting and handling including the packaging being opened incorrectly.
- Any product that may have been altered in design or colour.
- Any product that is not used for its intended purpose.

All warranty claims must be lodged directly with the store or purchase. An original and valid tax invoice must be provided to the store of purchase to lodge a warranty claim.

If the product is under warranty, babyhood will replace or repair any defective part (at its complete discretion).

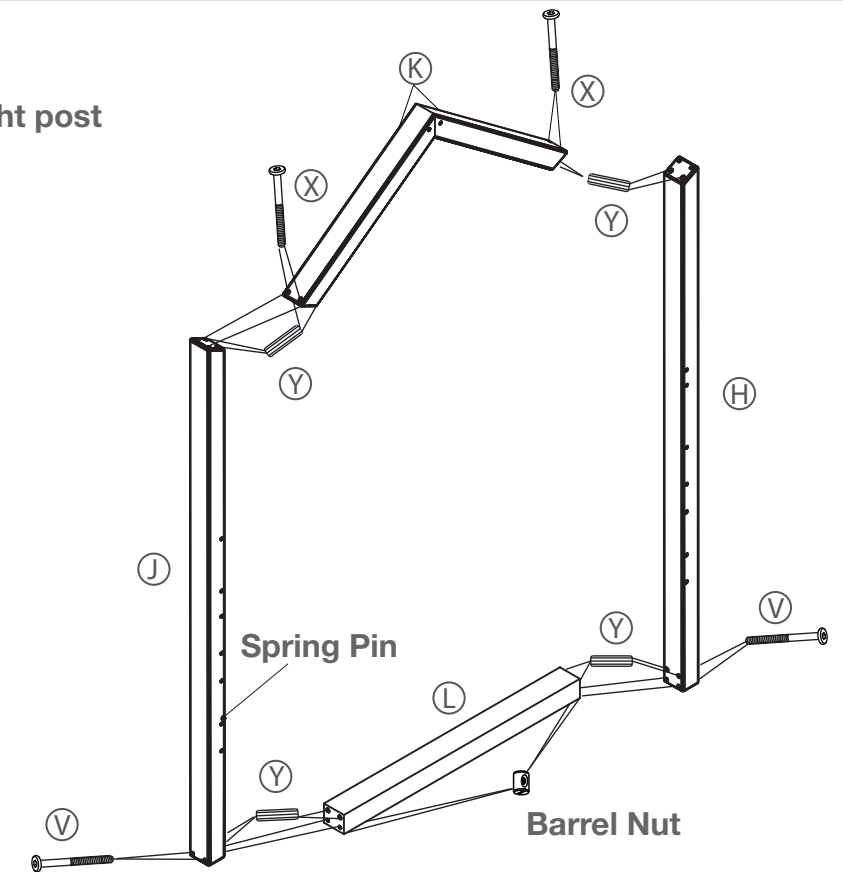
In the event of a product being replaced, as a whole unit or part thereof during the warranty period, the warranty on the replacement will expire 1 year from the original purchase date.

All warranty claims must be lodged at the place of original purchase together with proof of purchase (which must be provided in order to lodge a warranty claim) and the actual part in question.

Your babyhood stockists will be able to lodge your claim in writing through our babyhood customer service department.

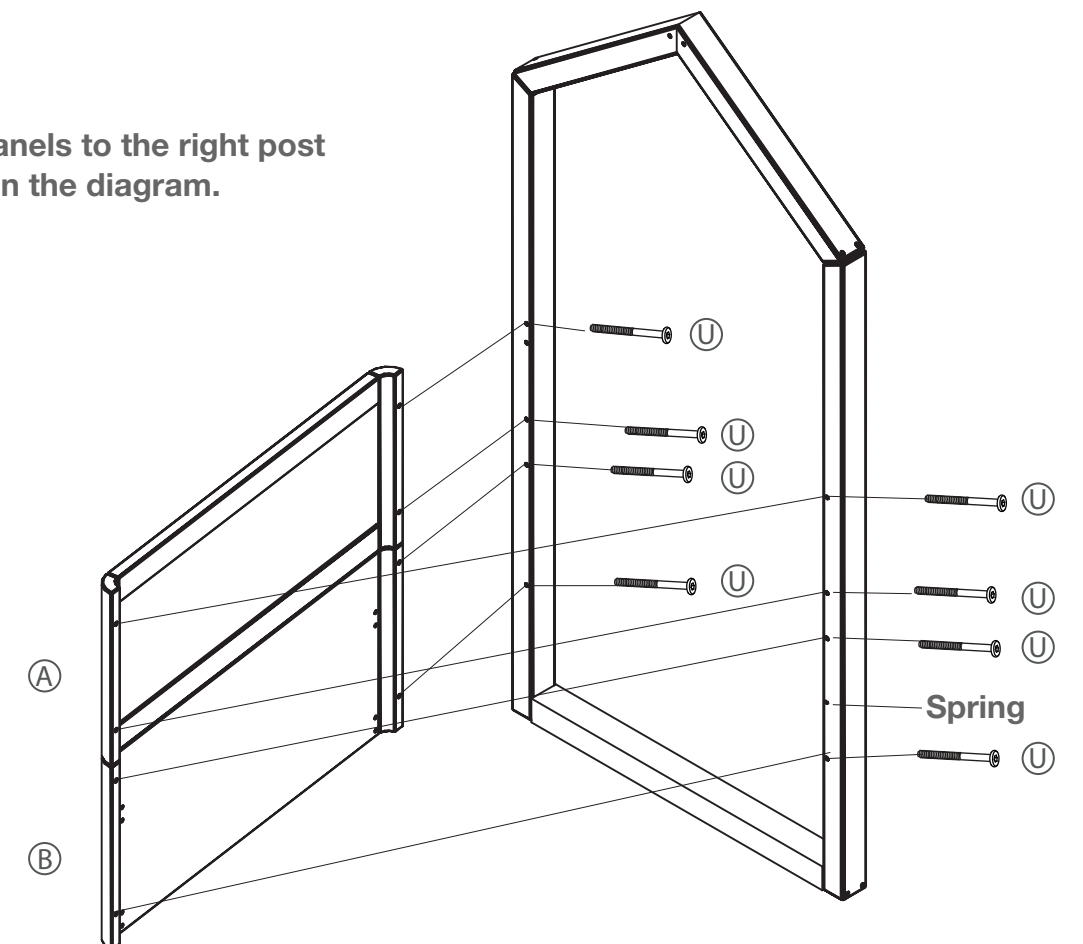
Step 3 Assemble Right Posts

Assemble as per diagram the right post frame.



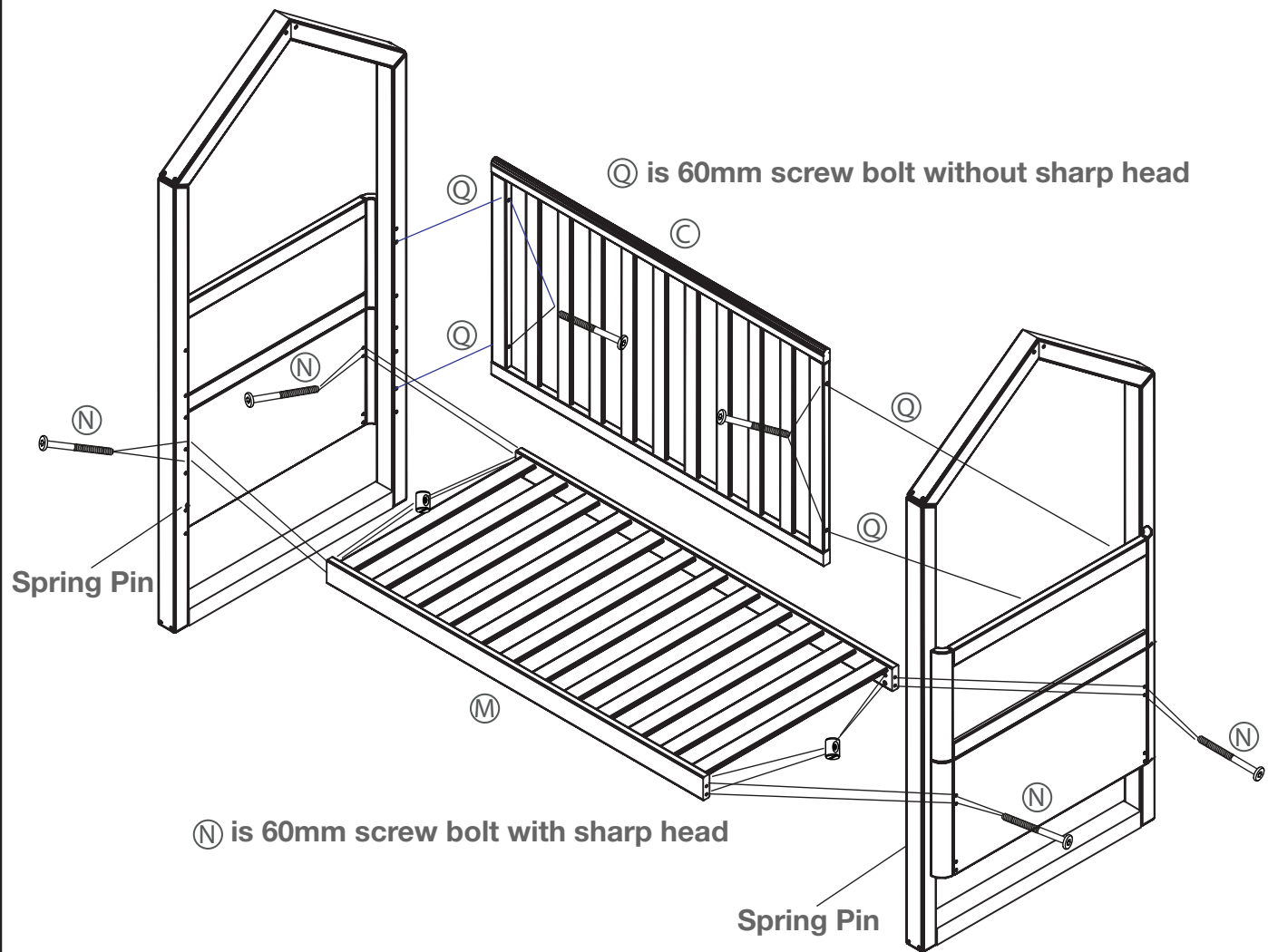
Step 4

Assemble side panels to the right post frame as shown in the diagram.



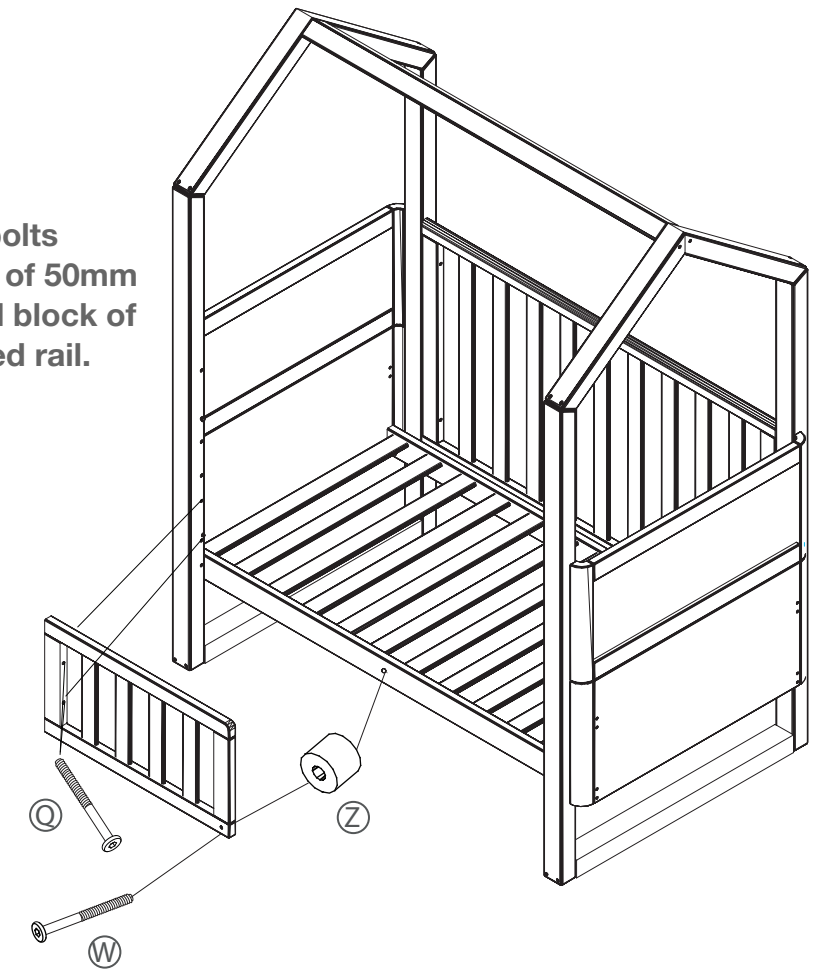
Step 5

Assemble base and fixed side to left side frame and right side frame.

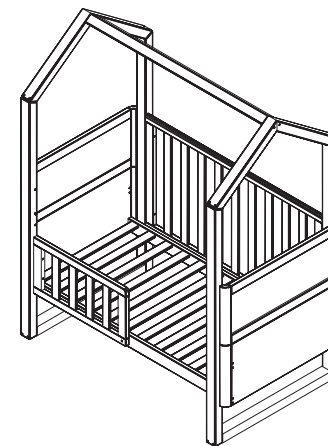


Conversion to Toddler Bed.

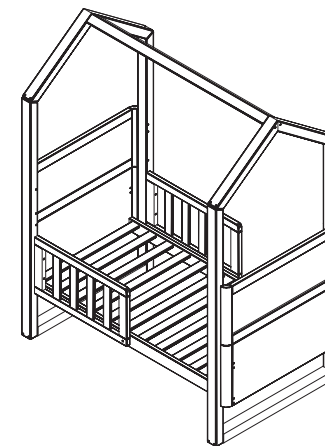
Use 2 pcs of 60mm long screw bolts without sharp point "Q" and 1 pc of 50mm long screw bolt "W", and 1 wood block of D-30 x 15mm for each toddler bed rail.



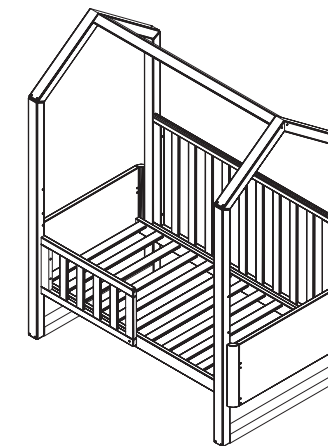
You have a few options for your toddler bed:



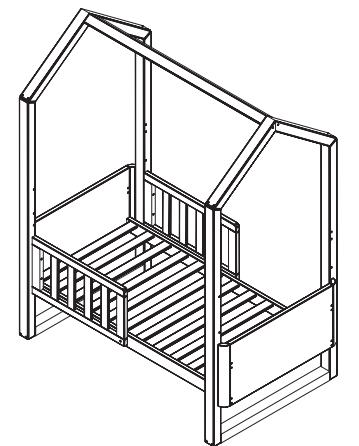
Toddler Bed 1



Toddler Bed 2



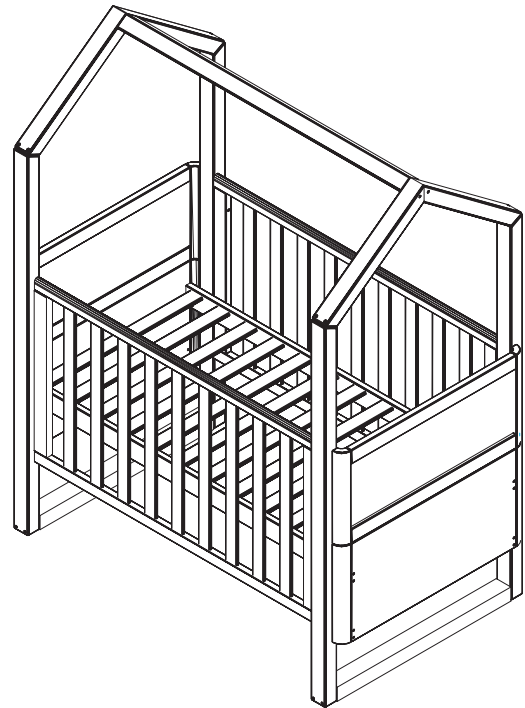
Toddler Bed 3



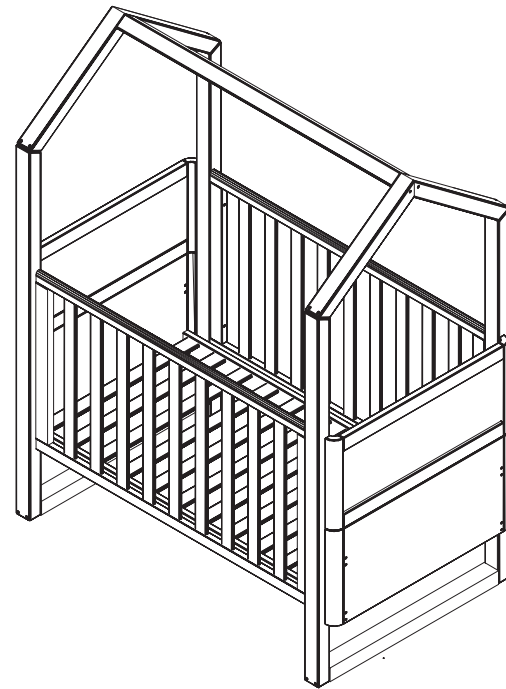
Toddler Bed 4

Base Adjustment + Conversions

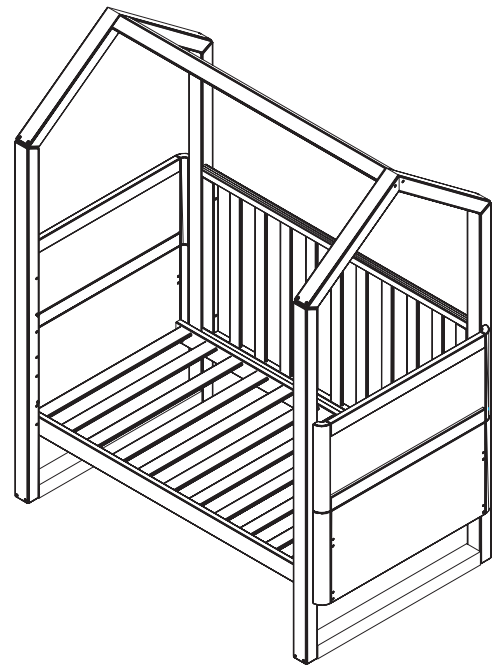
Your Kaylula Mila Cot grows with your baby in the following ways:



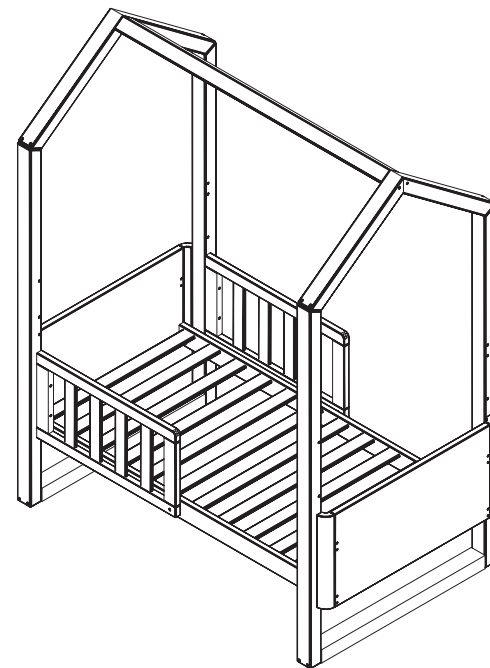
1. Bassinet Level



2. Cot Level



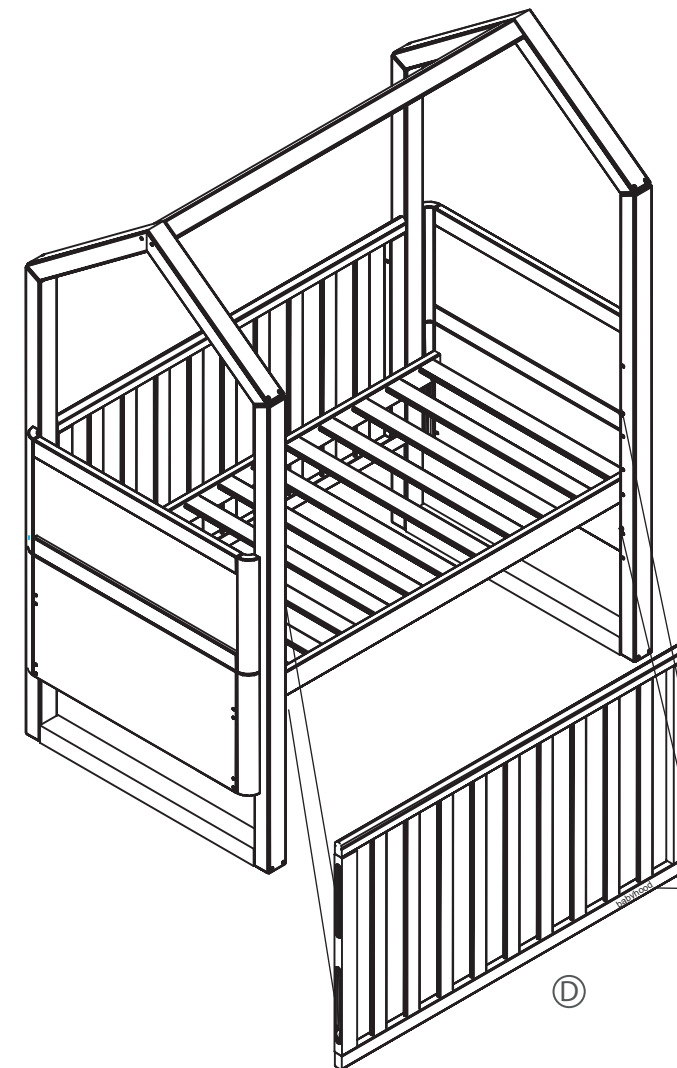
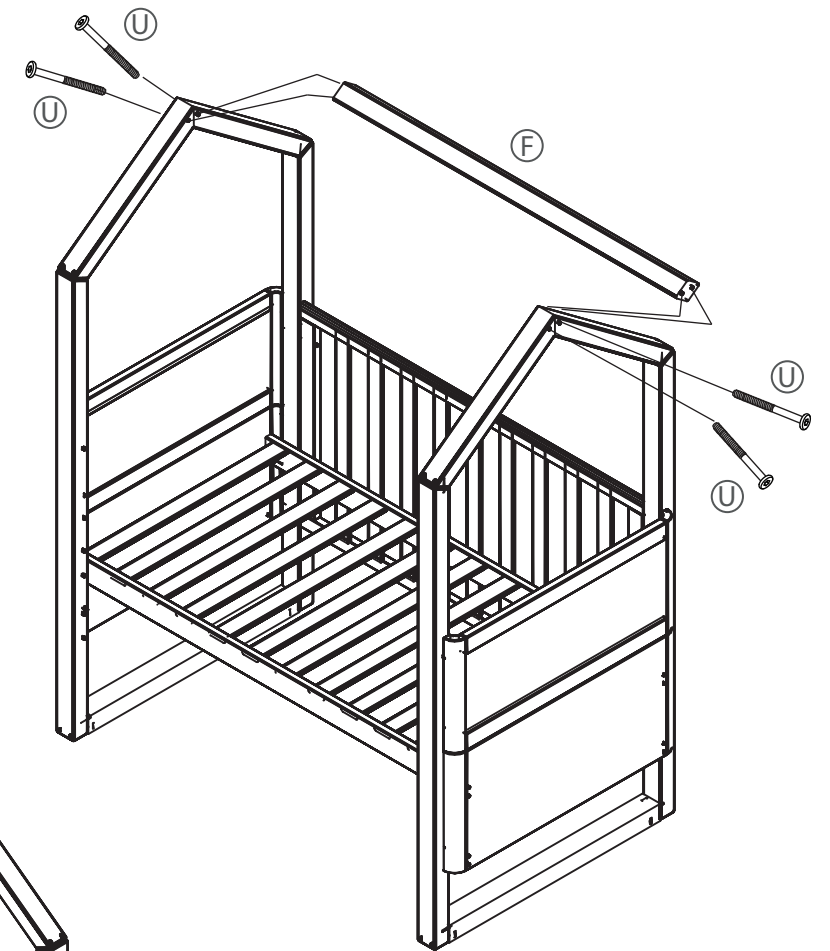
3. Sofa Bed Level



3. Toddler Bed Level

Step 6

Use 4pcs of 70mm long screw bolts to assemble top horizontal bar with left top angle and right top angle.



Step 7 Assemble and Remove Dropside

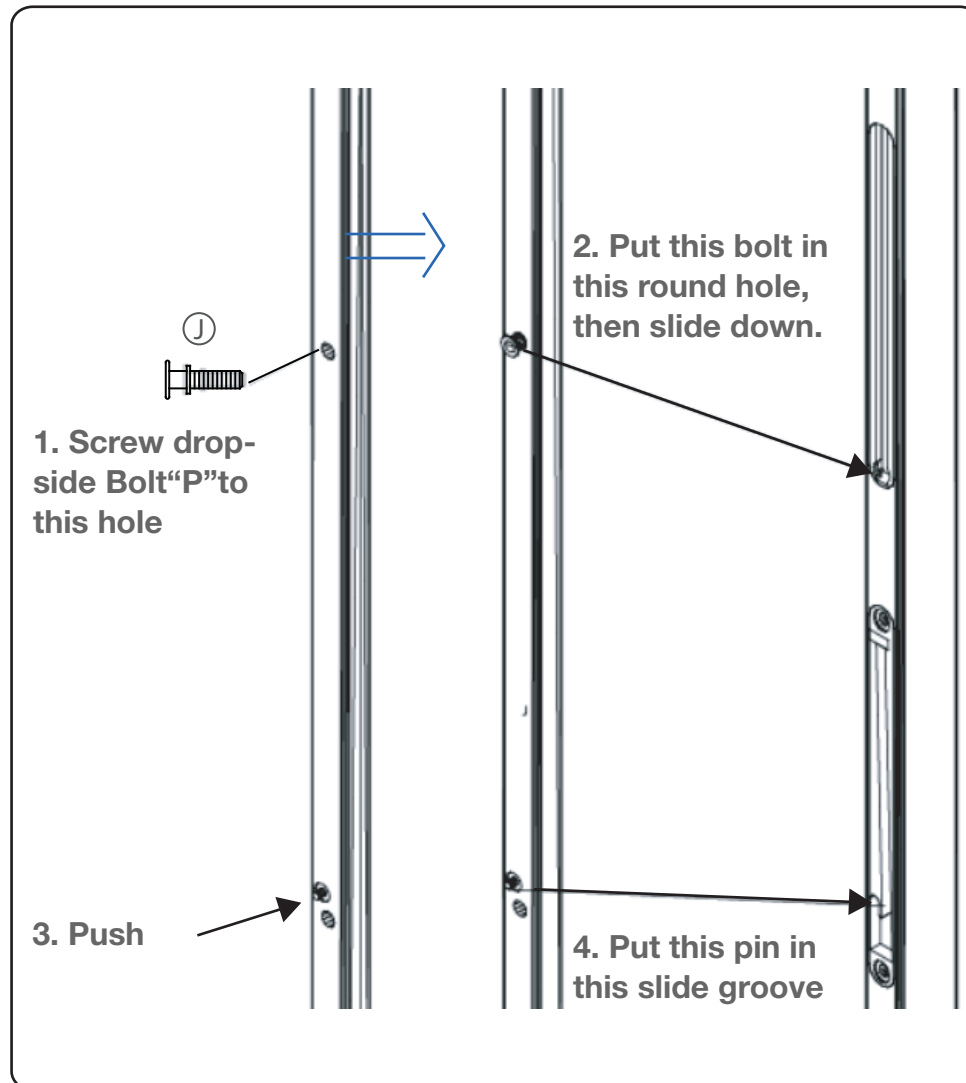
* SEE DETAILS OF HOW TO INSTALL DROPSIDE ON PAGE 6

Logo is outward.

WARNING:
PLEASE NOTE THE SIDE WITH LOGO IS OUTSIDE

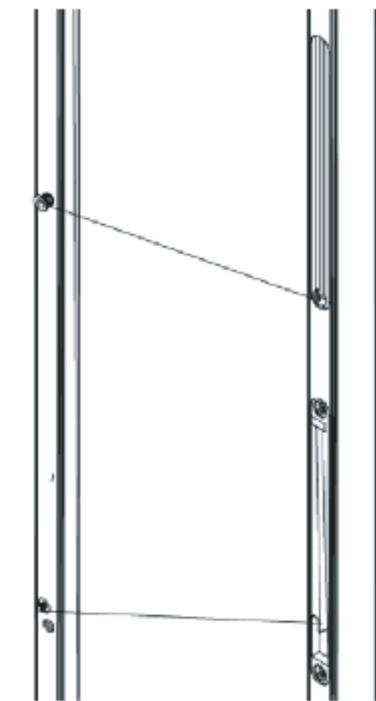
Step 7 Dropside

ASSEMBLE DROPSIDE



REMOVE DROPSIDE

2. Slide the dropside up to top point, then put the head out of this round



1. Loosen the base screws 8-10mm on each end to get enough gap to put this pin out of the groove of

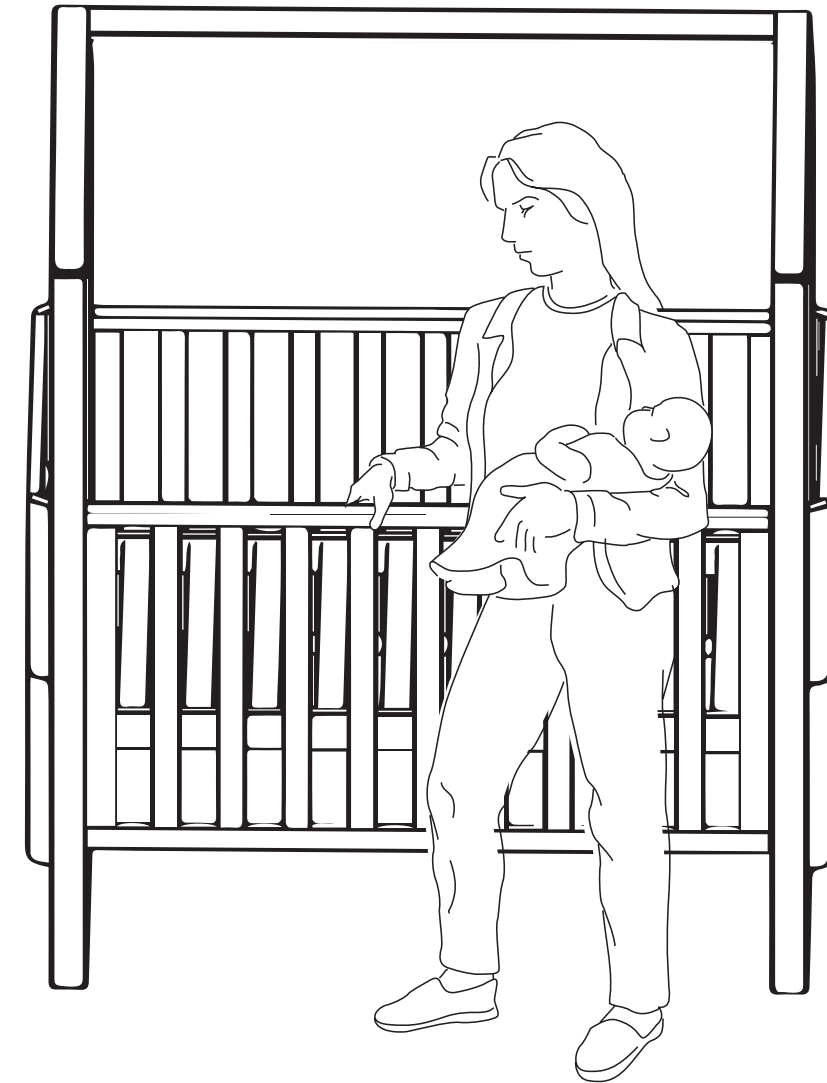
To Install Dropside:

1. You insert drop-side Bolt "P" into the top holes on both sides (see step 7). Tighten firmly.
2. Put a small amount of lubrication on the top pins drop-side bolts & bottom push pins. (We recommend you use vaseline or petroleum jelly).
3. Hold dropside parallel to the ground.
4. Orientate dropside with the logo facing outwards.
5. Insert the cap of drop-side Bolt "P" into the runner of the dropside. Refer to Step 7.
6. Move dropside slowly back and forward to make sure it is freely moving.
7. Bring dropside to vertical position and then insert the pushpins into the bottom runner of dropside, by pushing the pin in and inserting it into the runner. If the pins are not inserted into the runners, the dropside will not be locked in place and will not operate safely or correctly. This will damage your dropside.

Step 8

Close all holes with 8 pcs of screw bolts "O" & "T-Nuts".

Now you cot is ready to use.

**How To Use Your Dropside**

Use one hand to lift the dropside upper bar to the top, then use the side of your leg to push the middle of the dropside lower bar, then push the dropside down slowly to lower the side.

To raise the drop side simply pull the dropside up until the lock is engaged on both

Taking Drop Side Off

1. Loosen the screws of the base around 8-10mm each end to have enough room to take the drop side bottom pin out.
2. Pull the drop side up to move the top screw leg into the big round gap of the plastic drop track, then take screw hat out from the round big gap of the plastic drop track.