

# Fold N Go Cot Instruction Manual

## WARNING

Recommended mattress size:  
600mm wide x 1200mm long x 100mm thick

To prevent falls, the maximum mattress thickness should not exceed 100mm

To prevent falls, the mattress base of this cot should be adjusted to the lowest position before the child can sit up



## Recommended mattress size.

This cot has been manufactured for specific use with a mattress which measures 600mm wide by 1200mm long and 100mm thickness. The width and length are specified because it is important that the gaps between the mattress and the sides and ends of the cot will not exceed 40mm when the mattress is pushed to one side or end. This is to minimize the risk of a child's limb becoming caught in the gap. We recommend using a babyhood mattress for a perfect fit.

The thickness of the mattress has been specified to ensure that the depth of the cot is greater than 500mm with the mattress base in the lower position to minimize the risk of a child climbing or falling out of the cot.

Product may vary slightly for pictures and drawings



!  Adult required for assembly.

! Follow instructions to ensure safety is not compromised.  
Keep for future reference.

## SAFETY INFORMATION - Please Read Before Use

Before use, remove and dispose of all plastic bags and packing materials and keep them out of reach of children.

. To ensure the safety of your cot is not compromised, assemble your cot to the manufacture's instruction.

. **WARNING : TO PREVENT FALLS, THE MATTRESS BASE OF THIS COT SHOULD BE ADJUSTED TO THE LOWEST POSITION BEFORE THE CHILD CAN SIT UP.**

. Child's safety relies on ADULT SUPERVISION. Remember your child's safety is your responsibility.

. This cot is designed for children of a maximum mass of 18kg and is NOT designed to withstand the weight of an adult climbing on it or in it.

. Toys and bedding that are capable of being used as climbing devices should NOT be left on or in the cot while the child is unattended.

. Keep this product away from fire, direct heat sources, curtains, blinds or power points.

. Strings and elastics can cause strangulation, do not tie or suspend toys or playthings over the cot.

. Always ensure items such as medication, small toys or any small items such as money are out of your child's reach while in the cot.

. If your cot should become damaged, do not use it and contact your store of purchase immediately.

. Always ensure that the correct size of mattress is used as specified by the manufacturer's instructions.

. Do not place toys in your cot which may injure your child in a fall.

. Regularly inspect the cot to ensure that all joints, fasteners and catches are undamaged and are in full working order.

. Do not allow children to stand on the railings on the outside of the cot as this will damage your cot.

**babyhood**<sup>®</sup>  
AUSTRALIA

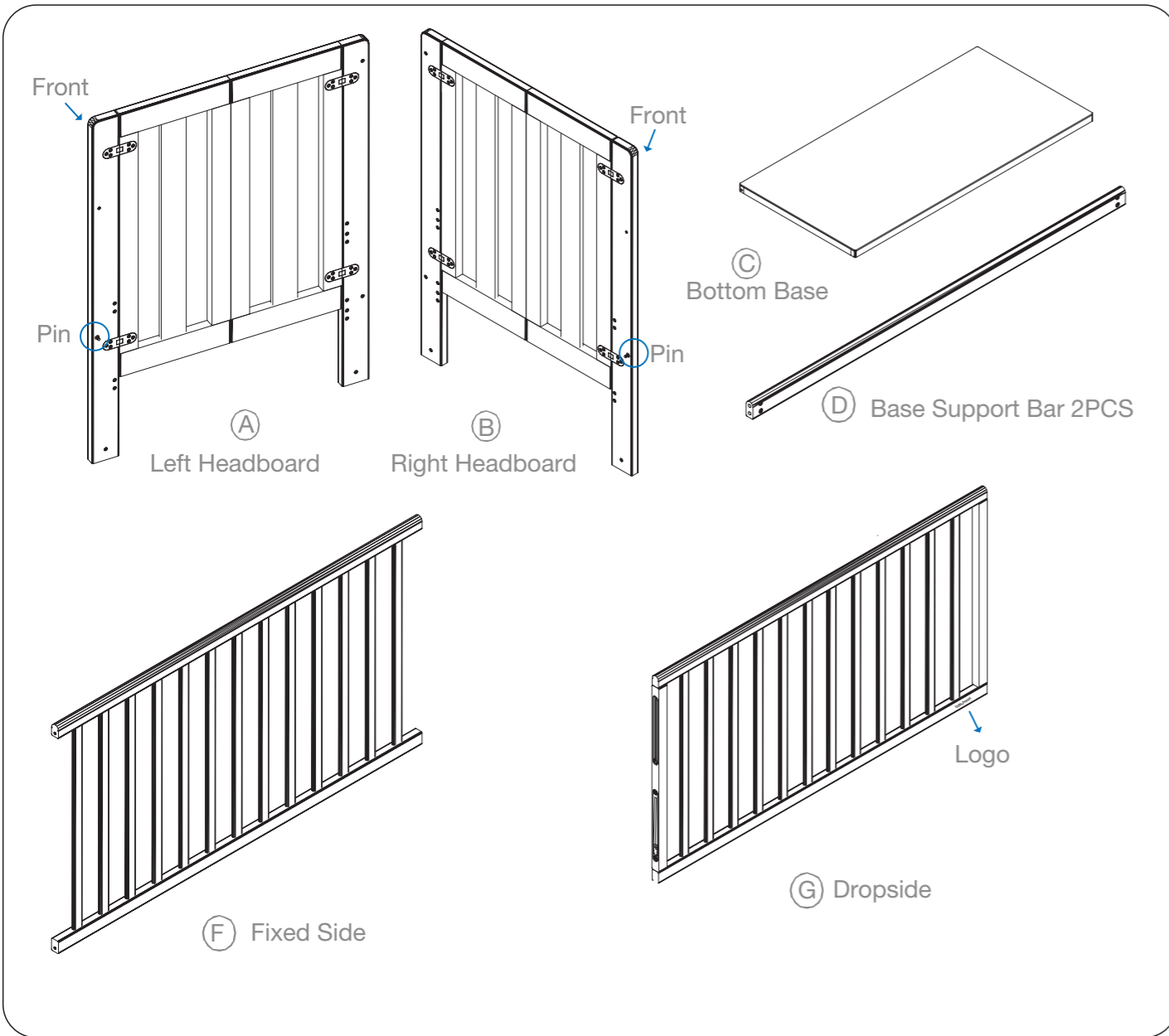
132 Compton Road Woodridge QLD Australia - 4114  
sales@babyhood.com.au | www.babyhood.com.au

M0819-04-CM

www.babyhood.com.au

© Copyright Bobby Bebe Pty Ltd. All rights reserved 2019

**babyhood**<sup>®</sup>  
AUSTRALIA



Hardware List in Hardware Package

- (H) + (I) 12PCS  
M6x60 12PCS
- (J) 2PCS  
M6x40 2PCS
- (K) + (L) 4PCS  
M6x30 4PCS
- (N) + (O) 8PCS  
M6x15 10PCS

- (M) 4 Castors With Brake
- (P) 2PCS  
Dropside Top Bolts 2PCS  
Inner flang
- (Q) 2PCS  
Allen Key 2PCS

babyhood nursery products carry a 1 year from date of purchase manufacturer's fault warranty.

**This warranty excludes:**

- General wear and tear.
- Damage caused, by the product not being used in accordance with its instructions or the care instructions.
- Damage caused by misuse or negligence.
- Damage caused by improper transporting and handling including the packaging being opened incorrectly.
- Any product that may have been altered in design or colour.
- Any product that is not used for its intended purpose.

All warranty claims must be lodged directly with the store of purchase. An original and valid tax invoice must be provided to the store of purchase to lodge a warranty claim.

This warranty is a back to base warranty. The cost of freight to and from the store of purchase or the manufacturer is the responsibility of purchaser of the product.

If the product is under warranty, babyhood will replace or repair any defective part (at its complete discretion).

In the event of a product being replaced, as a whole unit or part thereof during the warranty period, the warranty on the replacement will expire 1 year from the original purchase date.

All warranty claims must be lodged at the place of original purchase together with proof of purchase (which must be provided in order to lodge a warranty claim) and the actual part in question. Your babyhood stockists will be able to lodge your claim in writing through our babyhood customer service department.

Our goods come with guarantees that cannot be excluded under the Australian Consumer Law. You are entitled to a replacement or refund for a major failure and for compensation for any other reasonably foreseeable loss or damage. You are also entitled to have the goods repaired or replaced if the goods fail to be of acceptable quality and the failure does not amount to a major failure.

MADE IN CHINA

**Thank you for purchasing a quality babyhood product**

We have compiled some tips on how you can enjoy your babyhood product for longer:

**Room Climate Control**

Wood, when first cut contains more than 50 percent water. When it is prepared for furniture construction it is placed in a kiln and the moisture content is brought down to 8 to 10 percent. Wood is porous and responds to its environment. If the room has high humidity it will absorb it and expand and if the humidity is low it will lose moisture and shrink.

It is important that the humidity levels in the room be controlled from extremes of too much humidity or too little. Furniture should not be placed close to air-conditioning outlets, fire places, radiators, space heaters, humidifiers or dehumidifiers. Exposure to extreme variations of temperature and humidity can damage any fine wood product.

**The Ideal Environment for Fine Furniture**

Fine wood furniture will have fewer problems when its environment is controlled at a temperature between 18 and 24 degrees celsius and a relative humidity between 35 and 40 percent. Wood placed in an environment outside of those limits can and will shrink or expand and may develop some small cracks which are not material or structural defects.

We do not recommend using synthetic fabric under accessories or lamps as this may impact on the colour of the timber. Oils from potpourri and other scented items can also damage the furniture finish. It is advised that you do not drag items across the surface of the furniture and allow the surface to breath by rotating your accessories and lamps.

Do not over polish the furniture, do it only two or three times a year. Over polishing can distort the natural finish of the product. In addition, you should not wax the furniture as wax build up can destroy the natural finish of the product.

When moving furniture always lift the unit, do not push or drag it to avoid damage to legs. Keep the furniture level so doors and drawers open and close freely.

Clean any spills immediately with a soft, clean and damp, not wet cloth and do not use abrasive cleaners.

**Sticking Doors and Drawers**

With the minor changes in temperature and humidity doors and drawers may swell and be difficult to open or close. Tolerances have been built into the units but extreme conditions may still cause sticking. This will adjust back to normal over time but until it does consider using a dehumidifier or rub candle wax or paraffin on the sides that stick.

**Avoid Direct Sunlight**

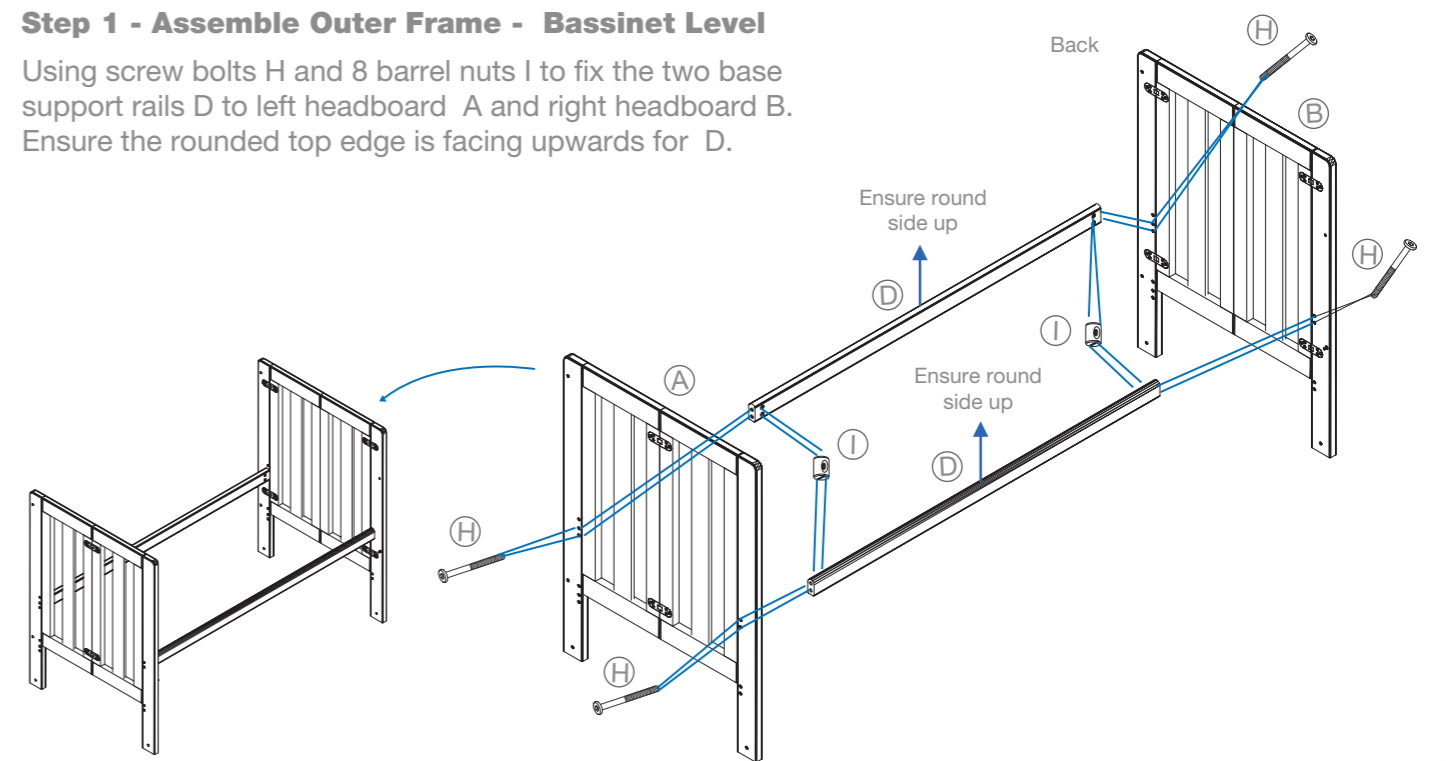
Keep the furniture out of direct sunlight. Ultraviolet rays will fade colours and in some cases darken them. It can also cause crazing or hair line cracks in the finish. White finishes will yellow naturally over time and exposure to direct sunlight will hasten this natural process along with some woods darkening naturally over time; this is not considered to be a quality defect.

**Proper Storage**

If you need to put your furniture in storage for any period of time do not store them in a damp basement or hot dry attic. Allow air movement around the furniture and do not stack anything on it.

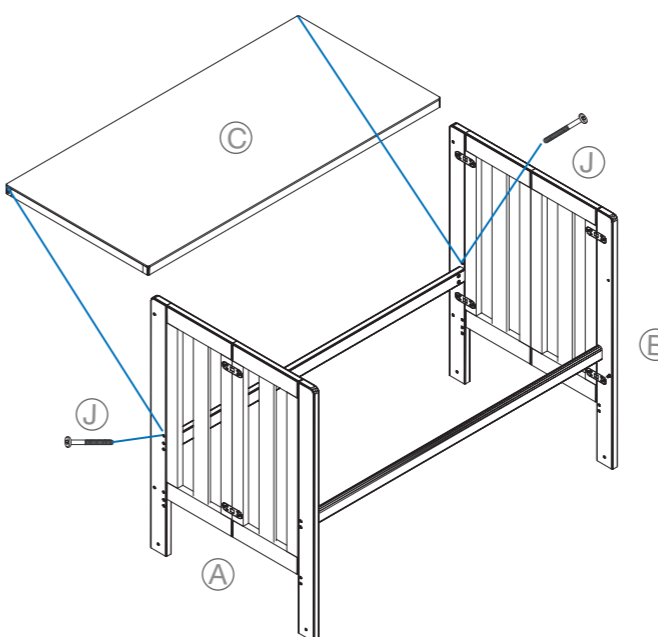
**Step 1 - Assemble Outer Frame - Bassinet Level**

Using screw bolts H and 8 barrel nuts I to fix the two base support rails D to left headboard A and right headboard B. Ensure the rounded top edge is facing upwards for D.



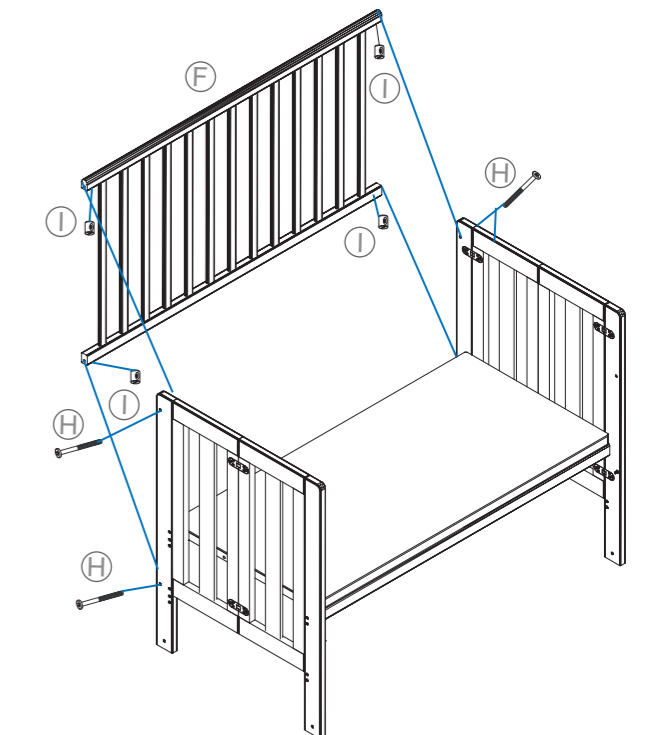
**Step 2 - Assemble Base at Bassinet Level (Upper Level)**

Using screw bolts J to fix base C to headboards A & B. Ensure the bolt J is full tightened on both sides.



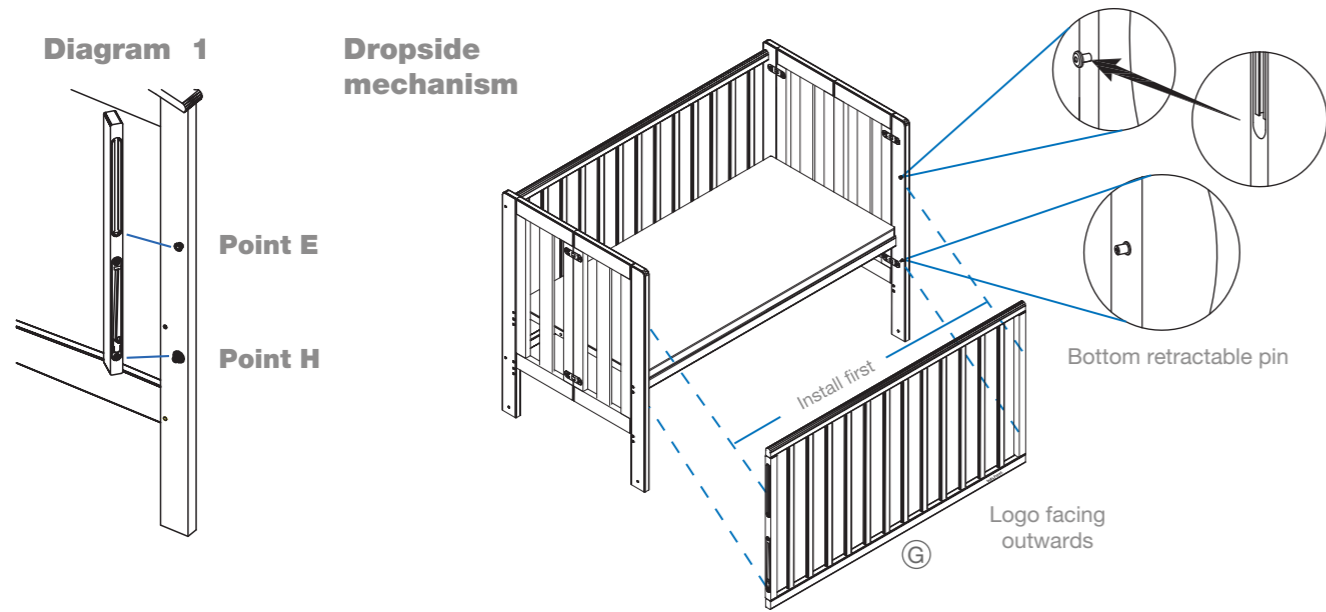
**Step 3 - Attach the Fixed Side**

Using 4x screw bolts H and barrel nut I, fix the fixed side F to the headboards A & B. Please do not tighten screws too much until the cot is assembled completely.



**Diagram 1**

**Dropside mechanism**

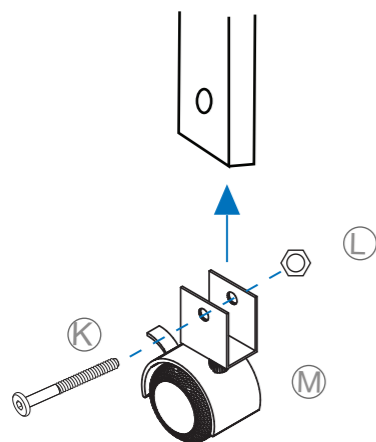


**Step 4 - Attaching the Dropside**

- A** Screw in dropside head bolt P to front corner part as indicated. Do this on both sides.
- B** Put a small amount of lubrication on top bolt P and bottom pins. (We recommend you use vaseline or petroleum jelly)
- C** Hold dropside parallel to the ground.
- D** Orientate dropside with the logo facing outwards.
- E** Insert dropside head bolt P into the top runners on both sides.
- F** Move dropside slowly back and forward to make sure it is freely moving.
- G** Slowly lower dropside into an upright position.
- H** Push lower pins into the grooves along the bottom of the dropside on both sides.
- I** Tighten all bolts around the cot, once completed.

**Step 5 - Assembling castors**

This cot comes with a set of 4 castors M. Use 4x bolts K and nuts L to assemble wheels to the legs.



**Step 6 - Covering holes**

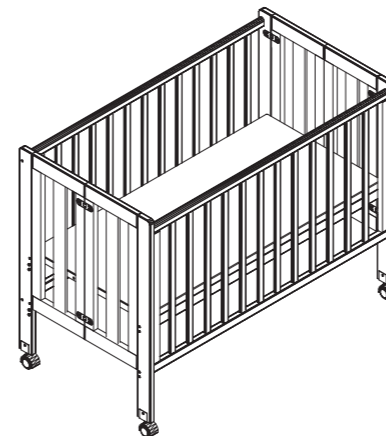
Ensure all open holes are securely closed with the screw and cap N & O.



**Your cot is ready to use**

**Converting Your Cot**

**Folding Your Cot**

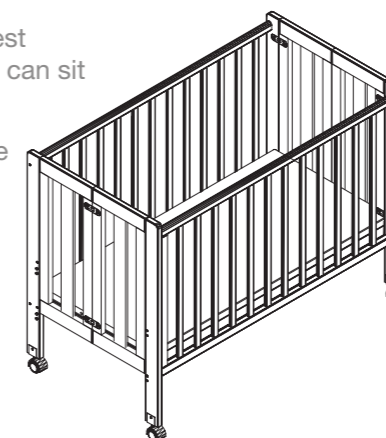


**Bassinet Level**  
Your Cot should be used for a newborn at the bassinet or upper level as per step 2.

**Lower Base Level**  
Put the base to the lowest position once your child can sit up unassisted.

Please unscrew the base C and front cross bars D, then screw them onto the lower position.

As indicated below, please make sure all bolts are firmly tightened.



- A** Raising the dropside – using one hand hold the top rail and raise the dropside to lock into place.
- B** Lowering the dropside – using one hand hold the top rail and raise the dropside. While holding this position push using the side of your leg against the lower bar of the dropside. This push action will unlock the dropside. Once unlocked lower the dropside to its lower resting position.
- C** Always operate our dropside from the center of the cot. Do not push your dropside without lifting first, as you will break your dropside.
- D** **WARNING:** Do not force your dropside. If it is not moving then follow the instructions and reassemble. If you force it, the ends will scratch, which will not be covered under warranty.

Rotate the base up, push the left headboard and right headboard inwards to fold.

