

# Co Sleeper Cradle Instruction Manual


## WARNING

Recommended mattress size:  
49cm wide x 88cm long x 5cm thick.

To prevent falls, the maximum mattress thickness should not exceed 5cm.

To prevent falls, once your baby is able to sit up unaided, please refrain from using this cradle.

## SAFETY INFORMATION - Please Read Before Use

- !  Two adults required for assembly.
- ! Follow instructions to ensure safety is not compromised. Keep for future reference.



Product may vary slightly from pictures and drawings

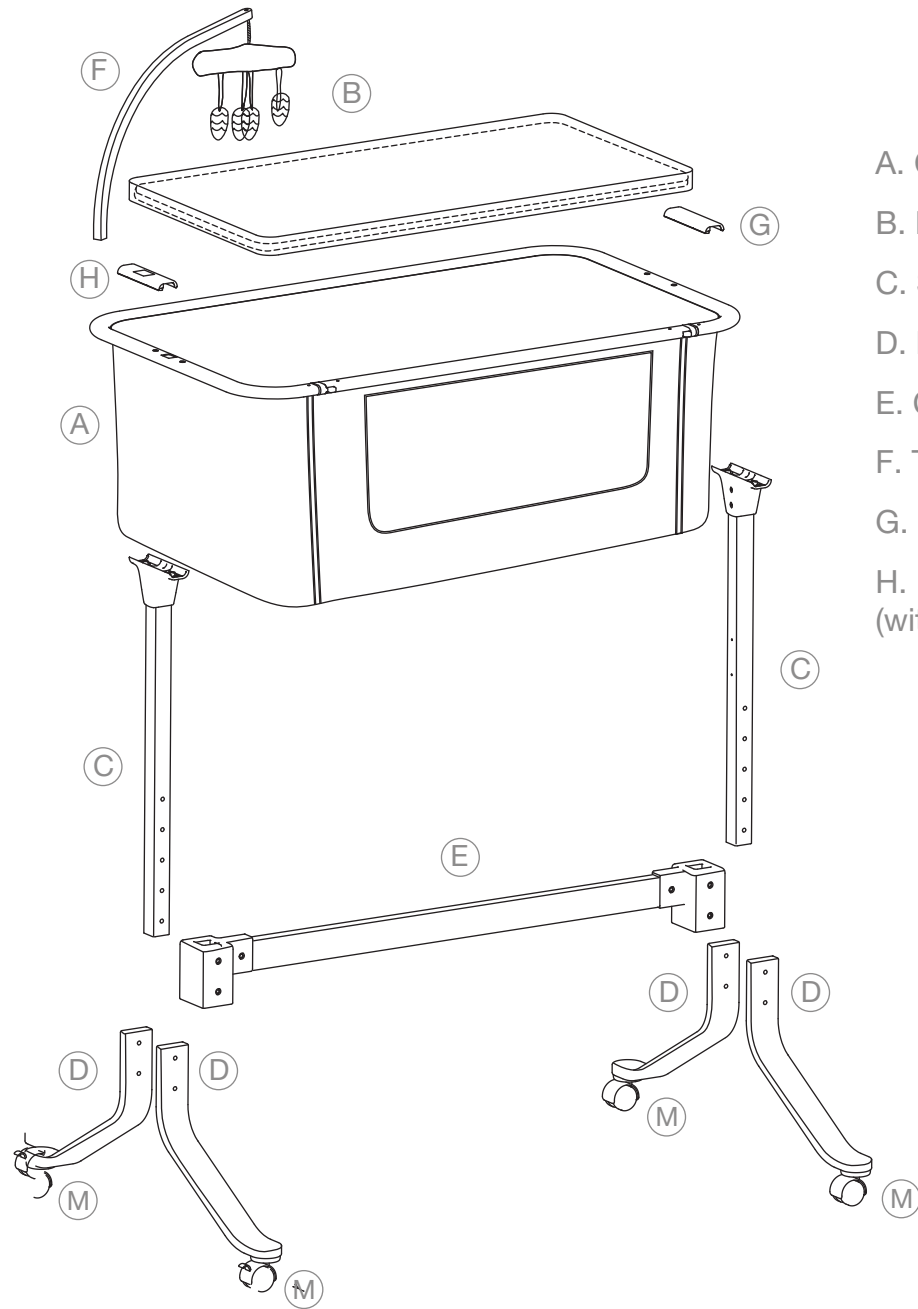
**babyhood**<sup>®</sup>  
AUSTRALIA

132 Compton Road Woodridge QLD Australia - 4114  
sales@babyhood.com.au | www.babyhood.com.au

[www.babyhood.com.au](http://www.babyhood.com.au)

© Copyright Bobby Bebe Pty Ltd. All rights reserved 2019


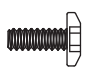

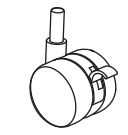


**babyhood**<sup>®</sup>  
AUSTRALIA



- A. Cradle Fabric x1
- B. Breathe Eze Mattress x1
- C. Side supports x2
- D. Foot supports x4
- E. Crossbar x1
- F. Toy Bar\* x1
- G. Fixing cover x1
- H. Bar fixing cover x1 (with hole insert for toy bar)

\*toys may vary from image.

Hardware List in Hardware Package

- |  |   |  |
|--|---|--|
| <p>(I)  Fixing belts x2PCS</p> <p>(J)  Bolts x4PCS</p> | <p>(K)  Base bolts x4PCS</p> | <p>(M)  Wheels with brake x4PCS</p> <p>(N)  Cover screw x4PCS<br/>For installing H &amp; G</p> <p>(O)  Allen Key x2PCS</p> |
|--|---|--|

babyhood nursery products carry a 1 year from date of purchase manufacturer's fault warranty.

**This warranty excludes:**

- General wear and tear.
- Damage caused, by the product not being used in accordance with its instructions or the care instructions.
- Damage caused by misuse or negligence.
- Damage caused by improper transporting and handling including the packaging being opened incorrectly.
- Any product that may have been altered in design or colour.
- Any product that is not used for its intended purpose.
- Wear and tear includes (but is not limited to) wear and tear on the wheels, toys, zips, studs, textile covers and mesh netting.

All warranty claims must be lodged directly with the store of purchase. An original and valid tax invoice must be provided to the store of purchase to lodge a warranty claim.

This warranty is a back to base warranty. The cost of freight to and from the store of purchase or the manufacturer is the responsibility of purchaser of the product.

If the product is under warranty, babyhood will replace or repair any defective part (at its complete discretion).

In the event of a product being replaced, as a whole unit or part thereof during the warranty period, the warranty on the replacement will expire 1 year from the original purchase date.

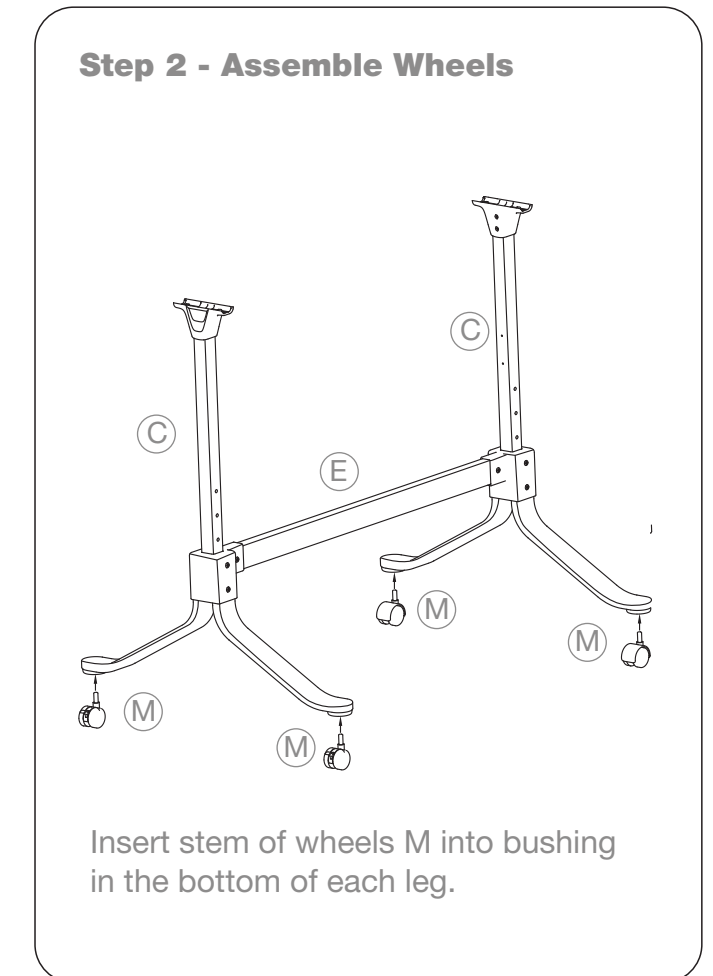
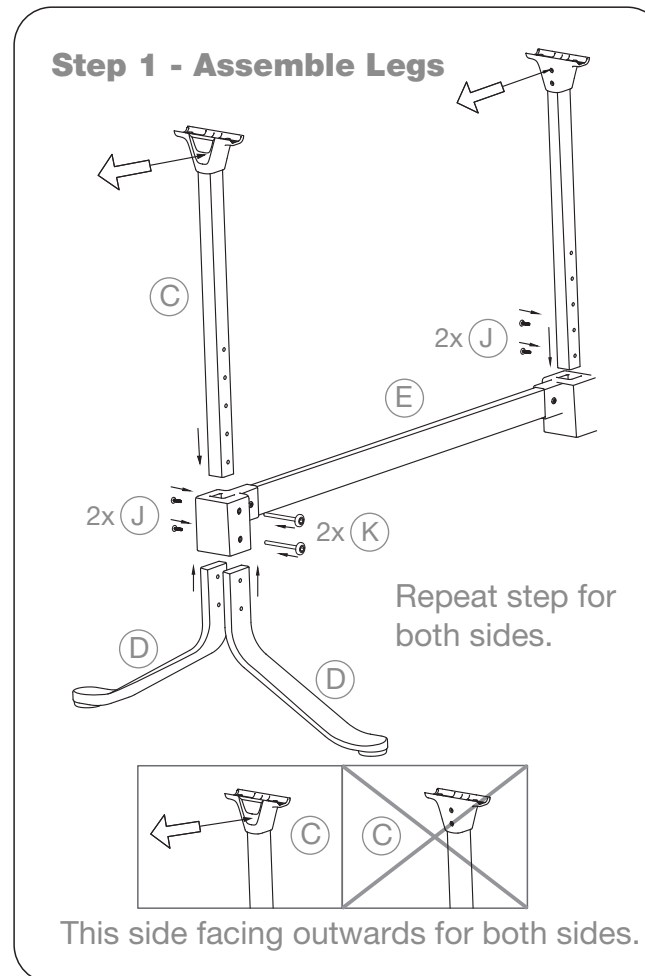
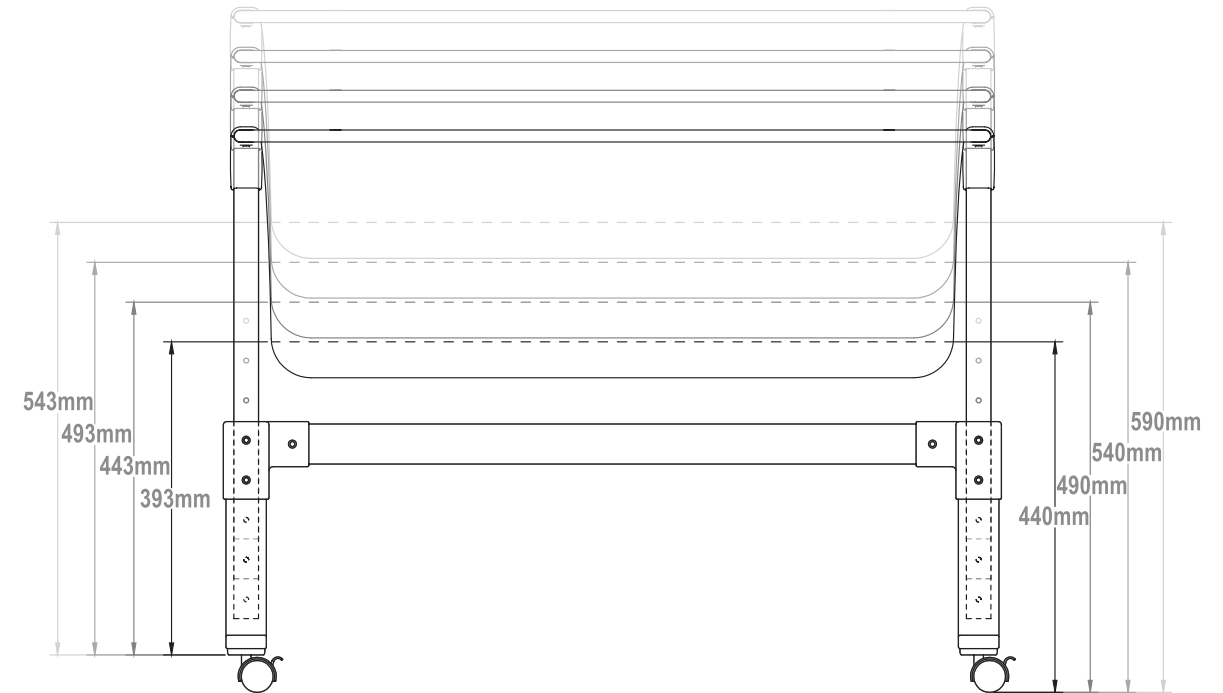
All warranty claims must be lodged at the place of original purchase together with proof of purchase (which must be provided in order to lodge a warranty claim) and the actual part in question. Your babyhood stockists will be able to lodge your claim in writing through our babyhood customer service department.

Our goods come with guarantees that cannot be excluded under the Australian Consumer Law. You are entitled to a replacement or refund for a major failure and for compensation for any other reasonably foreseeable loss or damage. You are also entitled to have the goods repaired or replaced if the goods fail to be of acceptable quality and the failure does not amount to a major failure.

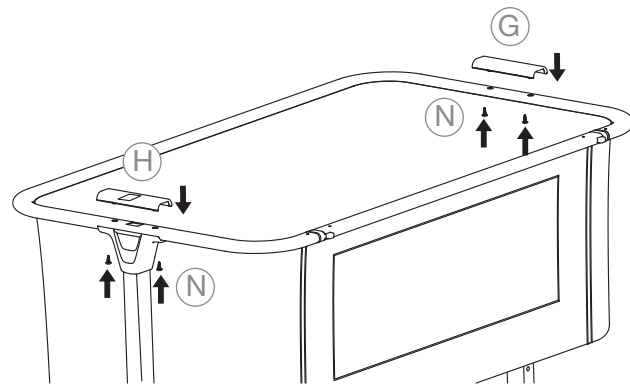
MADE IN CHINA


**Warning**

Before assembly: Please confirm the height of your mattress and select the appropriate installation height. The height of your mattress should always be more than the side support for containment of the cradle.

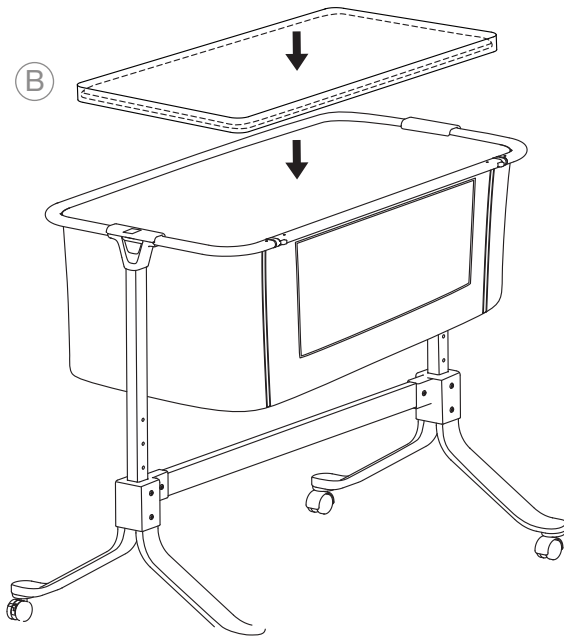


**Step 3 - Attach the Fabric Frame**



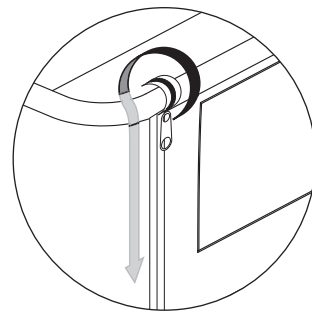
 During the installation of the Fabric Cover, handle the fabric carefully in order to avoid accidental damage or tears.

**Step 4 - Insert the Mattress**

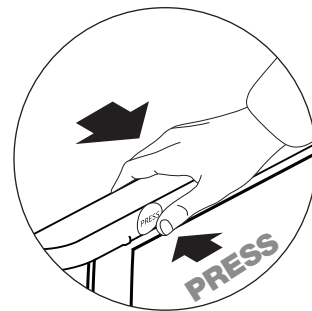


**Step 5 - Opening and Closing the Side**

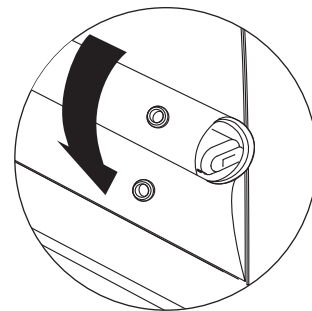
**5A- To Open**



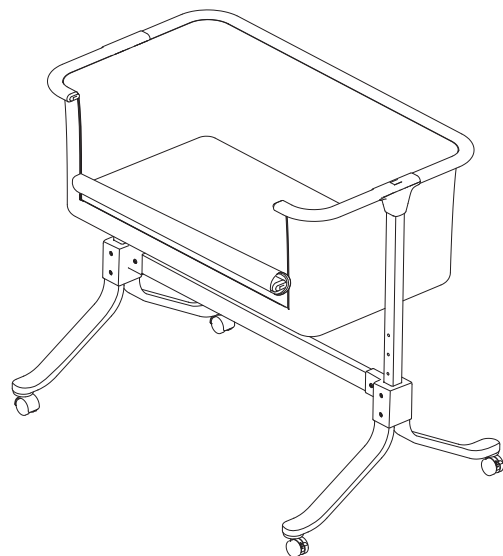
Unzip both sides



Press release bottom both sides

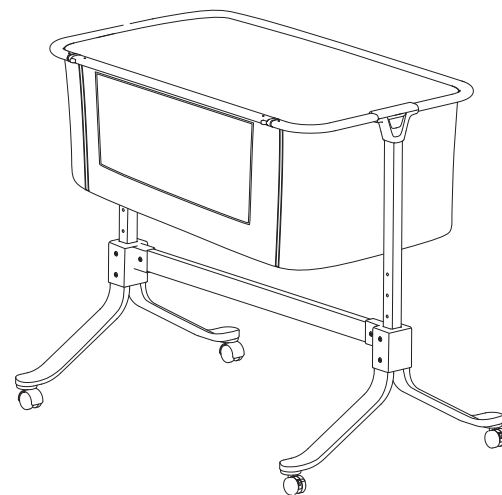


Roll and lock press studs



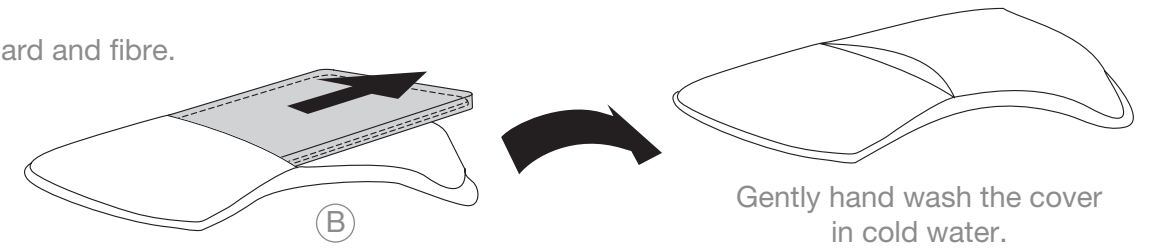
**5B- To Close**

Do reverse of 5A



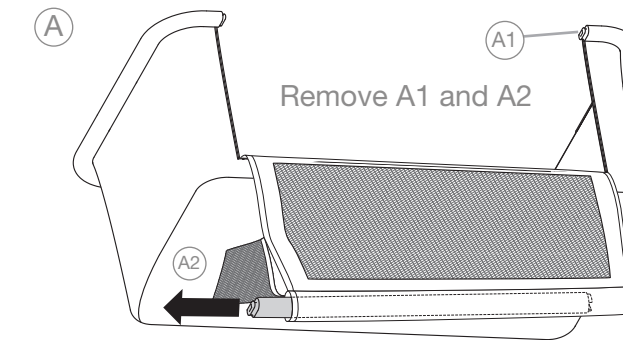
**Washing the Mattress**

Remove the board and fibre.



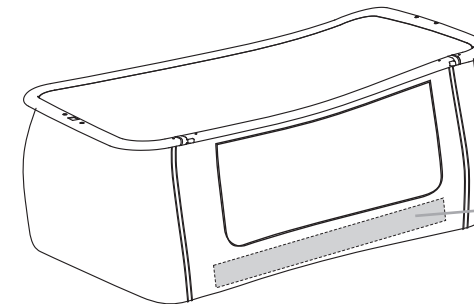
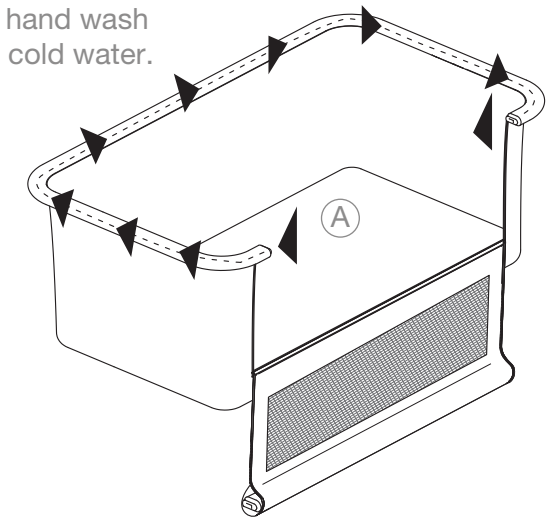
Gently hand wash the cover in cold water.

**Washing the Fabric Insert**



Remove A1 and A2

Gentle hand wash only in cold water.



 **REINFORCING BAR INSIDE: DO NOT BEND!**

**Maintenance**

Regularly inspect all tubes and fixings. Ensure that all are secure before each use of the product. Do not use the cradle if any components are broken or missing. Regularly inspect fabric and stitching and check that it is undamaged. Do not use accessories or replacement parts other than those approved by the manufacturer.

**Avoid Direct Sunlight**

Keep the furniture out of direct sunlight. Ultraviolet rays will fade colours and in some cases darken them. It can also cause crazing or hair line cracks in the finish. White finishes will yellow naturally over time and exposure to direct sunlight will hasten this natural process along with some woods darkening naturally over time; this is not considered to be a quality defect.

**Proper Storage**

If you need to put your furniture in storage for any period of time do not store them in a damp or hot dry environment. Allow air movement around the furniture and do not stack anything on top of it.

**Failure to do this may invalidate your warranty**



Thank you for purchasing a quality babyhood product

We have compiled some tips on how you can enjoy your babyhood product for longer:

**Room Climate Control**

Wood, when first cut contains more than 50 percent water. When it is prepared for furniture construction it is placed in a kiln and the moisture content is brought down to 8 to 10 percent. Wood is porous and responds to its environment. If the room has high humidity it will absorb it and expand and if the humidity is low it will lose moisture and shrink.

It is important that the humidity levels in the room be controlled from extremes of too much humidity or too little. Furniture should not be placed close to air-conditioning outlets, fire places, radiators, space heaters, humidifiers or dehumidifiers. Exposure to extreme variations of temperature and humidity can damage any fine wood product.

**The Ideal Environment for Fine Furniture**

Fine wood furniture will have fewer problems when its environment is controlled at a temperature between 18 and 24 degrees celsius and a relative humidity between 35 and 40 percent. Wood placed in an environment outside of those limits can and will shrink or expand and may develop some small cracks which are not material or structural defects.

A prolonged exposure to the sun may cause changes of tones to the product's colour. After a prolonged exposure of the product to high temperatures, wait a few minutes prior to placing your child in it.

We do not recommend using synthetic fabric under accessories or lamps as this may impact on the colour of the timber. Oils from potpourri and other scented items can also damage the furniture finish. It is advised that you do not drag items across the surface of the furniture and allow the surface to breath by rotating your accessories and lamps.

Do not over polish the furniture, do it only two or three times a year. Over polishing can distort the natural finish of the product. In addition, you should not wax the furniture as wax build up can destroy the natural finish of the product.

Clean any spills immediately with a soft, clean and damp, not wet cloth and do not use abrasive cleaners.

**Cleaning**

The cover may be gently spot cleaned.

For heavy soiling the cover may be removed and hand washed in cold water using a very mild detergent solution.

Lie cover flat and dry in a well ventilated area out of direct sun light.

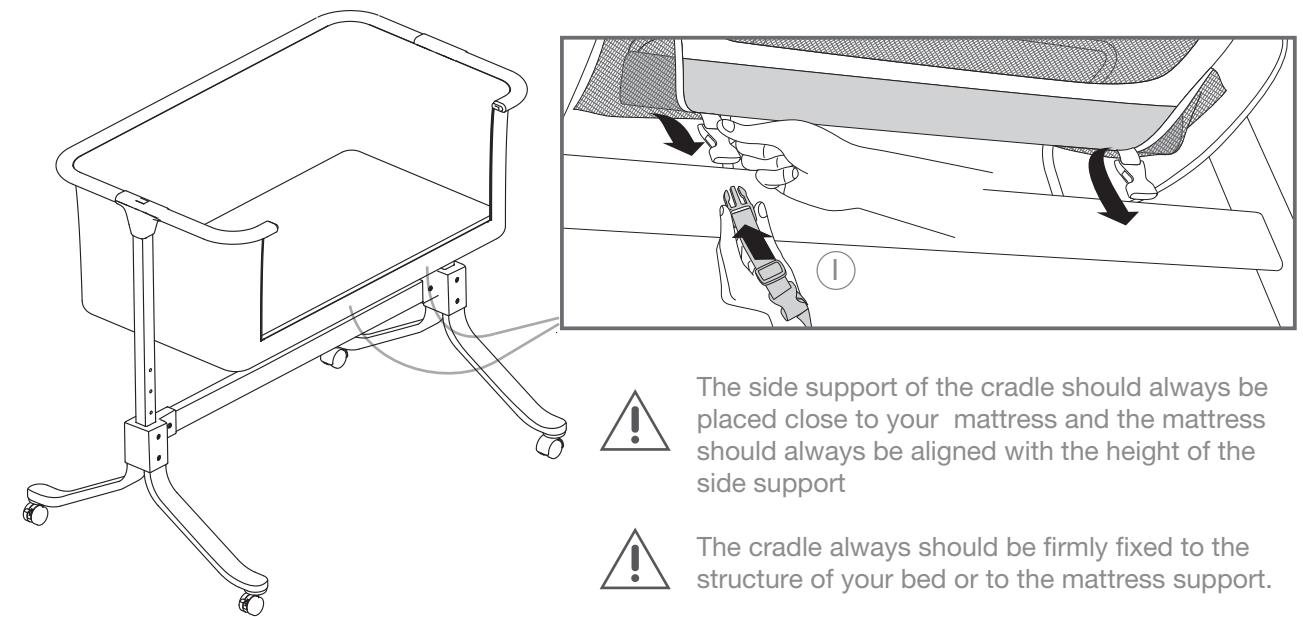
Do not use bleach, ammonia based or abrasive cleaning chemicals.



Do not dry clean.

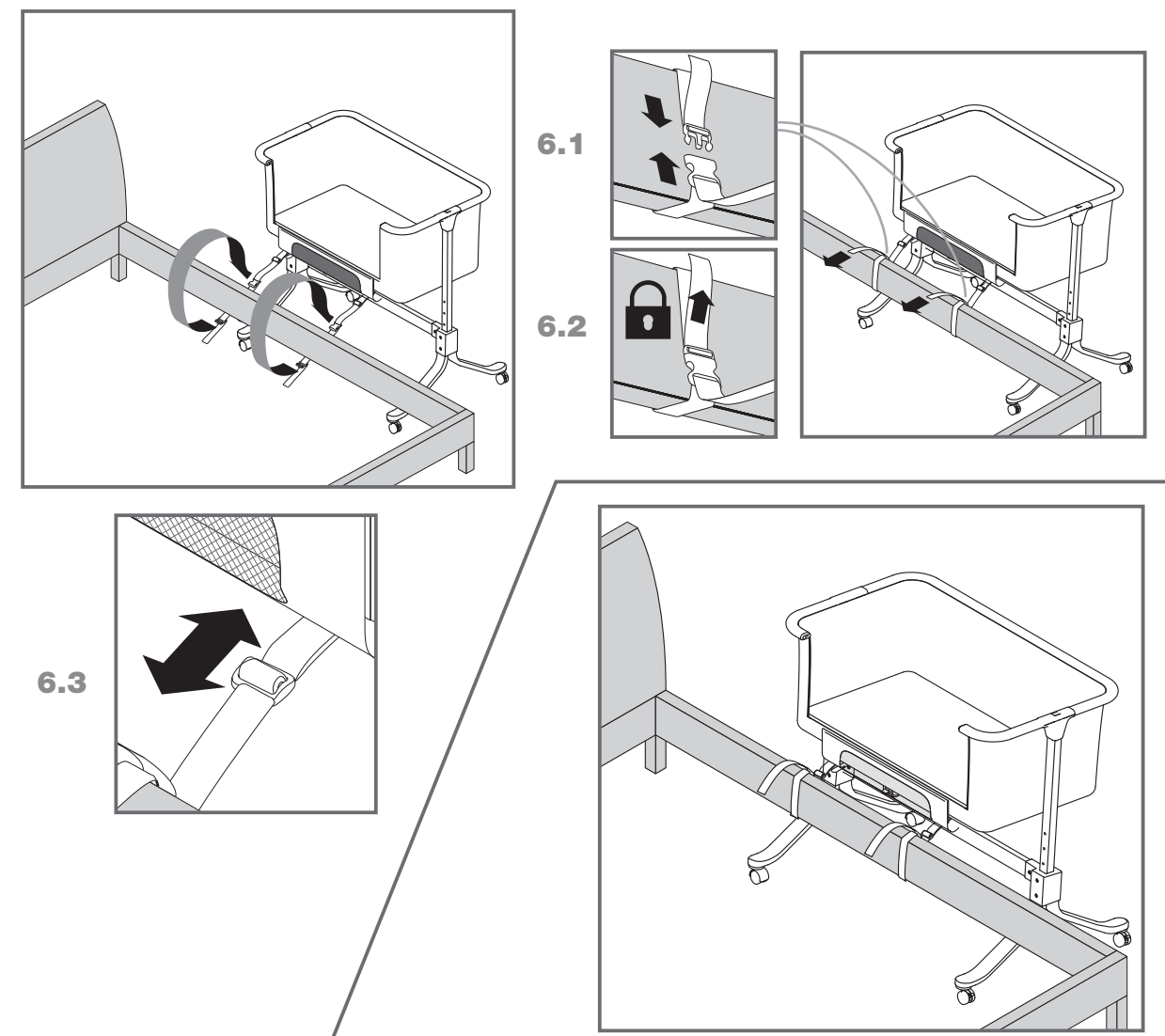
The frame and plastics may be cleaned with a damp cloth and a mild detergent solution and dried with a soft cloth.

Clean any spills immediately with a soft, clean and damp, not wet cloth and do not use abrasive cleaners.

**Step 6 - Fixing to the Bed "Co Sleeping"**



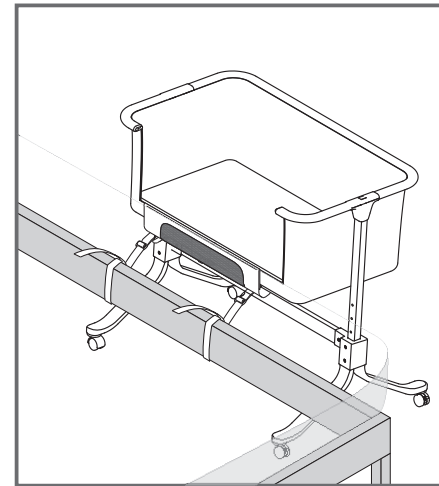
-  The side support of the cradle should always be placed close to your mattress and the mattress should always be aligned with the height of the side support
-  The cradle always should be firmly fixed to the structure of your bed or to the mattress support.



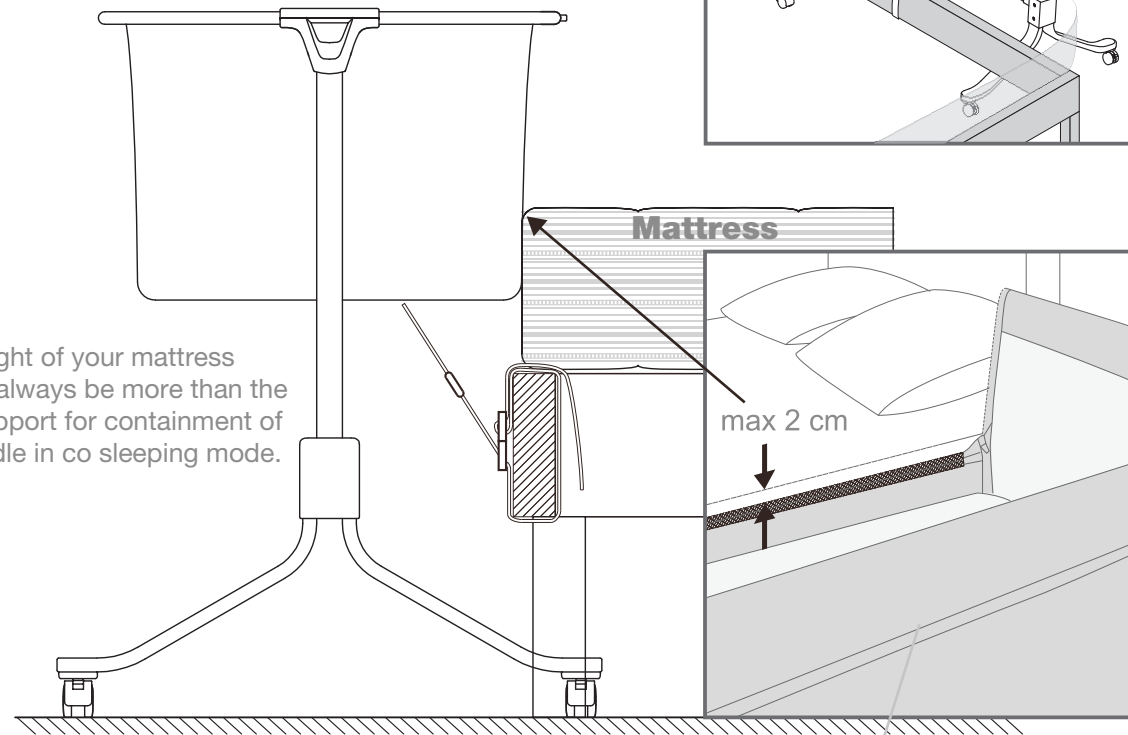
**Step 7 - Checking Steps**

⚠ Check to make sure that when the cradle is in the co sleeping mode it does not interfere with your bed.

⚠ Use the cradle with the side lowered (co sleeping mode), only when you are awake and supervising your baby. Keep side up whenever you or your baby are asleep.

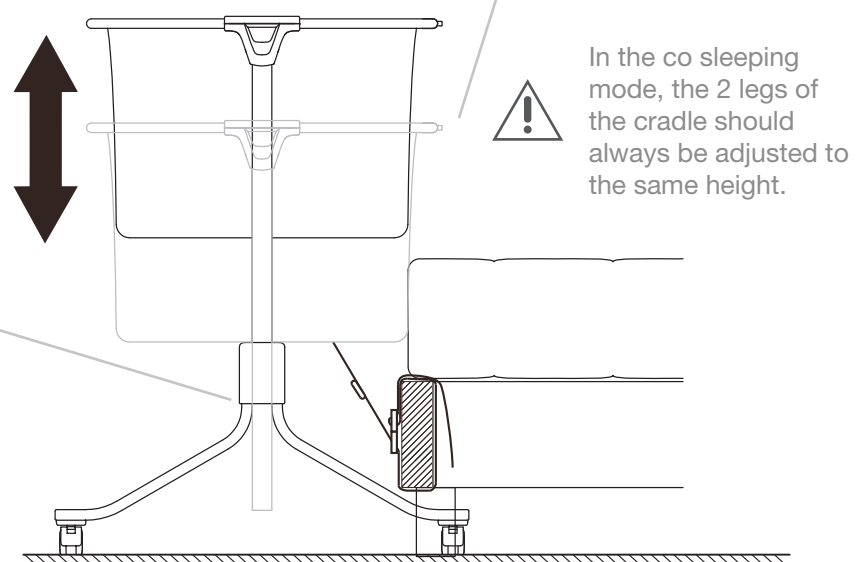
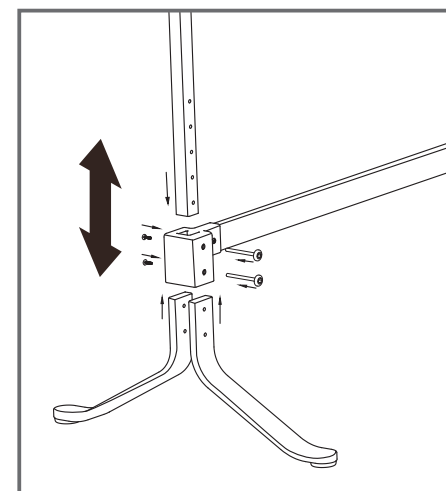


⚠ The height of your mattress should always be more than the side support for containment of the cradle in co sleeping mode.



⚠ Before every use always check to make sure that there is no space between your mattress and the side of the cradle.

⚠ On a regular basis check the condition of the product and the presence of any possible damage.

**IMPORTANT – RETAIN FOR FUTURE REFERENCE – READ CAREFULLY**

**BEFORE USE, REMOVE AND DISPOSE OF ALL PLASTIC BAGS AND PACKING MATERIALS AND KEEP THEM OUT OF REACH OF CHILDREN**

This product is intended for use for babies aged between 0 and 8 months, weighing up to a maximum of 9 kg. When a child is able to sit, kneel or to pull themselves up, the cradle should not be used anymore for this child.

Be aware of the risk of open fires and other sources of strong heat, such as electric bar fires, gas fires, etc. The product must be kept away from electric cables and cords. Do not place the product near windows where cords, curtains or similar objects could pose choking or strangling hazards for the child. To avoid strangling hazards, do not leave your child or place near them, objects equipped with cords.

Before assembly, check that the product and all of its components have not been damaged during transportation. Do not use this product if any part is broken, torn or missing and keep out of reach of children.

Make sure the users of this product are knowledgeable on its operation.

**Safety is paramount**

Whilst we have designed this cradle for you to easily settle baby and play with your child, when you are sleeping or your child is unsupervised **always** ensure the side is lifted, zipped and locked in place. This is for the safety of your baby.

The product must always be placed on a horizontal surface. Never leave the product on an inclined surface with the child inside it.

Children must not be permitted to play without supervision near the product.

Do not use the product without the frame.

Keep the fastening belts away from the reach of children.

Only use the mattress supplied with the product.

Do not leave any object inside the product that could reduce its depth.

Do not position the cradle near walls and obstacles to prevent trapping hazards or suffocation.

Do not leave small objects or pillows or excessive bedding inside the product to prevent choking hazards.

Use only spare parts approved by the manufacturer. Do not apply accessories to the product, which are not supplied by the manufacturer.

Do not adjust the product with the child inside.

Do not move the product with the child inside.

Do not use the product with more than one child at a time.

When not in use, keep the product away from the reach of children.