

Ava Forever High Chair Instruction Manual

WARNING

Not recommended for children who can not sit up by themselves (3 months approximately, until 45kg).

Tested to: EN 14988

Product may vary slightly from pictures and drawings

SAFETY INFORMATION - Read these instructions carefully



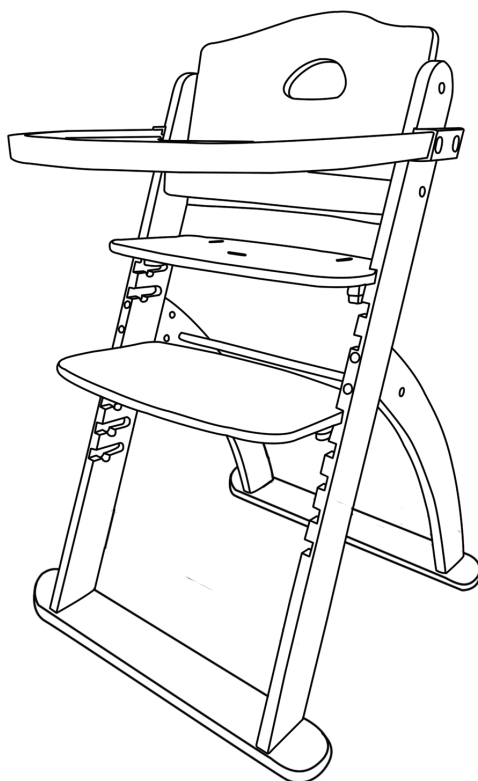
One adult required for assembly.



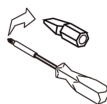
Follow instructions to ensure safety is not compromised. Keep for future reference.








Your child may be hurt if you do not follow the instructions.









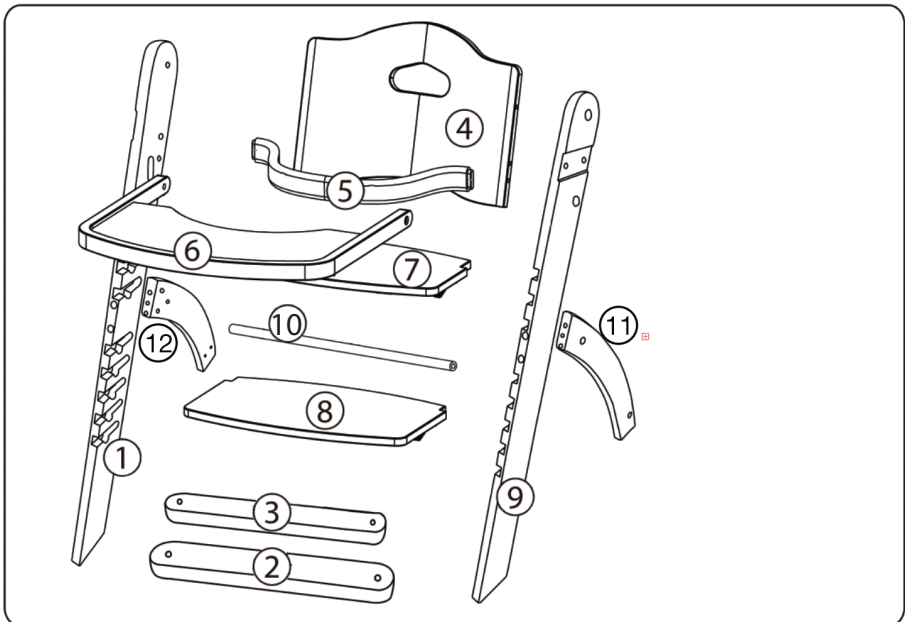
+/- 10 min.

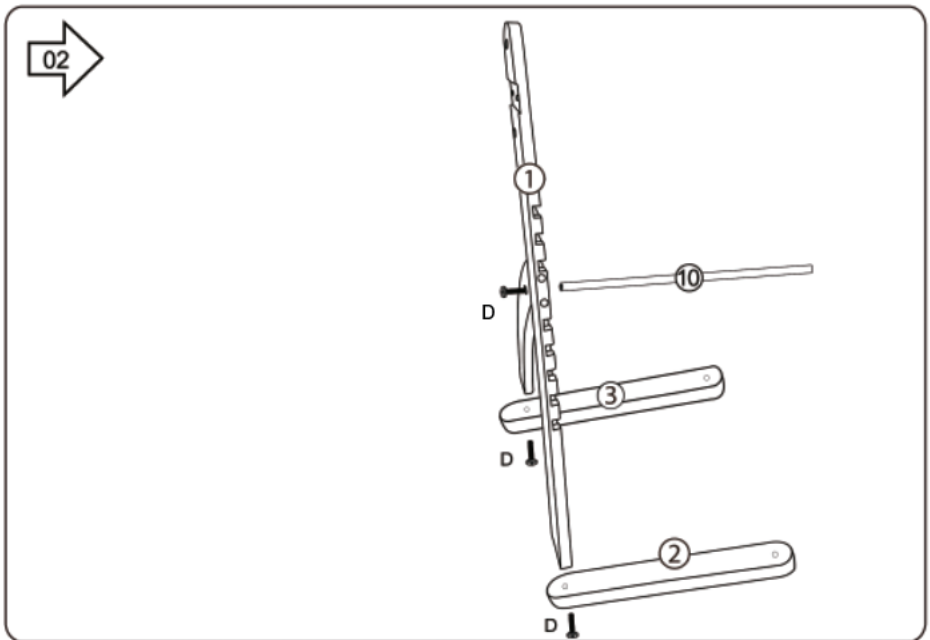
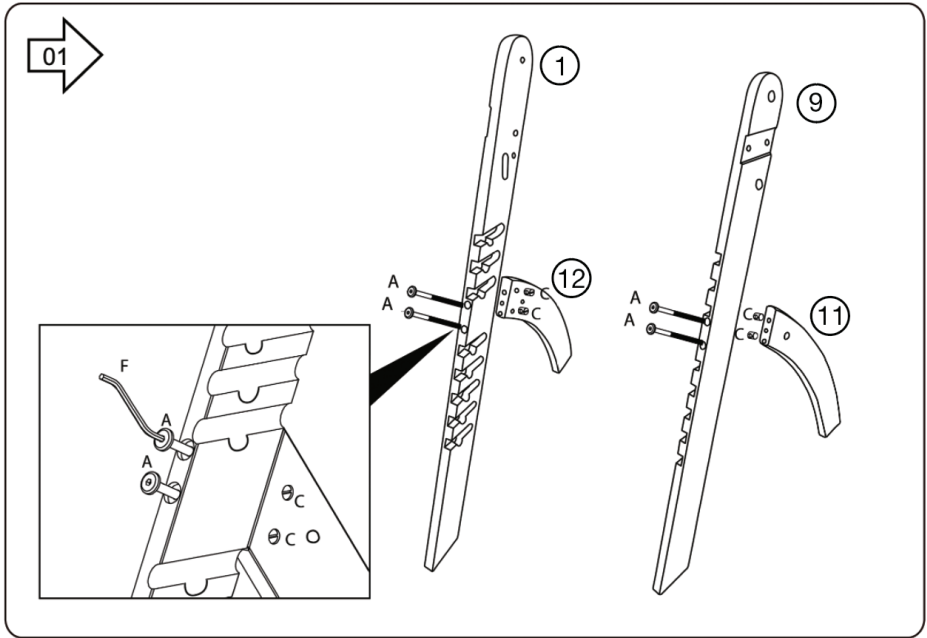


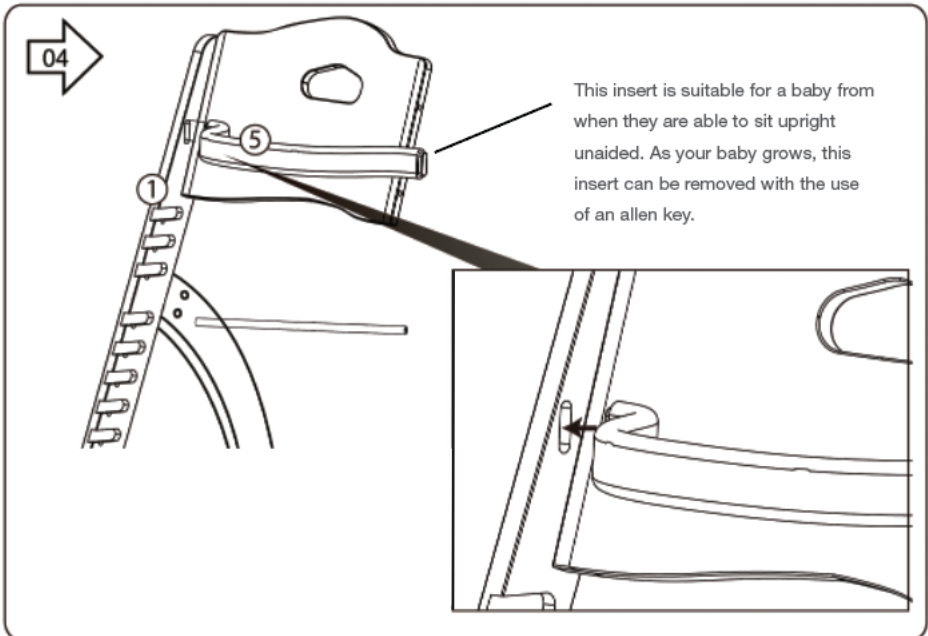
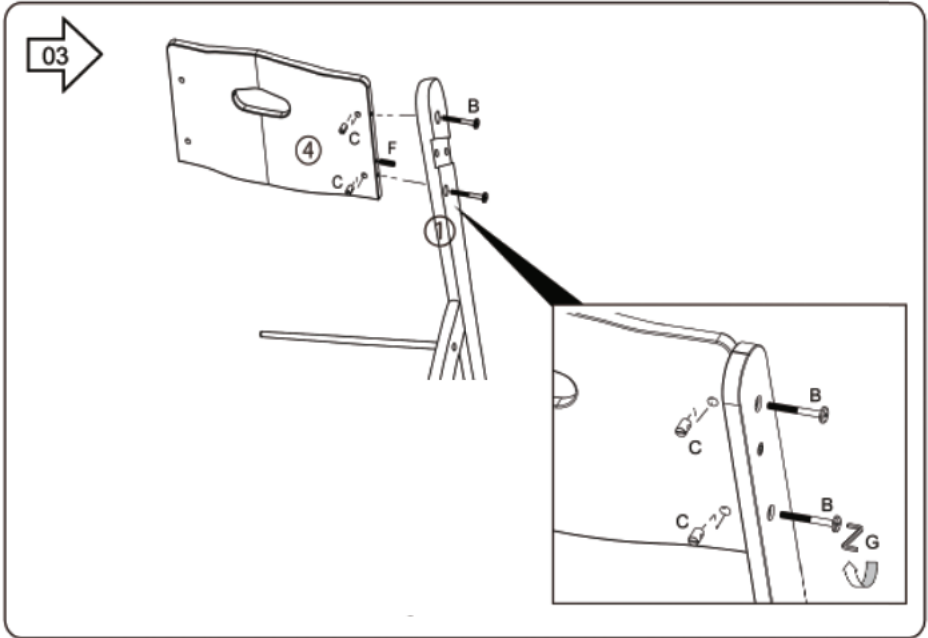
Mounted Hardware

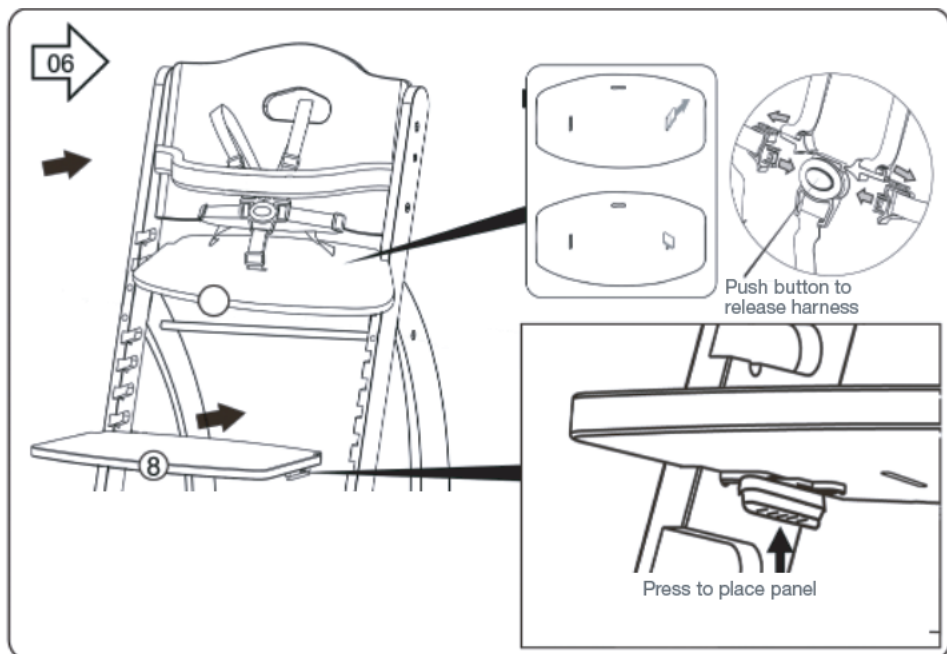
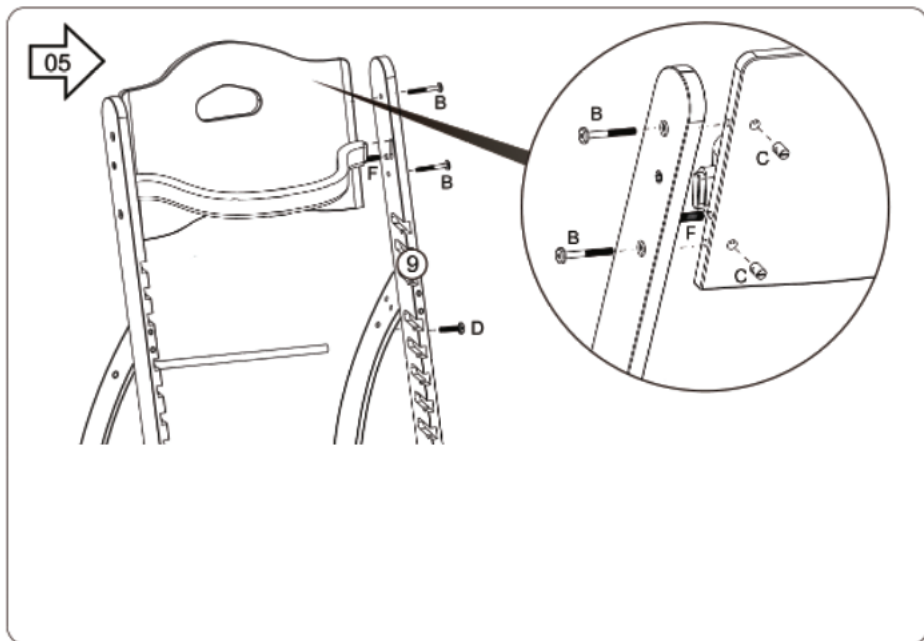
N°	items	pcs
A	 Bolt 6 x 95mm	4x
B	 Bolt 6 x 55mm	4x
C	 Barrel Nut M6	8x
D	 Bolt 6 x 30mm	6x
E	 Bolt 6 x 12mm	4x

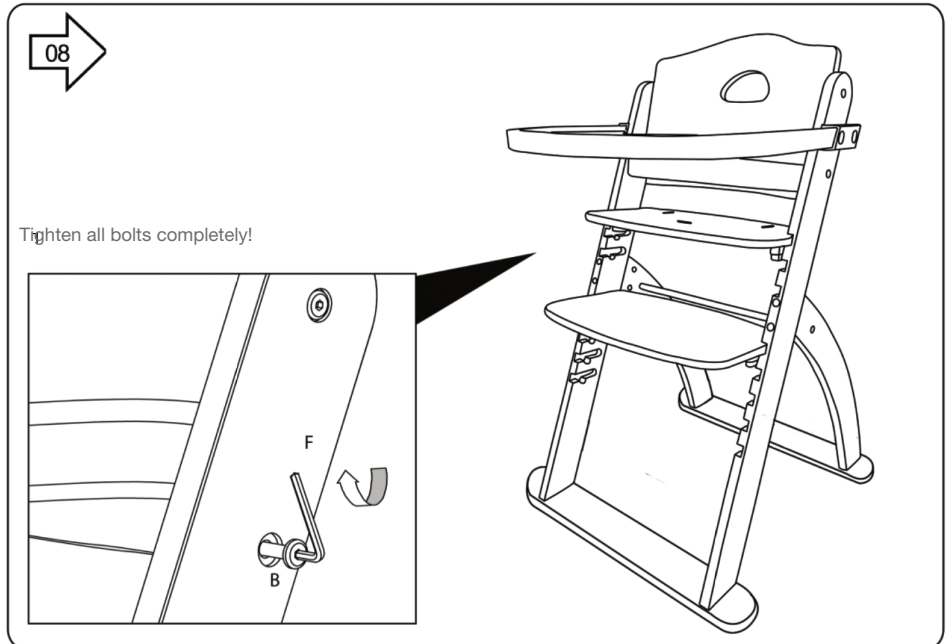
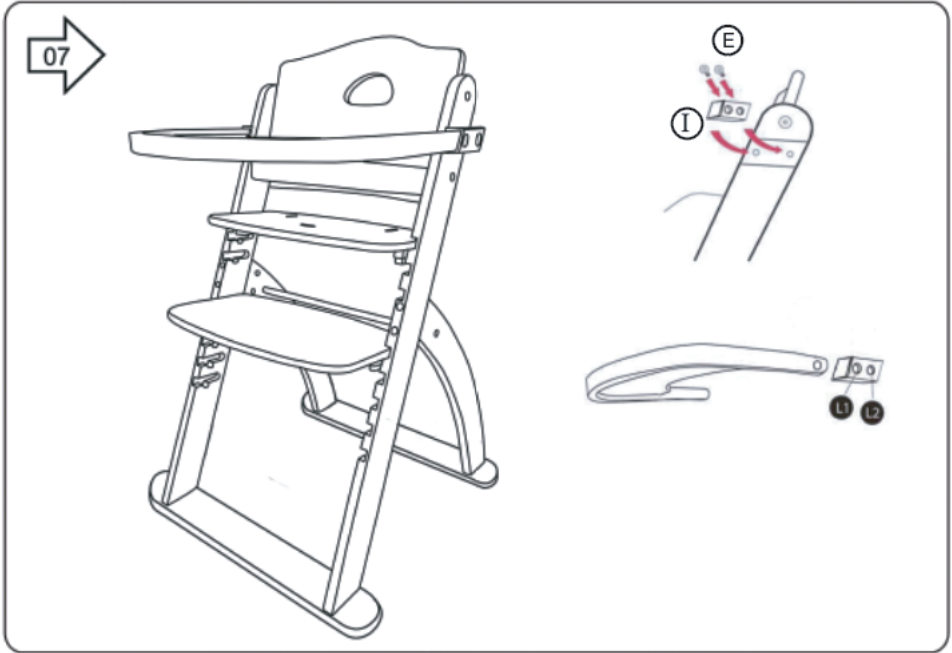
N°	Items	pcs
F	 dowel 8 x 30mm	2x
G	 allen key	1x
H	 5-point harness + D-rings	1x
I	 Clear plastic tray sleeve	1x R.H.S 1x L.H.S
J	 Backrest and cushion	1x
K	 Plastic Tray	1x

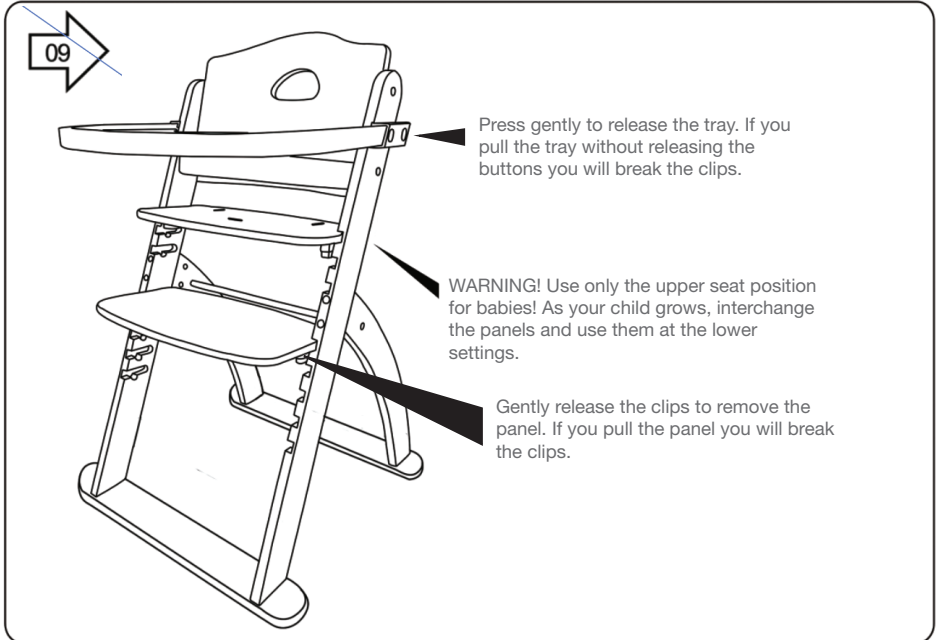












**IMPORTANT REFERENCE – READ CAREFULLY
BEFORE USE, REMOVE AND DISPOSE OF ALL PLASTIC BAGS AND PACKING
MATERIALS AND KEEP THEM OUT OF REACH OF CHILDREN**

Your child's safety is your responsibility.

This product is intended for use for babies when they can safely sit up (approximately from 3 to six months), weighing up to a maximum of 45 kg.

- Do not use this product if any part is broken, torn or missing.
- Never leave the child unattended.
- Always use the harness system. Always ensure that the harness is fastened and adjusted at all times.
- Never use the tray to carry the product.
- Only use on a flat, level floor surface.
- Do not use near stairs / steps.
- Do not position the product close to a source of heat e.g. household electric fires, etc.
- Do not adjust the product when the child is in it.
- Do not use the product with more than one child at a time.
- The product must be kept away from electric cables and cords: do not place the product near windows where cords, curtains or similar objects could pose choking or strangling hazards for the child. To avoid strangling hazards, do not leave your child or place near them, objects equipped with cords.
- A prolonged exposure to the sun may cause changes of tones to the product's colour. After a prolonged exposure of the product to high temperatures, wait a few minutes prior to placing your child in it.
- When not in use, keep the product away from the reach of children.
- Children will try to climb in and out of the product, so parental supervision at all times is essential and always use the 5 point harness restraint system.

Thank you for purchasing a quality babyhood product

We have compiled some tips on how you can enjoy your babyhood product for longer:

General Care

The correct use and maintenance of this product is essential. In some climates mould and mildew can affect the fabric on the product.

Always store the product in a dry place.

It is important that the humidity levels in the room be controlled from extremes of too much humidity or too little. Furniture should not be placed close to air-conditioning outlets, fire places, radiators, space heaters, humidifiers or dehumidifiers. Exposure to extreme variations of temperature and humidity can damage any fine wood product.

Cleaning

The seat insert may be gently spot cleaned.

For heavy soiling the seat insert may be removed and hand washed in cold water using a very mild detergent solution.

Lie cover flat and dry in a well ventilated area out of direct sun light.

Do not use bleach, ammonia based or abrasive cleaning chemicals.

Do not dry clean or place in a dryer. Heat will shrink the seat insert.

The frame may be cleaned with a damp cloth and a mild detergent solution (suitable for timber) and dried with a soft cloth.

Clean any spills immediately with a soft, clean and damp, not wet cloth and do not use abrasive cleaners.

Maintenance

Regularly inspect all fixtures. Ensure that all are secure before each use of the product.

Do not use the product if any components are broken or missing.

Regularly inspect fabric and stitching and check that it is undamaged.

Do not use accessories or replacement parts other than those approved by the manufacturer.

Avoid Direct Sunlight

Keep the furniture out of direct sunlight. Ultraviolet rays will fade colours and in some cases darken them. It can also cause crazing or hair line cracks in the finish. White finishes will yellow naturally over time and exposure to direct sunlight will hasten this natural process along with some woods darkening naturally over time; this is not considered to be a quality defect.

Proper Storage

If you need to put your furniture in storage for any period of time do not store them in a damp basement or hot dry attic. Allow air movement around the furniture and do not stack anything on it.

Failure to do this may invalidate your warranty.

babyhood products carry a 1 year from date of purchase manufacturer's fault warranty.

This warranty excludes:

- General wear and tear
- Damage caused by not using the product in accordance with the instructions provided
- Damage caused by misuse or negligence
- Damage caused by improper transportation and handling including the packaging being opened incorrectly
- Any product that may have been altered in design or colour
- Any product that is not used for its intended purpose.

All warranty claims must be lodged directly with the store of purchase. An original and valid tax invoice must be provided to the store of purchase to lodge a warranty claim.

This warranty is a back to base warranty. The cost of freight to and from the store of purchase or the manufacturer is the responsibility of purchaser of the product.

If the product is under warranty, babyhood will replace or repair any defective part (at its complete discretion).

In the event of a product being replaced, as a whole unit or part thereof during the warranty period, the warranty on the replacement will expire 1 year from the original purchase date.

All warranty claims must be lodged at the place of original purchase together with proof of purchase (which must be provided in order to lodge a warranty claim) and the actual part in question. Your babyhood stockists will be able to lodge your claim in writing through our babyhood customer service department.

Our goods come with guarantees that cannot be excluded under the Australian Consumer Law. You are entitled to a replacement or refund for a major failure and for compensation for any other reasonably foreseeable loss or damage. You are also entitled to have the goods repaired or replaced if the goods fail to be of acceptable quality and the failure does not amount to a major failure.

MADE IN CHINA

babyhood[®]
AUSTRALIA

132 Compton Road Woodridge QLD Australia - 4114
sales@babyhood.com.au | www.babyhood.com.au

