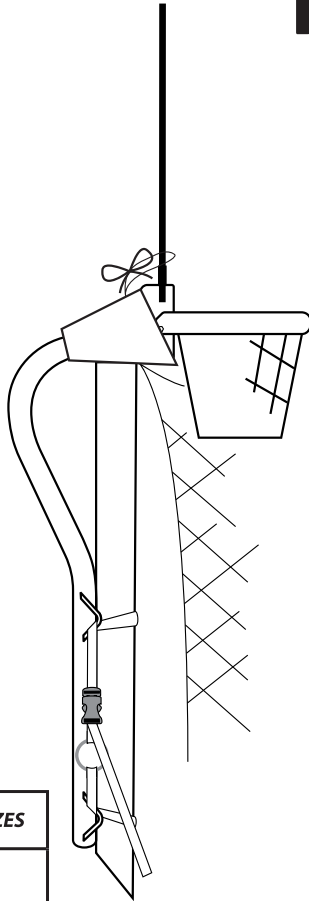


**WARNING** Read these materials prior to assembling and using this basketball hoop.

# UNIVERSAL NORTH™ BASKETBALL HOOP



**TRAMPOLINE & NET SIZES: ALL SIZES**

This assembly contains instructionsworks for all North Trampolines in all sizes.



**WARNING:**  
SMALL PARTS. CHOKING HAZARD. NOT FOR CHILDREN UNDER 6 YEARS.



USE WITH ADULT SUPERVISION ONLY.  
ADULT ASSEMBLY REQUIRED.

READ AND FOLLOW ALL WARNINGS AND INSTRUCTIONS.

## **Warnings and instructions !**

- Read all instructions before using the trampoline Universal basket ball hoop. Warnings and instructions for the care, maintenance, and use of this Universal basket ball hoop are included to promote safe, enjoyable use of this equipment.
- The Universal basket ball hoop is to be assembled in accordance with the instruction manual by an adult.
- Not recommended for children under 6 years of age.
- Only for domestic use
- Use the Universal basket ball hoop only with mature, knowledgeable supervision.
- Keep the Universal basket ball hoop tightly fastened to the trampoline in accordance with the assembly instructions. Users may become entangled in or strangled by loose cords in the fixing mechanism if not properly fitted.
- Do not hang from, kick, cut, or climb on the Universal basket ball hoop.
- Inspect the Universal basket ball hoop before each use and replace any worn, defective, or missing parts. Punctures, frays, tears, or holes worn in the protection sleeve or ring padding may be a risk for injury.
- Note that sunlight, rain, snow and extreme temperatures reduce the strength of these parts over time. Make sure to replace defective or missing parts.
- To order original North Trampoline spare parts, please contact your local dealer or [northtrampoline.com](http://northtrampoline.com).
- During winter season the Universal basket ball hoop should be kept in room temperature and away from moisture. To avoid mold make sure to dry the Universal basket ball hoop thoroughly before storage.
- The terms and conditions of North Trampoline’s general warranty can be accessed on [www.northtrampoline.com/warranties](http://www.northtrampoline.com/warranties) as well as on the individual retailer’s website.

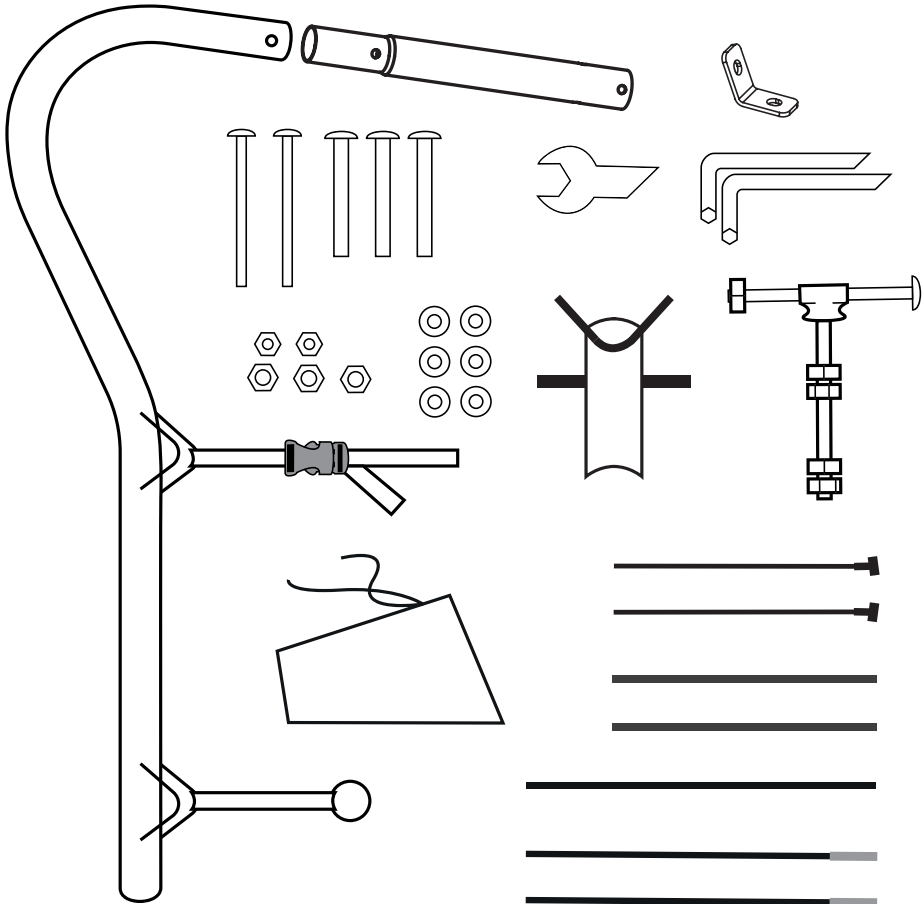
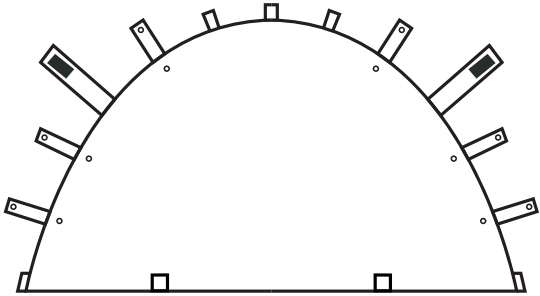
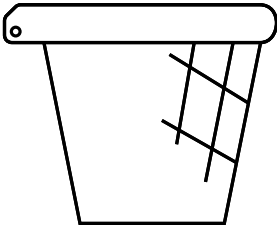
# UNIVERSAL NORTH™ **BASKETBALL** **HOOP**

## CONTENTS

WARNINGS AND INSTRUCTIONS.....	1
BOX CONTENT.....	2
ASSEMBLY INSTRUCTIONS.....	3

All rights reserved 2021. NORTH TRAMPOLINE INC ©  
All artwork and illustrations are owned by NORTH TRAMPOLINE INC, USA  
Copying or reusing them is prohibited by law.  
For more information, contact us at [info@northtrampoline.com](mailto:info@northtrampoline.com)

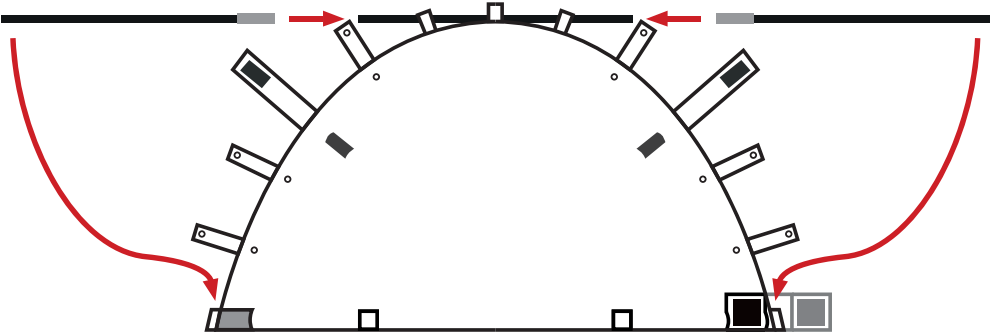
# BOX CONTENTS



# ASSEMBLY INSTRUCTION

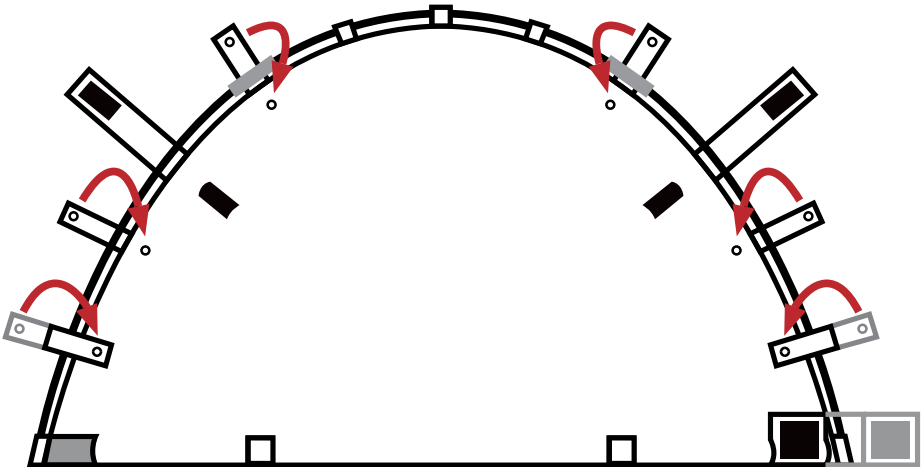
1

! Connect the rods and fit them through the 3 loops at the top of the board. Fit the ends of the rods into the holders in the corners.



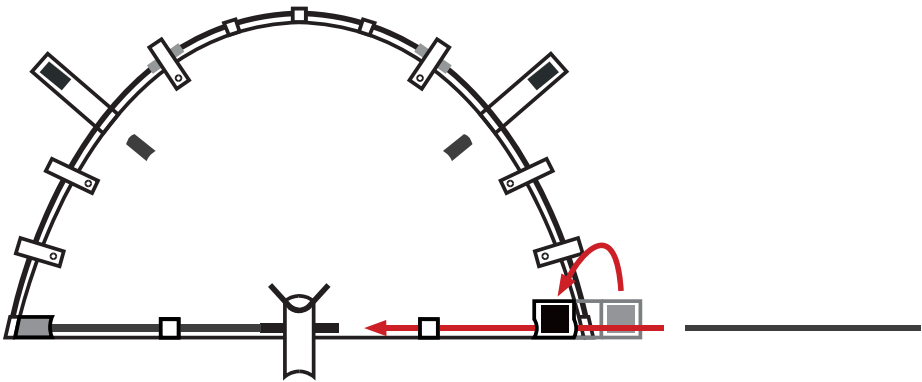
2

! Close the button tabs around the rods.



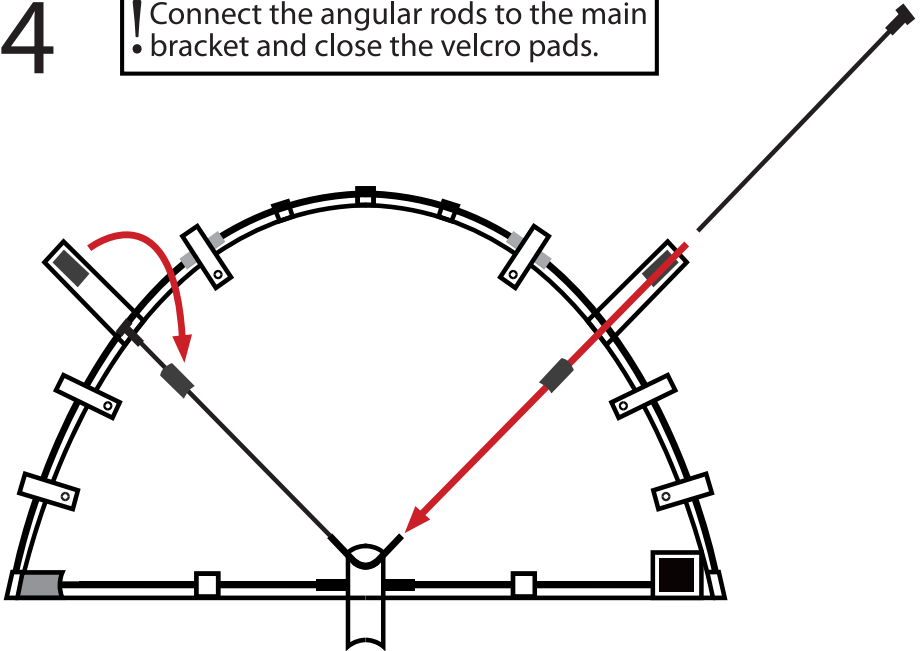
3

! Connect the two lower rods to the main bracket and close the velcro pad.



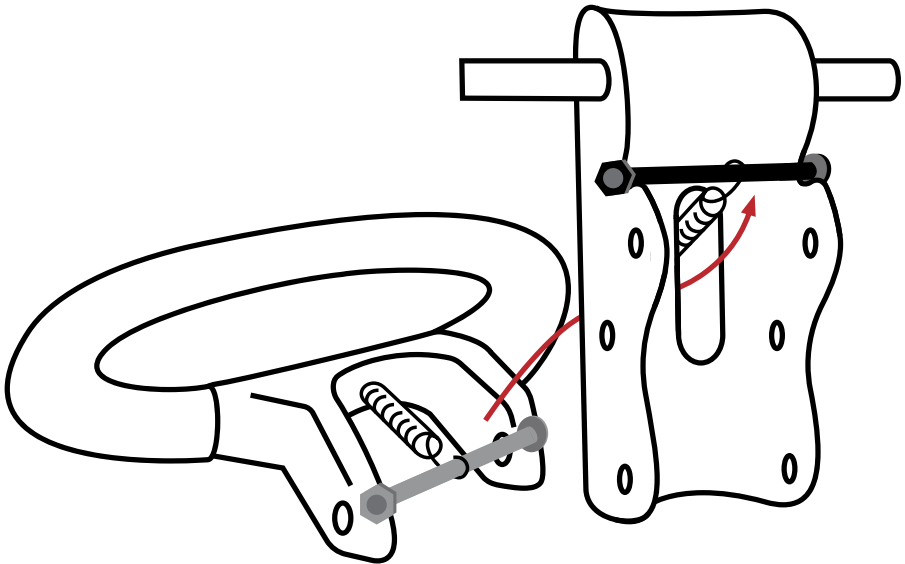
4

! Connect the angular rods to the main bracket and close the velcro pads.



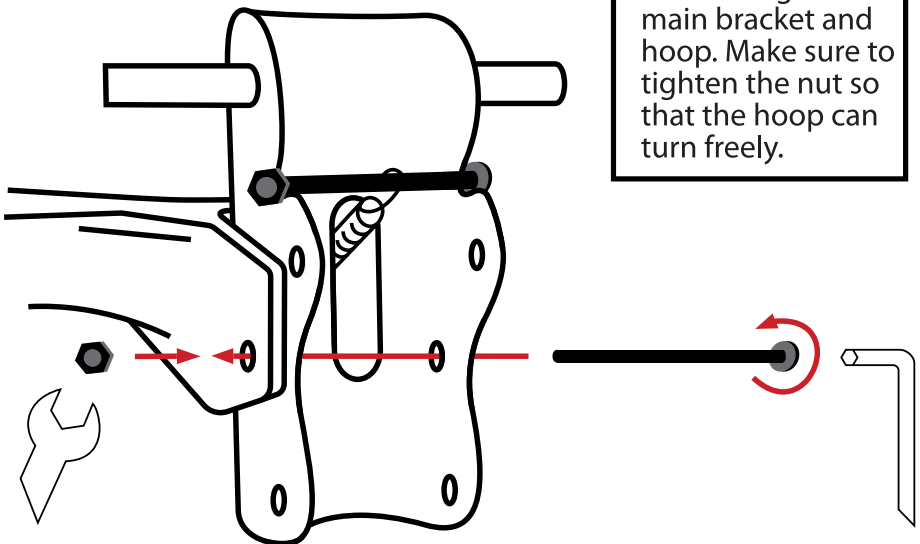
5

! Fit the spring bolt into position through the hole in the main bracket.



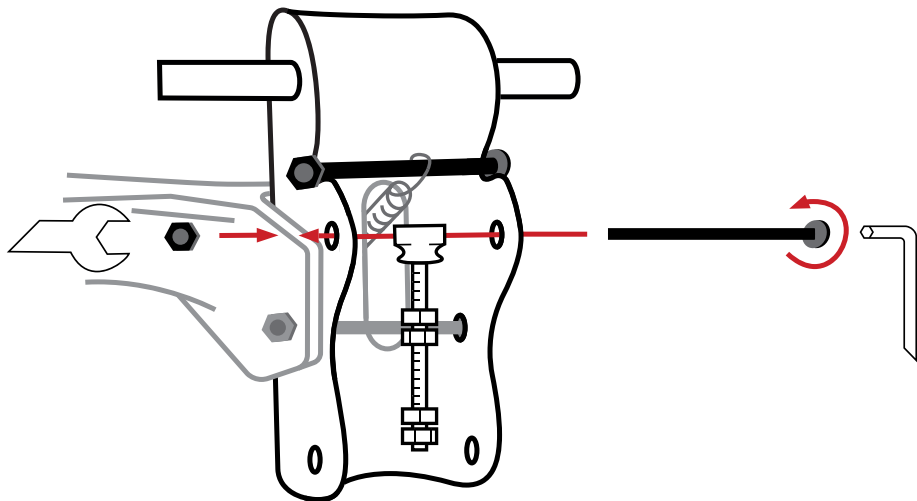
6

! Fit the hoop pivot bolt through the main bracket and hoop. Make sure to tighten the nut so that the hoop can turn freely.

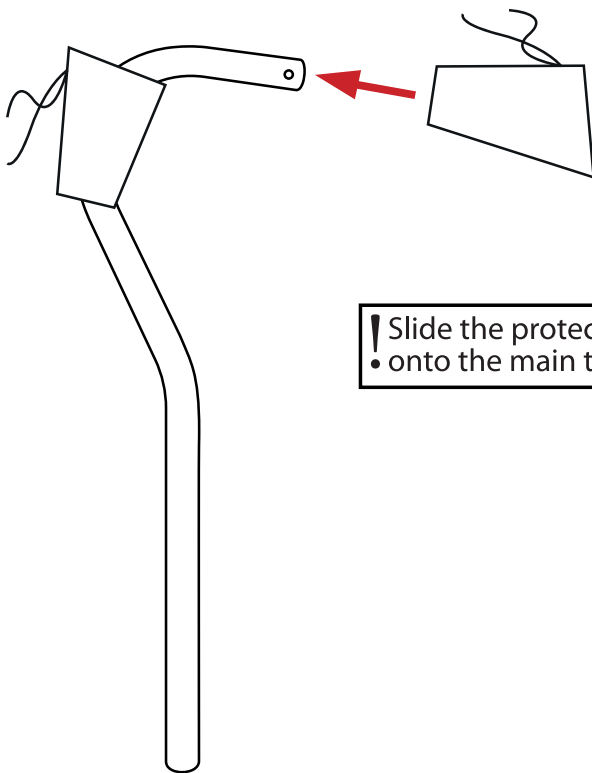


7

! Fit the upper screw through  
• the bracket and the hole nut.



8



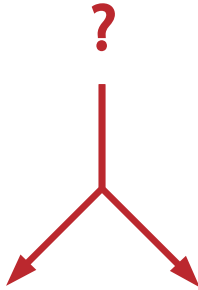
! Slide the protecting sleeve  
• onto the main tube.



# 9

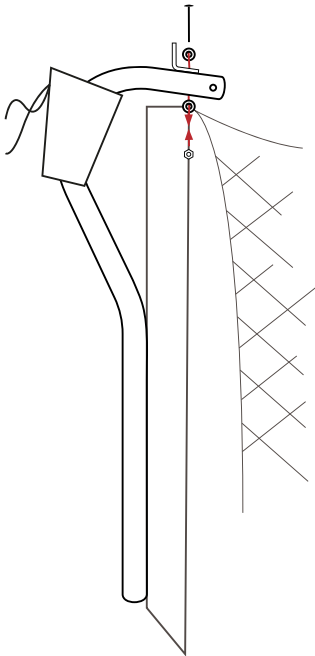
! Choose to use a short arm if you have your enclosure net attached directly to the top caps on the safety net poles. Choose to use the extension arm if your enclosure net is fitted on a distance from the safety net poles.

! Make sure that all screws are fitted securely to prevent injuries.



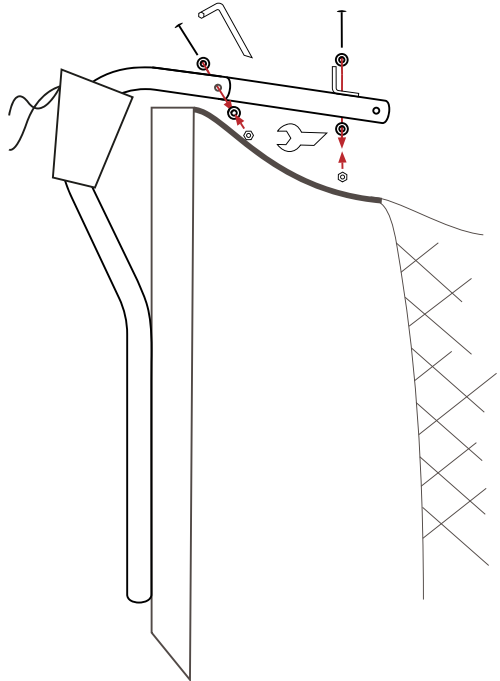
**S**

A red double-headed arrow is positioned below the letter 'S', indicating the length of the short arm.



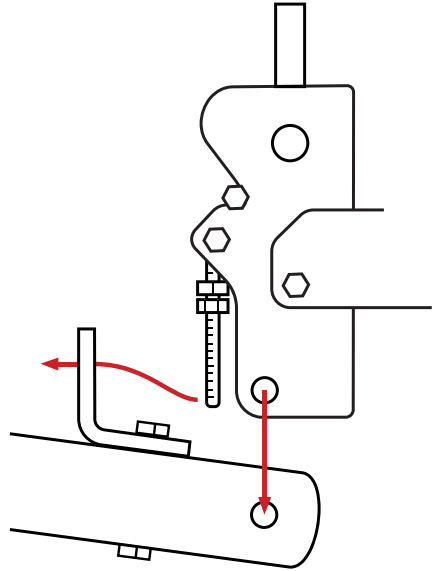
**L**

A red double-headed arrow is positioned below the letter 'L', indicating the length of the long arm.



# 10

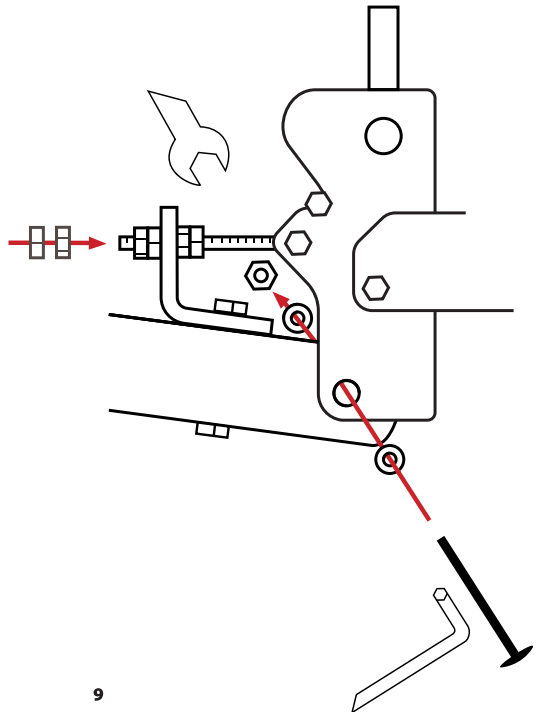
- ! Fit the angle  
• adjustment screw loosely through the hole of the small bracket.



# 11

- ! Fit the pivot screw  
• securely through the main bracket and the main tube or extension arm bracket

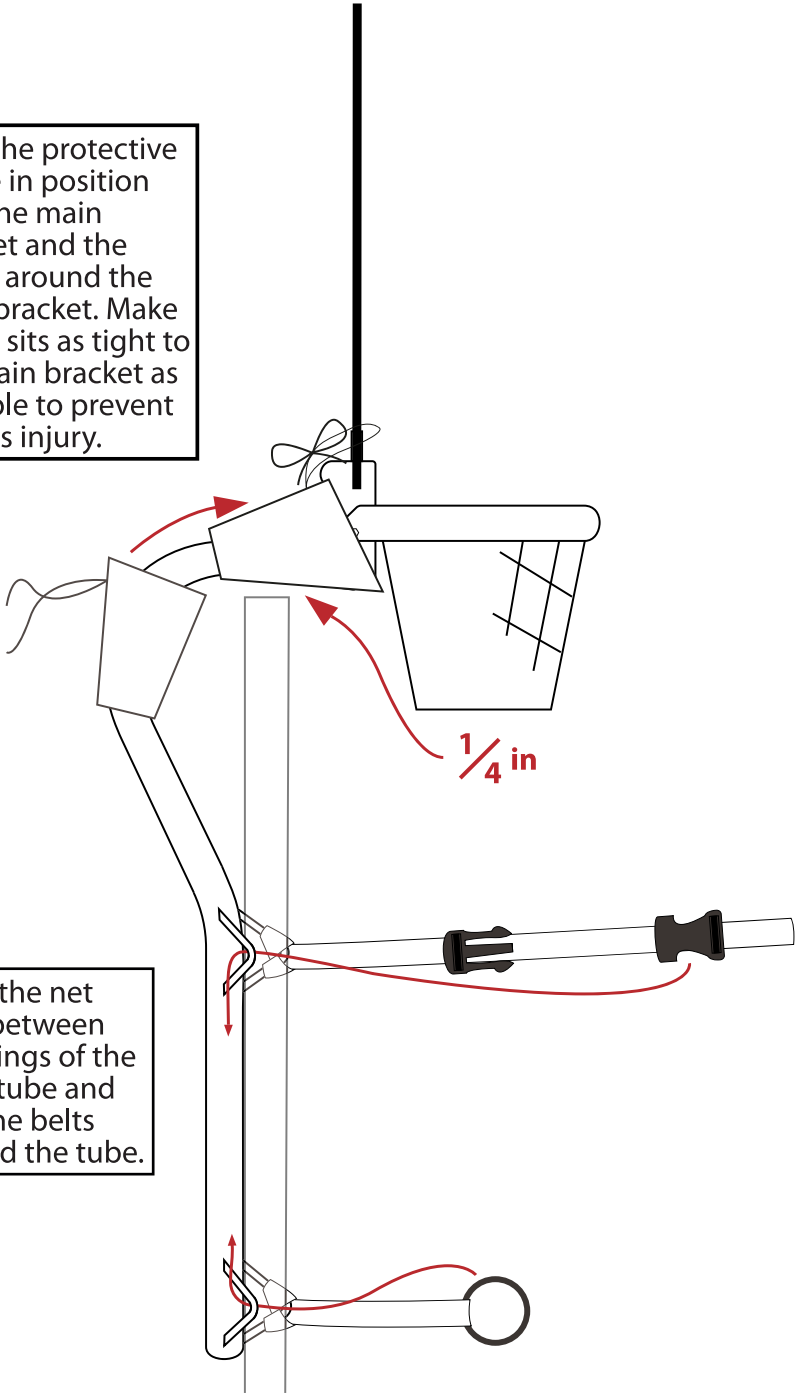
Tighten the 2x double nuts. May need to be adjusted to fit your pole angle.



# 12

1

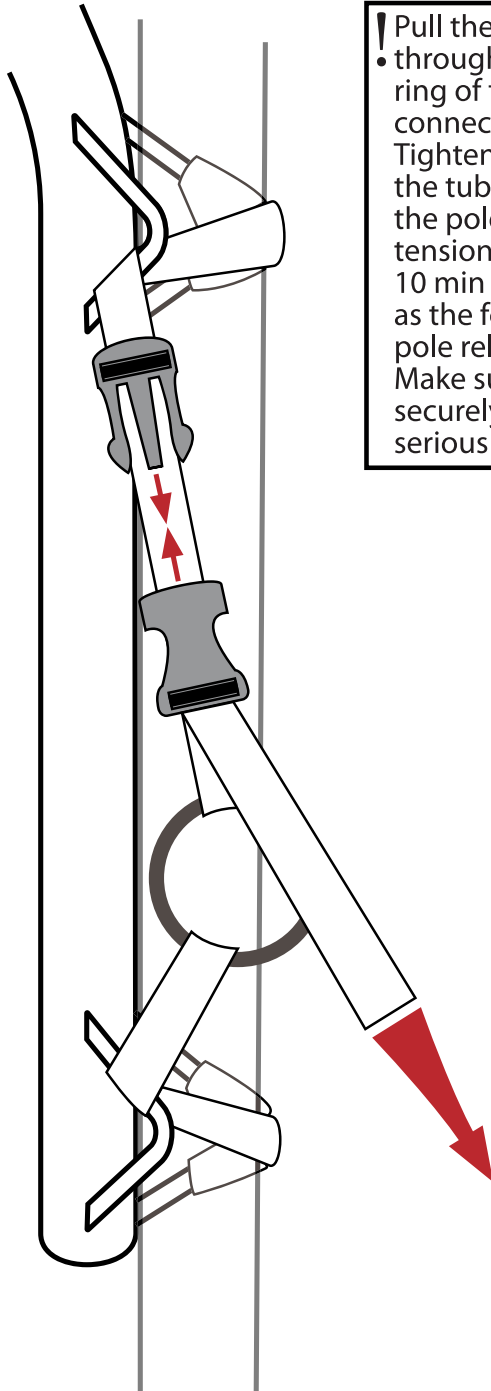
! Slide the protective sleeve in position over the main bracket and the straps around the main bracket. Make sure it sits as tight to the main bracket as possible to prevent serious injury.



2

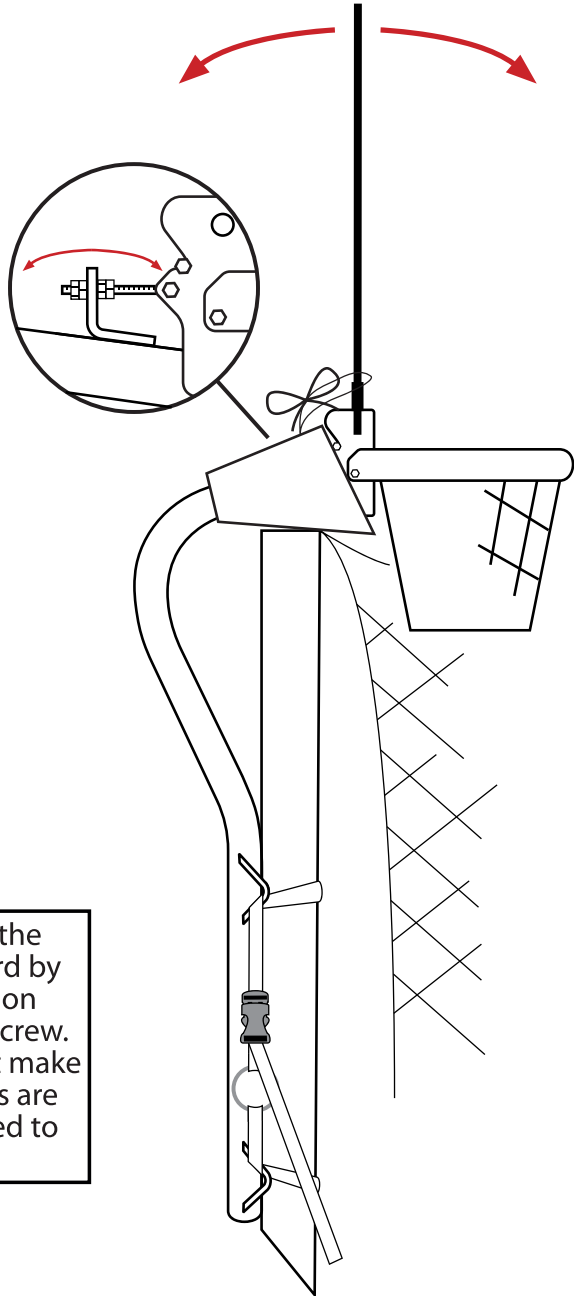
! Place the net pole between the wings of the main tube and pull the belts around the tube.

# 13



! Pull the upper belt through the metal ring of the lower belt, connect the clips. Tighten firmly to fix the tube securely to the pole. Please tension it again after 10 min and 24 hours as the foam on the pole relaxes. Make sure it sits securely to prevent serious injury.

# 14



! If needed adjust the  
• angle of the board by  
moving the nuts on  
the adjustment screw.  
After adjustment make  
sure that the nuts are  
securely tightened to  
prevent injury.



North Trampoline, INC.  
C / O THORELLI AND ASSOCIATES  
70 West Madison ST., STE 5750  
Chicago, IL 60602

[WWW.NORTHTRAMPOLINE.COM](http://WWW.NORTHTRAMPOLINE.COM)