

MIRROR COLUMNS

YXC-□□□□-M□□

MIRROR COLUMNS FOR LIGHT CURTAINS AND ACCESS CONTROL BARRIERS

MAIN FEATURES

- Robust protective profile, attractive design
- Special spring elements automatically reset position in case of mechanical impact
- Complete assembly kit for both device and floor mounting included
- Easy to mount: vertical and axial adjustments can be quickly completed in just a few steps
- One-piece mirror or exchangeable and separately adjustable individual mirrors in accordance with EN 999

APPLICATION AREA

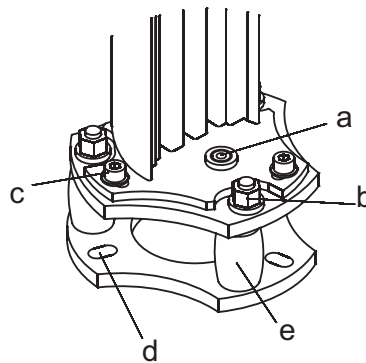
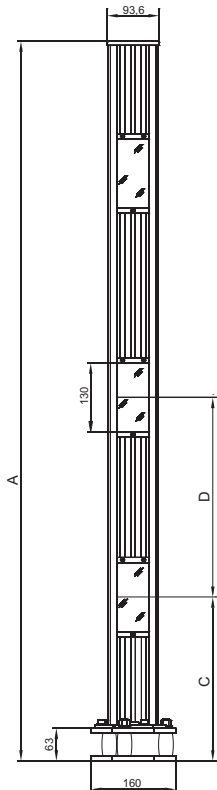
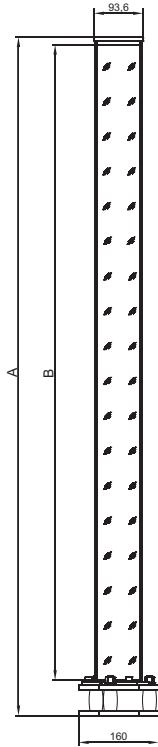
Multi-sided safeguarding of danger zones in combination with safety light curtains and access control barriers, such as Safetinex YBB and YCA models

TECHNICAL DATA

Housing	Aluminum profile housing and steel floor plates
Surface	Powder-varnished, yellow (RAL 1021)

PART REFERENCES

Single-mirror column	Total height (A) [mm]	Mirror height (B) [mm]	Multi-mirror column	Total height (A) [mm]	Beam gap (D) [mm]	Height lowest beam (C) [mm]
YXC-1060-M11	1060	974	YXC-1360-M23	1360	2 x 400	300
YXC-1360-M11	1360	1274	YXC-1360-M24	1360	3 x 300	300
YXC-1660-M11	1660	1574				
YXC-1960-M11	1960	1874				



- a = level
- b = vertical adjustment screws
- c = Allen screws to rotate the column
- d = 3 bore holes for floor braces (Ø 10 mm)
- e = plastic spring element with automatic retraction



Usage of mirror columns UMC reduces the sensor range approx. 10 % per deflection.