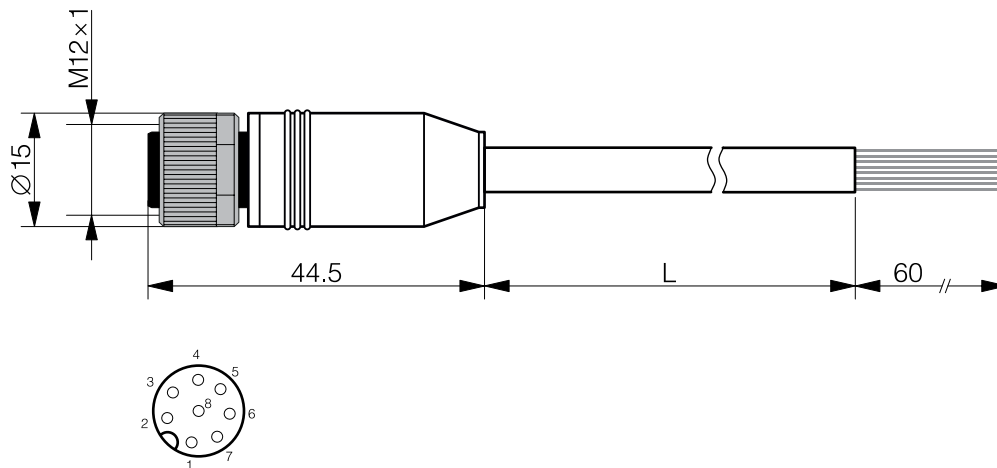


- ✓ PUR cable suitable for oily environments
- ✓ PVC cable suitable for oil-free environments
- ✓ Size S12 (M12 × 1 thread), straight
- ✓ 8 poles
- ✓ IP65 / IP67



TECHNICAL DATA*

Jacket material	See table "Available types" below	Insulation group	IEC 60664-1, category I
Connector material	Nickel-plated zinc	Enclosure rating	IP65 / IP67
Rated voltage	max. 30 VAC/VDC	Ambient temperature range	-25...+80°C
Rated current per contact	max. 2.0 A	Wire structure	0.34 mm ²
Rated surge voltage	max. 0.8 kV	Tightening torque	0.6 Nm

*according to DIN EN 61076-2-101

AVAILABLE TYPES

Part number	Part reference	Type	Cable color	Jacket material	Outer cable Ø	Length**	Weight
623-100-131	S12-8FUG-020	straight	black	PUR	6.0 mm ± 5%	2 m	128 g
623-100-132	S12-8FUG-050	straight	black	PUR	6.0 mm ± 5%	5 m	303 g
623-100-133	S12-8FUG-100	straight	black	PUR	6.0 mm ± 5%	10 m	595 g

Note: additional suffix can appear to indicate a revision version or a special version.

**other lengths upon request

Operators of the products we supply are responsible for compliance with measures for the protection of persons. The use of our equipment in applications where the safety of persons might be at risk is only authorized if the operator observes and implements separate, appropriate and necessary measures for the protection of persons and machines. Terms of delivery and rights to change design reserved. Please check our website for updates.