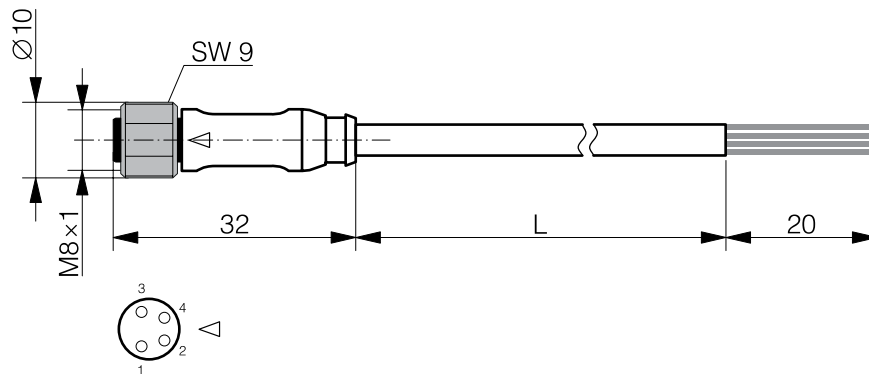
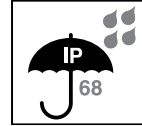
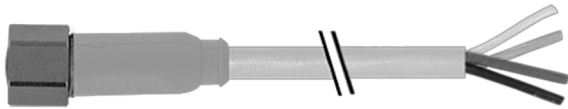


CONNECTIVITY CABLE CONNECTOR STANDARD S08-4FVG-020-NNLN

- ✓ PVC cable suitable for oil-free environments
- ✓ 4 poles
- ✓ Size S8 (M8 × 1 thread), straight, stainless steel V4A
- ✓ IP65 / IP68



TECHNICAL DATA*

Jacket material	PVC	Insulation group	IEC 60664-1, category I
Connector material	Stainless steel V4A	Enclosure rating	IP65 / IP68
Rated voltage	max. 50/60 VAC/VDC	Ambient temperature range	-30 ... +80°C
Rated current per contact	max. 4.0 A	Tightening torque	0.4 Nm
Rated surge voltage	max. 1.5 kV	Outer cable diameter	4.7 mm ± 5%
Wire structure	0.25 mm ²		

*according to DIN EN 61076-2-101

AVAILABLE TYPE

Part number	Part reference	Type	Cable color	Length	Weight
605-002-148	S08-4FVG-020-NNLN	straight	gray	2.0 m	73 g

Note: additional suffix can appear to indicate a revision version or a special version.

Operators of the products we supply are responsible for compliance with measures for the protection of persons. The use of our equipment in applications where the safety of persons might be at risk is only authorized if the operator observes and implements separate, appropriate and necessary measures for the protection of persons and machines. Terms of delivery and rights to change design reserved. Please check our website for updates.