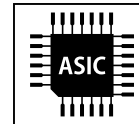
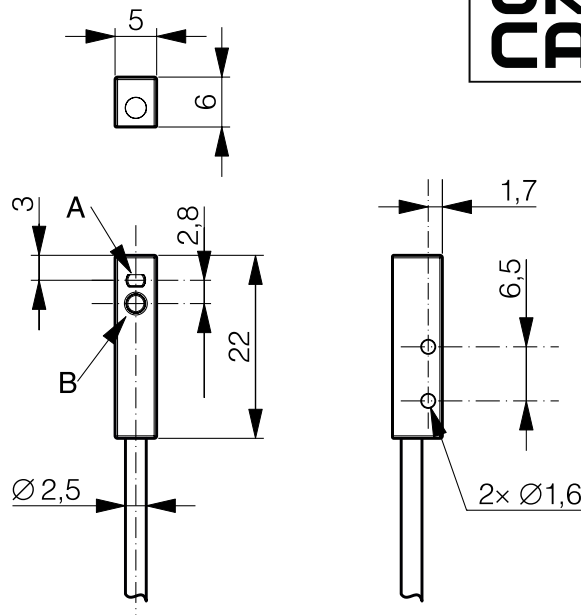


35 mm

- ✓ Miniature housing
- ✓ Analog output + adjustable PNP light-on output
- ✓ Red focused light



A: emitter axis B: receiver axis

OPTICAL DATA		INTERFACE	
Measurement range	0.5 ... 35 mm ¹	Adjustment	Through IO-Link (initial range is 0.5 ... 30 mm on 90% white target for A1)
Resolution	60 µm (S _n =15 mm, 1 kHz) ¹ 10 µm (S _n =15 mm, 10 Hz) ¹ 130 µm (S _n =25 mm, 1 kHz) ¹ 23 µm (S _n =25 mm, 10 Hz) ¹	Indicator LED, green	None
Linearity	Refer to curve on page 2	Indicator LED, yellow	Sensing state
Repeatability	± 2 mm	IO-Link	Yes
Light source	Pinpoint LED, red 650 nm		
Light spot size (distance)	Ø5 mm (35 mm)		
Temperature drift	0.07% / °C		

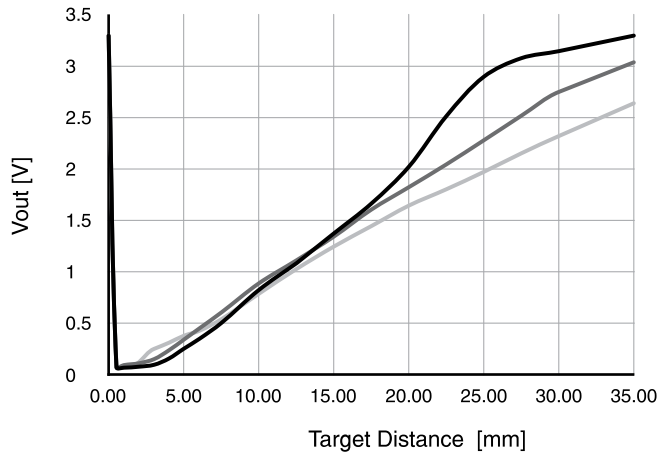
¹Object with 90% reflectance (standard white paper, 30 × 30 mm)

ELECTRICAL DATA		MECHANICAL DATA	
Supply voltage range (U _b)	10 ... 30 VDC	Enclosure rating	IP67
Analog output (current version)	–	Ambient temperature operation	–25 ... +65°C
Analog output A2 (voltage version)	0.1 ... 2.6 V	Shock and vibration	IEC 60947-5-2
Output current A1	≤ 50 mA	Housing material	PBT
Output current A2	≤ 20 mA	Lens material	PMMA
Power consumption (no load)	≤ 10 mA	Weight (cable version)	18 g
Bandwidth	1 KHz	Connection cable	PUR, 2 m, 4-wire
Short circuit protection	Yes		
Voltage reversal protection	Yes		

SENSING RANGE

Target (30×30 mm)	Typical measurement range
90%	0.5 ... 35 mm
18%	0.5 ... 28 mm
6%	0.5 ... 23 mm

RESPONSE CURVE (TARGET 90%)

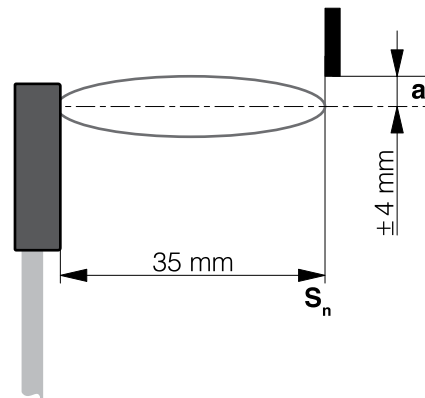


IO-LINK FUNCTIONALITIES

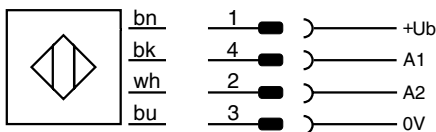
IO-Link version	1.0
SIO mode	Supported
Process data	Detection state & stability alarm
Baudrate	COM2 (38.4 kBaud)
Special functions	Output configuration, output timing, sensitivity, teach command, sensor mode, detection counter, event flags, maximum and actual sensor temperature

IO-Link specifications and IODD files may be downloaded from www.contrinex.com (Download section)

RESPONSE DIAGRAM



WIRING DIAGRAM



AVAILABLE TYPES

Part number	Part reference	Polarity	Connection	Output (A1)	Output (A2)
620-600-469	DTR-C02PA-NMK-139	PNP	PUR, 2 m, 4-wire	PNP, light-on/IO-Link	0.1 ... 2.6 V

Note: additional suffix can appear to indicate a revision version or a special version.

WARNING: the output has no protection and shall not be in contact with any power source.

Operators of the products we supply are responsible for compliance with measures for the protection of persons. The use of our equipment in applications where the safety of persons might be at risk is only authorized if the operator observes and implements separate, appropriate and necessary measures for the protection of persons and machines. Terms of delivery and rights to change design reserved.