

## Multi-Bar LED Grow Light

### Product Description

Eagle Star LED Multi-Bar LED Grow Light series are full spectrum grow lamp fixtures with Samsung +OSRAM LED Chips. They can provide more than 60% higher in PPF compared with HID lamps with lower temperature, which increases the production and saves more than 50% power consumption. The fixtures can be used in many applications such as cannabis cultivation, vegetables, greenhouse, ornamental plants and so on. The slim design fixture that is foldable up to 180 degrees, making it small, compact, and easy to install.

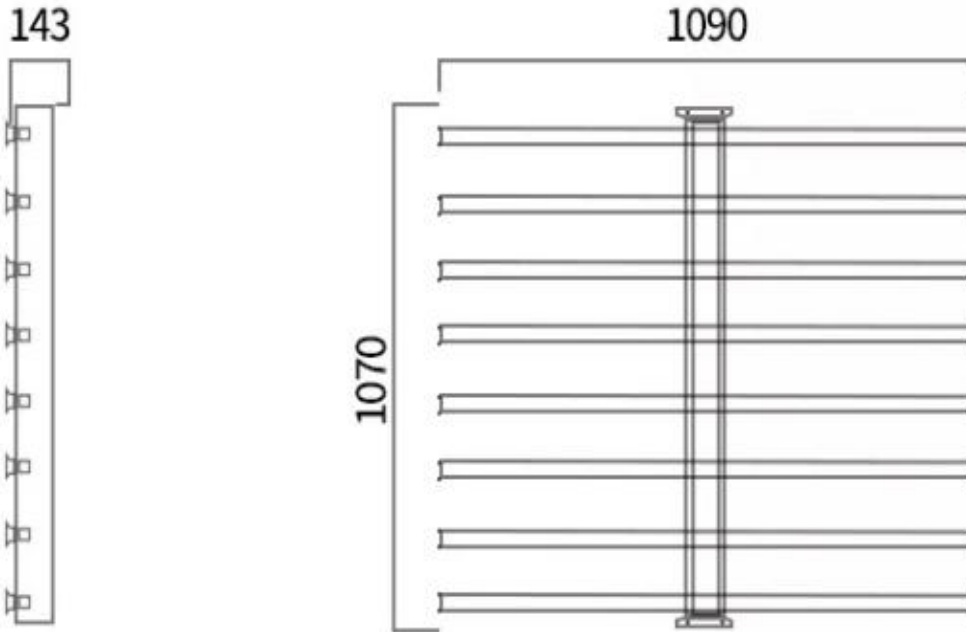


- Meanwell LED driver
- Samsung+Osram LEDs
- Full Spectrum red+white+660nm
- Input voltage 100-277VAC 50Hz/60Hz
- Ideal Working time: 10-14hours;
- Big&wide aluminum body with great heat dissipation
- The fixture can be connected one by one
- 0-10V/APP/WIFI/Computer/Control Table+RJ12
- Easy installation and maintenance
- Footprint: 4ft\*4ft/ 5ft\*5ft/ 6ft\*6ft ;
- Certificate: CE RoHS ETL cETL

### Product Parameters

Model NO.	ESM8000	ESM10000C
Rated Power	800W	1000W
LED Chips	Samsung+Osram LEDs	
Bars Qty	8 pieces	8 pieces
PPF	2240 $\mu\text{mol/s}$	2800 $\mu\text{mol/s}$
Efficacy	2.8-3.0 $\mu\text{mol/J}$	2.8-3.0 $\mu\text{mol/J}$
Input Voltage	100-277VAC 50Hz/60Hz	
Color Ratio	Full Spectrum red+white+660nm	
Working Environment	-20°C~+40°C 45%~95%RH	
Certifications	CE, RoHS, ETL, cETL	
Product Size	1090*1070*143mm	
G.W	17kg	17kg
Carton Size	117*42*16cm	117*42*16cm
Warranty	5 years	

## Product Size

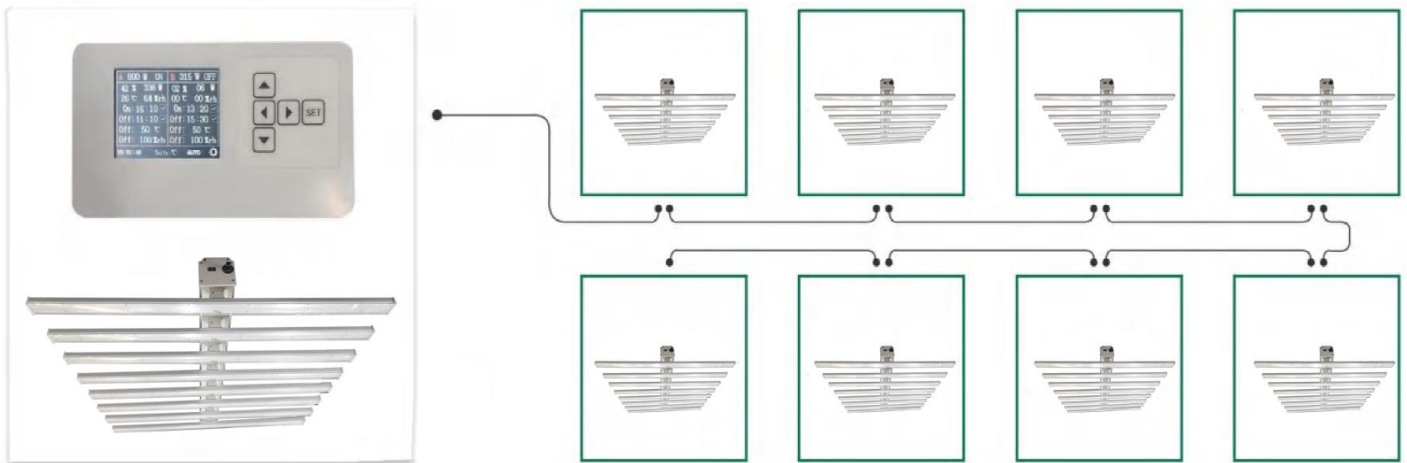


## Control

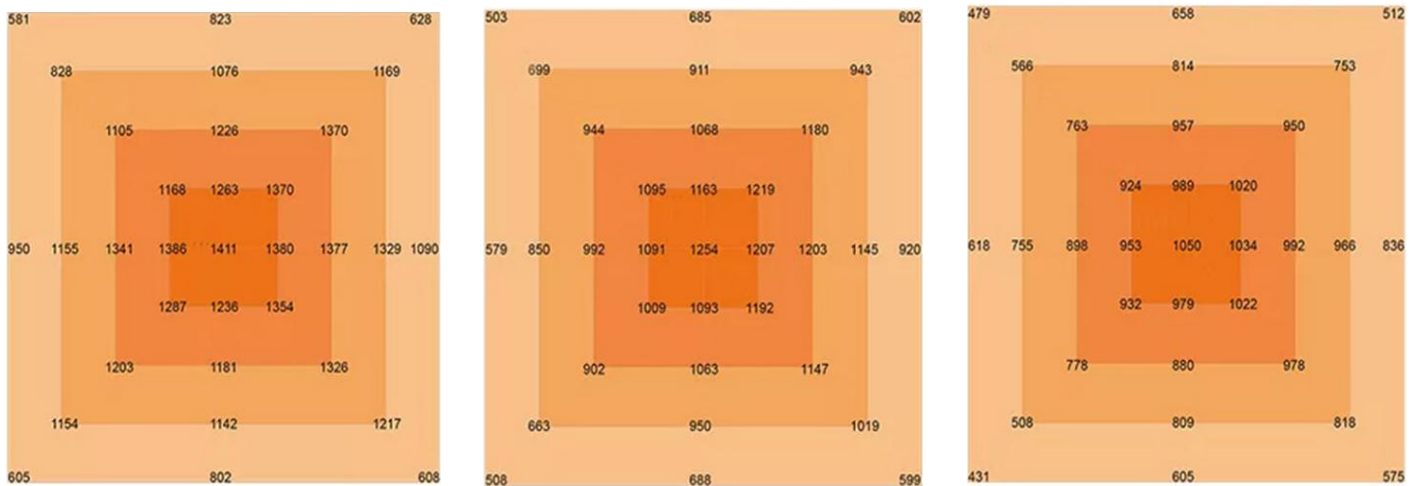
\* Sunrise/Sunset Timing Setup

\* Set Output Level from 0% to 100%

\* Temperature and Humidity Sensors with Cable connection



## PPFD Distribution



## PC Cover



## Applications

