

SAFTEY

Your new Broil King gas smoker is a safe, convenient appliance when assembled and used properly. As with all gas-fired products, however, certain safeguards must be observed. **Failure to follow these safeguards may result in serious injury or damage.** If you have questions concerning assembly or operation, consult your dealer, gas appliance specialist, gas company or our direct customer service line at 1-800-265-2150. / info@omcbbq.com

DANGER

IF YOU SMELL GAS:

- **SHUT OFF GAS TO THE APPLIANCE.**
- **EXTINGUISH ANY OPEN FLAME.**
- **OPEN SMOKER DOORS.**
- **IF ODOR CONTINUES, KEEP AWAY FROM THE APPLIANCE AND IMMEDIATELY CALL YOUR FIRE DEPARTMENT.**

FAILURE TO FOLLOW THESE INSTRUCTIONS COULD RESULT IN FIRE OR EXPLOSION WHICH COULD CAUSE PROPERTY DAMAGE, PERSONAL INJURY OR DEATH.

DANGER

- **NEVER OPERATE THIS APPLIANCE UNATTENDED.**
- **NEVER OPERATE THIS APPLIANCE WITHIN 10FT (3M) OF ANY STRUCTURE, COMBUSTIBLE MATERIAL OR OTHER GAS CYLINDER.**
- **NEVER OPERATE THIS APPLIANCE WITH IN 25FT (7.5M) OF ANY FLAMMABLE LIQUID.**
- **IF FIRE SHOULD OCCUR, KEEP AWAY FROM THE APPLIANCE AND IMMEDIATELY CALL YOUR FIRE DEPARTMENT. DO NOT ATTEMPT TO EXTINGUISH AN OIL OR GREASE FIRE WITH WATER.**

FAILURE TO FOLLOW THESE INSTRUCTIONS COULD RESULT IN FIRE, EXPLOSION OR BURN HAZARD, WHICH COULD CAUSE PROPERTY DAMAGE, PERSONAL INJURY OR DEATH

CAUTION

- **FOR OUTDOOR USE ONLY.**
- **IF STORED INDOORS, DETACH AND LEAVE LP CYLINDER OUTDOORS.**
- **THIS APPLIANCE MUST NOT BE OPERATED UNATTENDED.**
- **SPECIAL CARE MUST BE TAKEN TO KEEP SMALL CHILDREN AND PETS WAY FROM HEATED SURFACES.**
- **DO NOT MOVE THE APPLIANCE WHEN IN USE.**

Use caution when handling or transporting this product. Metal edges can be hazardous. Use appropriate gloves when lifting or handling. Before lifting, remove side shelves, grids and grates.

ELECTRICAL CAUTION

1. If any accessory is used on this appliance that requires an external electrical power source, the accessory when installed must be electrically grounded in accordance with local codes. In the absence of local codes, the following standards apply:

(U.S.A.) ANSI/NFPA No. 70-Latest Edition
and
(Canada) CSA C22.1 Canadian Electrical Code

2. Do not cut or remove the grounding prong from the plug.
3. Keep the electrical supply cord and fuel supply hose away from any heated surface.

PROPOSITION 65 WARNING

Handling the brass material on this product exposes you to lead, a chemical known to the state of California to cause cancer, birth defects or other reproductive harm. WASH YOUR HANDS AFTER HANDLING THIS PRODUCT.

WARNING

Fuels used in gas or oil fired appliances, and the products of combustion of such fuels, contain chemicals known to the State of California to cause cancer, birth defects or other reproductive harm. "This warning is issued pursuant to California Health and Safety Code Sec. 25249.6

INSTALLATION

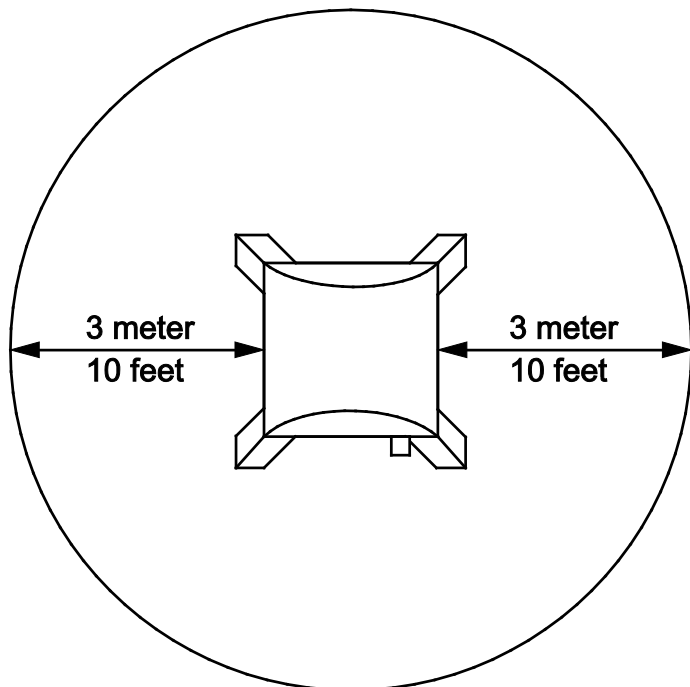
1. In the U.S.A., this appliance must be installed in accordance with the local code and the relevant national code:

ANSI Z223.1/NFPA 54, National Fuel Gas Code
ANSI/NFPA 58, Storage and Handling of Liquefied Petroleum Gases

2. In Canada, this appliance must be installed in accordance with the local code and the relevant CSA standards:

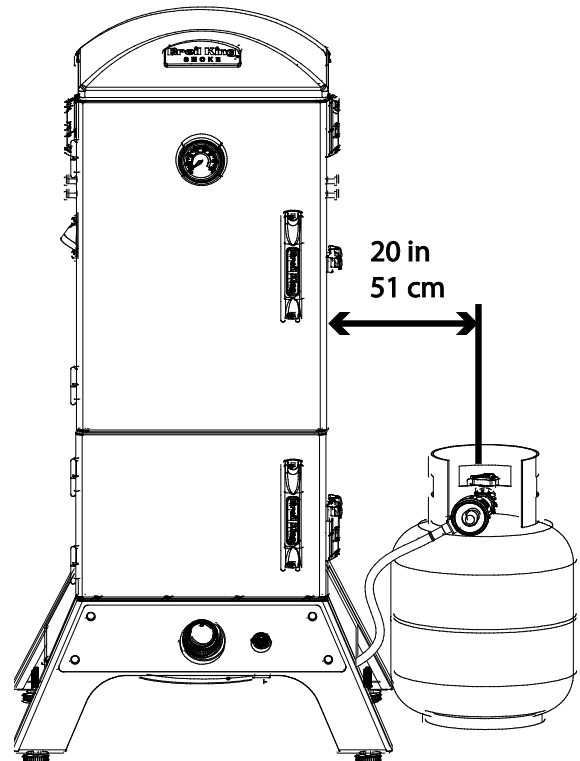
CSA-B149.1 Natural Gas and Propane installation Code
CSA-B149.2 Propane Storage and Handling

3. The appliance must be located away from combustible surfaces by at least 3m / 10feet from each side, and 3m / 10feet from the rear.



LP GAS CYLINDER PLACEMENT

The instructions below apply to LP models only. LP gas cylinders must be installed according to assembly instructions using retainer provided. Do not store a spare cylinder under or near this appliance. All cylinders used must be compatible with supplied means of cylinder retention.



4. Do not operate this appliance under any overhead roof construction or foliage.
5. This appliance is for OUTDOOR USE ONLY, DO NOT operate in garage, shed, balcony or other such enclosed areas.
6. DO NOT restrict the flow of air to the appliance.
7. Keep the area surrounding the appliance free of combustible materials, gasoline, and all flammable liquids and vapors.
8. This appliance is not intended to be installed in, or on, recreational vehicles and/or boats.
9. Keep the ventilation opening(s) of the cylinder enclosure free and clear from debris.
10. Keep the fuel supply hose away from any heated surface(s)
11. Not intended for commercial use.

LP GAS CYLINDER

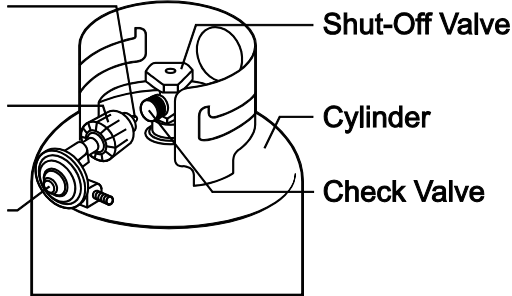
QCC[®]-1 QUICK CLOSING COUPLING

1. All models are designed to be used with an LP gas cylinder equipped with the QCC[®]-1 Quick Closing Coupling system.
2. The QCC[®]-1 system incorporates new safety features required by the American National Standards Institute (ANSI) and the Canadian Standards Steering Committee.
 - Gas will not flow until a positive connection has been made.
 - A thermal element will shut off the flow of gas between 240° and 300° F.
 - When activated, a Flow Limiting Device will limit the flow of gas to 10 cubic feet per hour.

Nipple with Flow Limiting Device

Heat Sensitive Hand Wheel

Regulator



3. **The LP Gas Cylinder is not included with the Gas Grill.** Be sure to purchase one with the QCC[®] valve. This valve is recognized by the external threads on the inlet port of the valve. QCC[®] equipped cylinders are available from your Gas Grill Dealer.

NOTE: Any attempt to connect the regulator, by use of adapters or any other means, to any other valve could result in damage, fire or injury and may negate the important safety features designed into the QCC[®]-1 system.

SPECIFICATION:

1. All LP gas cylinders used with this appliance must be constructed and marked in accordance with the *Specifications for LP Gas Cylinders* of the U.S. Department of Transportation (D.O.T.) or the National Standard of Canada, *CAN/CSA-B339, Cylinders, Spheres and Tubes for Transportation of Dangerous Goods; and Commission*, as applicable
2. The LP gas cylinder used for this appliance must not have a capacity larger than 20 lb.(9 kg). Approximately 18" (46cm) high, 12" (31cm) diameter
3. All LP gas cylinders used with this appliance should be inspected at every filling and re qualified by a licensed service outlet at the expiry date (10 years), in accordance with the DOT (USA) and CTC (Canada) codes for LP Gas Cylinders.
4. All LP gas cylinders used with this appliance must be provided with a shutoff valve terminating in a cylinder valve outlet No. 510, specified in the Standard for Compressed Gas Cylinder Valve Outlet and Inlet Connection (USA) ANSI/CGA-V-1-1977 (Canada) CSA B96.
5. The cylinder supply system must be arranged for vapor withdrawal.
6. The cylinder must include a collar to protect the cylinder valve.
7. The cylinder must be installed as per assembly instructions.
8. Never fill the cylinder beyond 80% full. A fire causing death or serious injury may occur.
9. The cylinder valve must include a safety relief device having direct communication with the vapour space of the cylinder.

HANDLING:

1. Government regulations prohibit shipping full LP gas cylinders. You must take your new cylinder to a LP gas dealer for filling.
2. A filled LP gas cylinder is under very high pressure. Always handle carefully and transport in the **upright** position. Protect the valve from accidental damage.
3. Do not tip the LP gas cylinder while connecting it to the regulator. Fasten the cylinder securely during transport, use and storage.
4. If the cylinder is tipped after it is connected to the regulator, shut off the gas, disconnect the regulator and have it checked before using again.

STORAGE:

1. Store the LP gas cylinder outdoors in a well ventilated place.
2. Do not store the LP gas cylinder in direct sunlight, near a source of heat or combustion.
3. If you intend to store the grill indoors, disconnect and remove the LP gas cylinder first. Disconnected cylinders must have a dust cap installed and must not be stored in a building, garage or any other enclosed area.
4. Keep out of the reach of children.
5. When the LP gas cylinder is connected to the gas grill, the gas grill and LP gas cylinder must be stored outside in a well ventilated place.

OPERATION:

1. Never connect your gas grill to an LP gas cylinder without the regulator provided, and **NEVER TO AN UNREGULATED LP GAS SUPPLY**. The gas regulator supplied with the appliance must be used.
2. **Always** leak test the LP gas cylinder to regulator connection when connecting the LP gas cylinder to the appliance. See "Leak Testing".
3. **Do not** operate appliance if the smell of LP gas is present. Extinguish all flame and determine source of LP gas before proceeding. **Do not** ignite the appliance until the LP gas leak has been found and sealed.
4. **Always** shut off LP gas cylinder valve when the appliance is not in use.

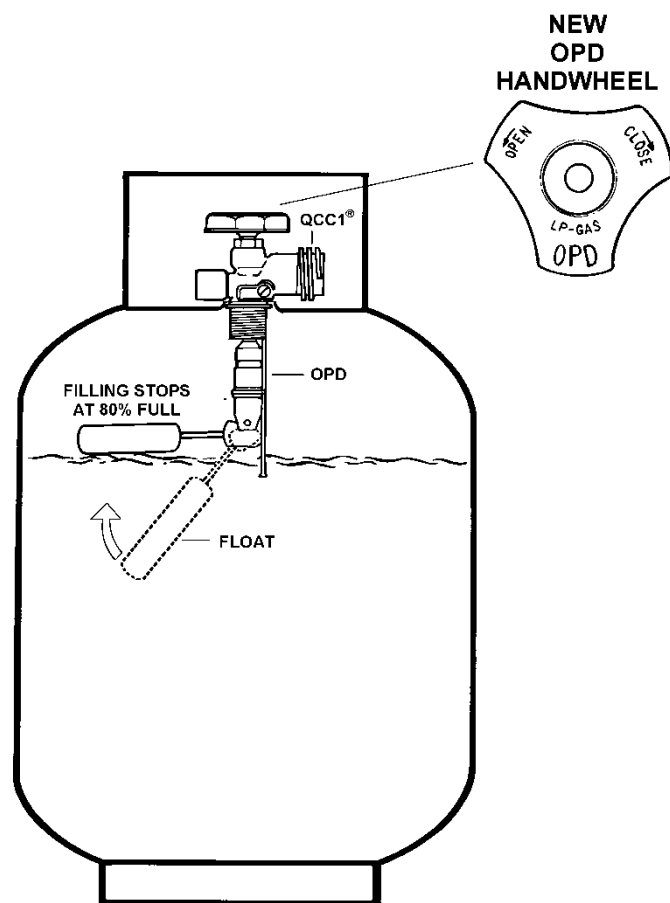
OPD EQUIPPED CYLINDER

OVERFILL PREVENTION DEVICE

1. The standard for outdoor gas appliances, ANSI Z21.58/CAN/CGA-1.6, requires that appliances are to be used with cylinders equipped with an Overfill Prevention Device (OPD).
2. The OPD is designed to reduce the potential for the overfilling of propane cylinders, thus reducing the possibility of relief valve discharges of raw propane. **The OPD causes a slower purge/fill operation.** Some consumers have been advised by filling stations that these cylinders are "defective". **This is not a defect.** Some propane filling stations may not be aware of this device and its effect on the purge/fill operation.
3. New OPDs coming onto the market have technology that allows for much greater BTU outputs which will decrease the amount of time it takes to purge a cylinder.

IDENTIFICATION

To identify these cylinders, the OPD handwheel has been standardized to the shape shown.



HOSE & REGULATOR

1. All models are equipped with a hose and regulator with a QCC®-1 Quick Closing Coupling.
2. The QCC® coupling contains a magnetic Flow Limiting Device which will limit the flow of gas should there be a leak between the regulator and the appliance valve. This device will activate if the cylinder valve is opened while the appliance valves are open. **Be sure the appliance valves are off before the cylinder valve is opened to prevent accidental activation.**
3. The QCC® coupling incorporates a heat sensitive hand wheel that will cause the back check module in the QCC® cylinder valve to close when exposed to temperatures between 240° and 300°F. Should this occur, do not attempt to reconnect the hand wheel. Remove hose/regulator assembly and replace with a new one.
4. The pressure regulator is set at 11 inches WC (water column) and is for use with LP gas only. The hose and hose couplings comply with CGA Standard CAN 1.83. No modifications or substitutions should be attempted.
5. Protect the hose from dripping grease and **do not allow the hose to touch any hot surface, including the base casting of the barbecue.**
6. Inspect the seal in the QCC® cylinder valve when replacing the LP gas cylinder or once per year whichever is more frequent. Replace the seal if there is any indication of cracks, creases, or abrasion.
7. Inspect the hose before each use of the barbecue. If the hose is cracked, cut, abraded or damaged in any way, the appliance must **not** be operated.
8. For repair or replacement of the hose/regulator assembly, contact customer service at 1-800-265-2150 or info@omcbbq.com

CONNECTION

1. Be sure cylinder valve and appliance valves are "off".
2. Place full LP gas cylinder in LP tank well and secure base as per assembly instructions.
3. Center the nipple in the cylinder valve and hold in place. Using other hand, turn the hand wheel clockwise until there is a positive stop. **Do not use tools. Hand tighten only. When making the connection, hold the regulator in a straight line with the cylinder valve, so as not to cross thread the connection.**
4. Leak test connections. See "Leak Testing".
5. Refer to lighting instructions. **To avoid activating the Flow Limiting Device when lighting, open cylinder valve slowly with the appliance valves off.** If the Flow Limiting Device is accidentally activated, turn off cylinder valve and appliance valves, wait 10 seconds to allow the device to reset, open cylinder valve slowly, then open the appliance valve.

DISCONNECTION

Always close LP cylinder valve and remove coupling nut before moving cylinder from specified operation position.

LEAK TESTING

LEAK TESTING

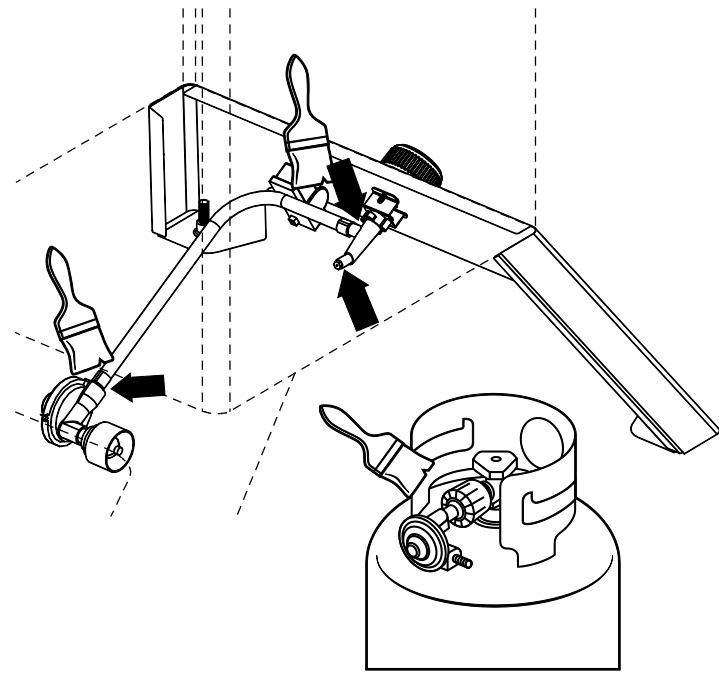
All factory-made connections have been rigorously tested for gas leaks. However, shipping and handling may have loosened a gas fitting.

AS A SAFETY PRECAUTION:

- Test all fittings for leaks before using your gas smoker.
- Test the cylinder valve for leaks each time the cylinder is filled.
- Test for leaks every time you connect a gas fitting.
- Do not smoke at any time while testing.
- Never test for leaks with a lit match or open flame.
- Test for leaks outdoors.

TO TEST FOR LEAKS:

1. Extinguish any open flame or cigarettes in the area.
2. Be sure that cylinder valve and gas valves are "OFF."
3. Connect LP gas cylinder. See "Hose and Regulator."
4. Prepare a soap solution of one part water, one part liquid detergent.
5. With a full gas cylinder, open cylinder slowly.
6. Brush the soap solution on each connection.

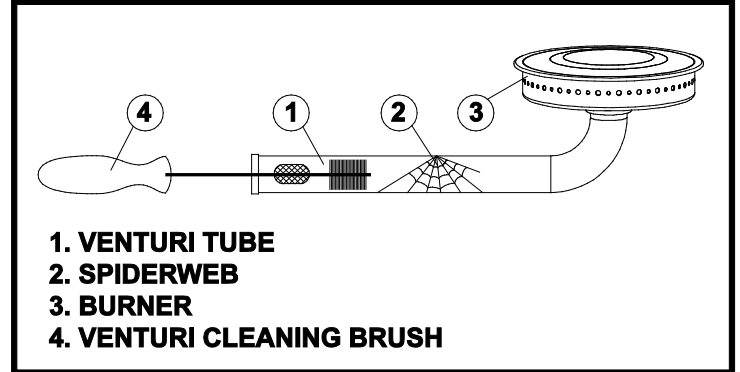


7. A leak is identified by a flow of bubbles from the area of the leak.
8. If a leak is detected, close the gas cylinder "shut-off" valve, tighten the connection and retest.
9. If the leak persists, contact your gas smoker dealer for assistance. Do not attempt to operate appliance if a leak is present.

VENTURI TUBES

VENTURI TUBES

Always keep venturi tubes clean. Blockages in the venturi tubes caused by spiders, insects and nests can cause a flashback fire. In fact, although the smoker may still light, the backed up gas can ignite and cause a fire around the venturi tubes at the control panel.



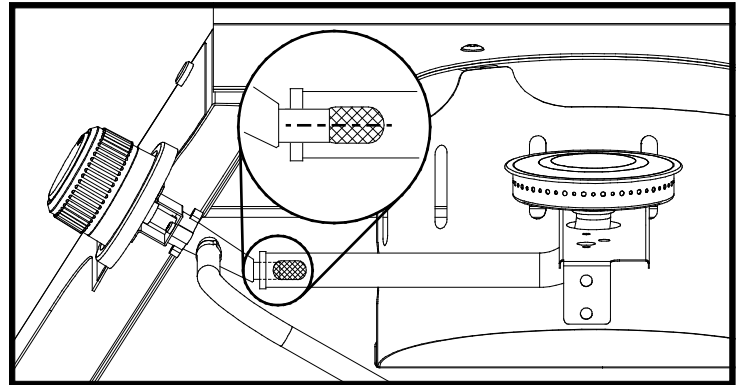
1. VENTURI TUBE
2. SPIDERWEB
3. BURNER
4. VENTURI CLEANING BRUSH

If a flashback fire occurs, turn off gas at the source immediately. Inspect and clean the venturi tubes (main burner, side burner, rear burner) if any of the following symptoms occur:

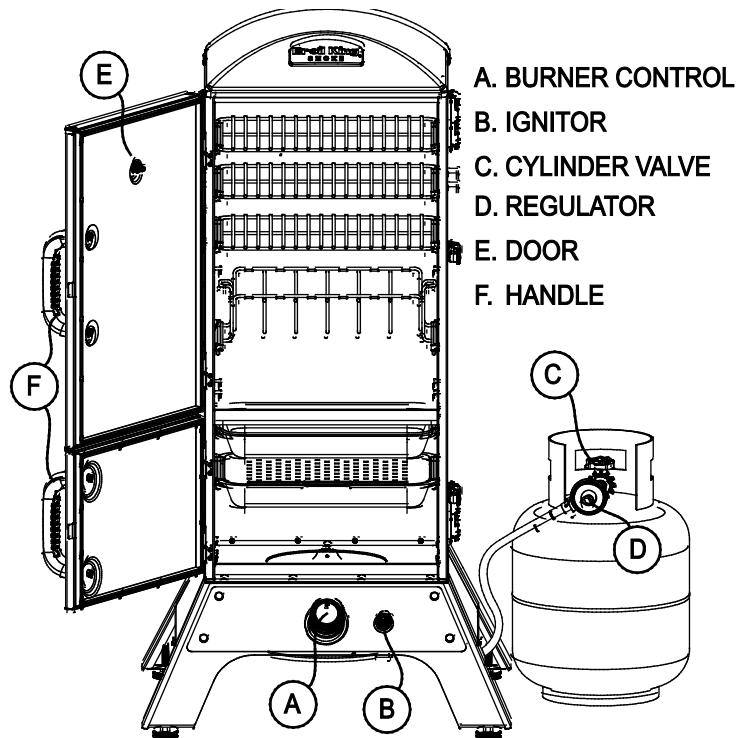
1. You smell gas.
2. Your smoker does not reach temperature.
3. Your gas smoker heats unevenly.
4. The burners make popping noises.

INSPECTING & CLEANING VENTURI TUBES

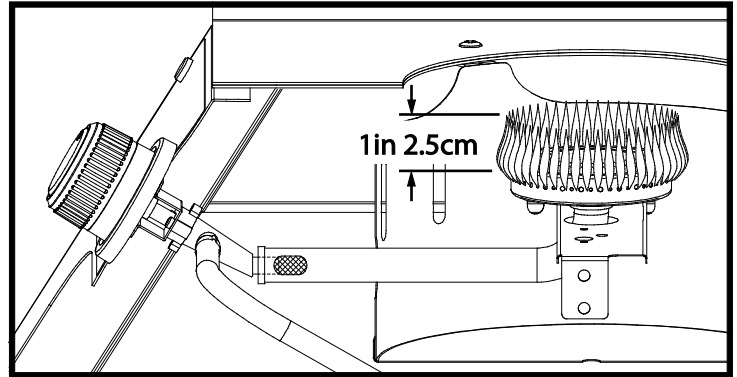
1. Turn off gas by closing the propane cylinder valve
2. When the smoker is cool, remove the burner fasteners. Proceed to lift the burner from the burner housing.
3. Clean the venturi tubes with a pipe cleaner or venturi cleaning tool (Accessory #77310).
4. Lower the burner into position in the burner housing, making sure that the venturi tubes are correctly aligned and fitted on the orifices.
5. Secure burners with burner fasteners.



LIGHTING



CAUTION - Check your gas grill after lighting. All burner ports should show a 1in / 2.5cm flame on "HIGH."



If any of the following symptoms occur there is probably a blockage in the venturi tubes. Shut off gas at once and clean the venturi tubes. See "Venturi Tubes." (page 6)

1. You smell gas.
2. A flashback fire occurs.
3. Your Smoker heats unevenly.
4. The burner make popping noises.

LIGHTING INSTRUCTIONS

1. The appliance must be assembled as per the assembly instructions.
2. Ensure LP cylinder is full and properly connected to the regulator. See: "Hose and Regulator." (page 5)
3. Ensure there are no gas leaks in the gas supply system. See: "Leak Testing." (page 6)
4. Ensure that the venturi tubes are properly located over the gas valve orifice. (see Venturi diagram, page 6)
5. Ensure that the Main Burner ignition wire is connected.
6. Carefully review all instructions on the information plate attached to the smoker.
7. **WARNING:** Always open the door before lighting and do not lean over the smoker while lighting.
8. Set control knobs to "OFF" and turn on the gas supply.

LIGHTING THE BURNER

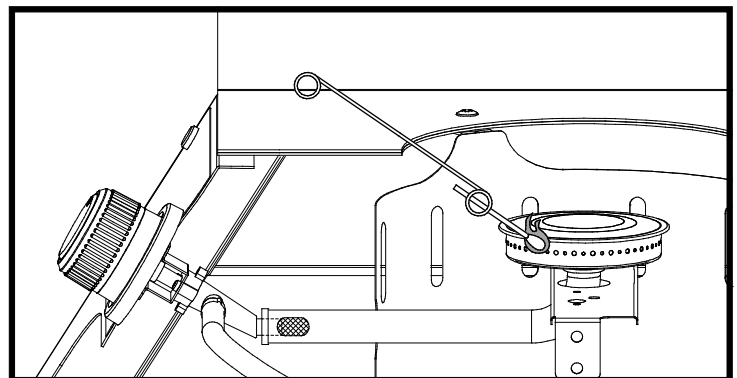
- a. Open the smoker door and leave open until lit.
- b. Check that the battery has been installed in the electronic ignition.
- c. Push and turn one the main control knob to "HIGH."
- d. Push and hold down the ignitor button or use match to light.
- e. Burner should ignite within 5 seconds; turn off gas source immediately if ignition does not occur in this timeframe. To light burner with a match proceed below to step f
- f. Attach match to the match light chain and light.
- g. Lower lit match to the burner.
- h. Push and turn right main burner control knob to "HIGH."
- i. Burner should ignite within 5 seconds.

IF BURNER DOES NOT IGNITE OR BURNER EXTINGUISHES:

1. Push and turn control knob to "OFF." Wait 5 minutes then try again with control knob set at "MEDIUM."
2. If the burner will not light, see "Troubleshooting" on page 11. If problems persist, do not attempt to operate the appliance; contact OMC, your dealer or an approved service center.

SHUTDOWN:

1. Turn off cylinder valve.
2. Turn control knobs to "OFF."



Match lighting the burner using the match light chain.

OPERATION

GETTING STARTED

Before cooking on your gas smoker for the first time, remove the grates, smoker pan, and water pan; wash thoroughly in warm, soapy water. Rinse completely and dry with a soft towel - don't air dry, and don't ever put in dishwasher.

Initial Burn-in - Before you start to cook on your Broil King® Smoke™ Vertical Propane Smoker you have to burn off the protective residues from manufacturing. Light your smoker, as outlined on page 7: "lighting your smoker", and leave the burner on high for a minimum of 30 minutes. This will burn off any of the protective coating from manufacturing and begin the process of smoke-curing the internal components of the smoker. The more you use your smoker, the better the seasoning will be.

SMOKING TECHNIQUES

Smoking - Less than 275°F

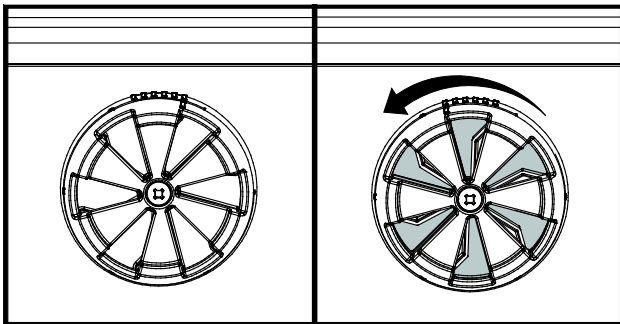
This classic form of barbecue involves cooking of larger cuts of meat at low temperatures (less than 275°F (135°C) for a relatively long time (often 4+ hours). Using wood chips infuses slow cooked meats and other items with smoky barbecue flavor and yields incredibly tender results.

Smoke roasting – 275°F – 400°F

Also known as indirect grilling, this is similar setup to smoking; smoke roasting is an accelerated version of the same principles. It works well for more conventional roasts, chickens and items that are frequently oven roasted. The combination of smoke and cooking time creates great flavor in a shorter time than true smoking

CONTROLLING TEMPERATURE

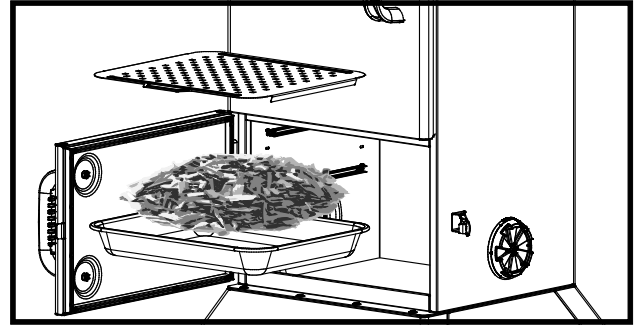
The Broil King® Smoke™ Vertical Propane Smoker allows you to control cooking temperature by adjusting the control knob and exhaust dampers. Use barbecue mitts or hot pads to protect hands while cooking or adjusting the dampers.



WOOD CHIPS

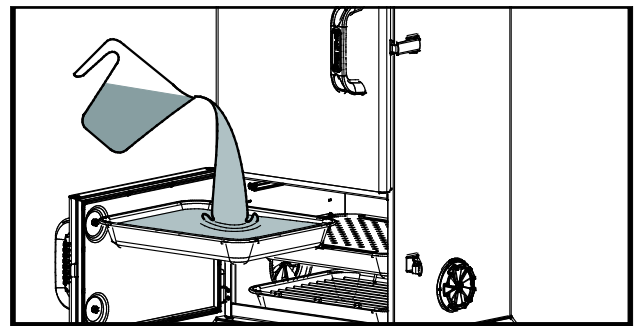
Pre-soak wood chips for 30 minutes before adding to smoker. Add wood chips after the main burner is lit, but before adding meat to the smoker. Do not place wood chips in the grease pan. Smoke flavor accumulates best on cool items that have moisture on the outside. Once the exterior of the item dries out, it will no longer take on smoke flavor.

For best results, try to maintain a temperature of 200°F to 300°F for most smoked meats. Always cook to the specified internal temperature for a given meat. That is the only way to ensure food safety.



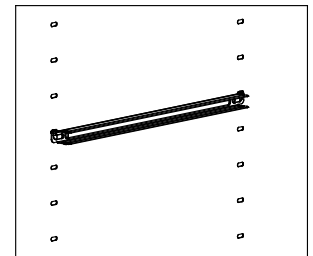
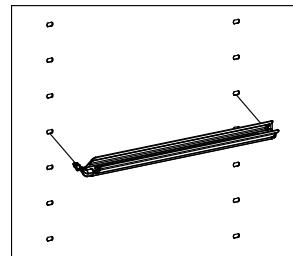
CONTROLLING MOISTURE

Water pan: Your vertical charcoal smoker is equipped with a water pan to keep food from drying out. Use water, juice, and other herbs and spices to create another layer of flavor as you use your smoker.



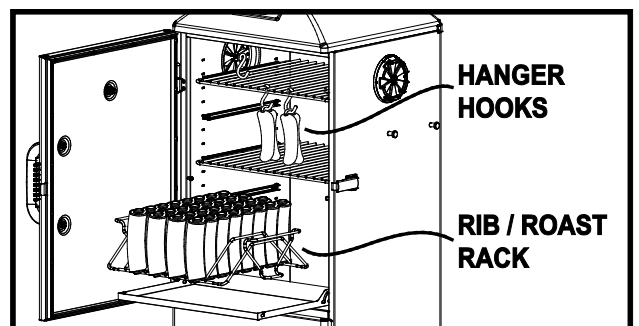
COOKING ACCESSORIES

Adjustable Racks: The rails for holding the cooking grids and trays are fully adjustable, allowing for most efficient use of your cabinet smoker.



Rib / Roast Rack: Your smoker includes a rib / roast rack that can be used in place of the stainless steel cooking grids. Maximize the space in your smoker by keeping ribs upright.

Stainless Steel Hooks: Leave the upper rack in place, and use the 16 hooks provided to hang sausage, chicken pieces, whole fish, and other items.



RECIPES

BBQ RUB

- 2 tablespoons brown sugar
- 1 teaspoon kosher salt
- 1 teaspoon freshly ground black pepper
- 1 tablespoon cumin
- 2 teaspoons dry mustard
- 2 teaspoons paprika
- 2 tablespoons chili powder
- 1 teaspoon onion salt
- 1 teaspoon celery salt
- 1 teaspoon garlic powder
- 1 tablespoon oregano

SMOKED CHICKEN

- Preheat smoker to 275°F (135°C)
- 1 whole chicken, separated, or chicken pieces – thighs, wings, drumsticks, up to 5 lbs.
- Rub chicken pieces with general purpose BBQ rub, let stand 30 minutes
- Add water pan to smoker
- Add handful of apple or other wood chips to smoker tray
- Arrange chicken on cooking grids
- Cook 2.5 – 4 hours
- Internal temperature must reach 165°F (74°C)
- Cover, let stand 10 minutes
- Serve and enjoy

RIBS

- Preheat smoker to 250°F (121°C)
- 4 racks pork ribs
- Peel membrane from ribs
- Season liberally with barbecue rub
- Add water pan with apple juice to smoker
- Add handful of apple or other wood chips to smoker tray
- Arrange ribs on cooking grids, or in the included rib rack
- Cook 3-4 hours
- If desired, apply barbecue sauce at this time and finish using your Broil King Gas Barbecue at 400°F for 10 – 20 minutes.
- Remove from smoker, cover and let stand 10 minutes
- Serve and enjoy

PULLED PORK

- Preheat smoker to 225°F (107°C)
- 4 – 15 lb. Pork Shoulder (Smaller cuts will often be labelled Boston Butt or picnic shoulder)
- Season liberally with barbecue rub
- Add water pan with apple juice to smoker, set pork shoulder above pan
- Add handful of wood chips to smoker tray
- Place pork shoulder on cooking grids
- Cook 4 + hours to an internal temperature of at least 185°F (85°C)
- Remove from smoker, wrap with foil, let stand 30 minutes
- Chop using Broil King® Super Flipper (#64011) or pull using Broil King® Meat Claws (#64070)
- Apply sauce as desired
- Serve and enjoy

MAINTENANCE

REGULAR MAINTENANCE

The following components should be inspected and cleaned (as necessary) before every usage of your gas smoker to ensure optimal performance, safety and efficiency.

COOKING GRIDS

All OMC cooking grids are coated with a durable finish to protect the grids and reduce the tendency of food sticking to grids. With all OMC cooking grids instead of burning off your smoker after each usage, we recommend leaving food residue on grids and performing a Burn-Off (see below) before each use; this helps build up a protective layer of oil on the grids and will aid in preventing rust and deterioration.

SEASONING GRIDS

Cooking grids should be seasoned before every use by wiping or spraying them with vegetable or olive oil. Ensure that the whole surface of the grid is covered by a light layer of oil. This helps prevent rusting and deterioration. If rusting does occur, scrape it off gently with a scrub pad and season thoroughly. During longer periods of inactivity, grids should be seasoned, wiped dry then stored in a dry place. Before first usage and after periods of storage, grids should be washed dried with paper towel then wiped down thoroughly with vegetable or olive oil.

WATER PAN

After each cook, it will be necessary to empty the water pan. Wait for the smoker to completely cool. Carefully remove the water pan and dispose of cooking liquid and food residue. Wash the water pan with soap and water

SMOKER BOX

After each cook, it will be necessary to empty the smoker box. Wait for the smoker to completely cool. It is a good idea to douse wood chips with water to insure they are completely extinguished. Carefully remove the smoker box and dispose of spent wood chips residue. Wash the pan with soap and water

BURN-OFF

First make sure the water pan and smoker box has been emptied. Ignite the burners as per "Lighting" (page 7). Operate gas Smoker on HIGH with door closed for 10 min. or until smoking stops. Turn the gas source off then turn control knobs to OFF. When the smoker is completely cool. Clean the interior as necessary by scraping the sides and bottom of the cookbox and vacuuming or sweeping up debris.

ANNUAL MAINTENANCE

The following components should be inspected and cleaned at least once a year or after any period of storage over 30 days to ensure optimal performance, safety and efficiency.

BURNER

Remove burner and inspect for cracks and deterioration. Clean venturi tubes using a pipe cleaner or venturi brush to eliminate any blockages. See "Venturi Tubes." (page 6) While the burner is removed, clean the interior of cookbox by scraping the sides and bottom of the cookbox and vacuuming.

HOSE

Inspect and replace if necessary. For propane see "Hose and Regulator." (page 5)

EXTERIOR FINISH

If white oxidation spots appear, wash the outside of the cookbox with a mild soap and water solution. Rinse the surfaces thoroughly then wipe them with a cloth dipped in cooking oil to restore the luster. For repair of paint scratches and scuffs, use a good quality HIGH temperature (600°F) spray paint for touch-up. Rusting is a natural oxidation process and may appear on cast-iron and steel parts. Rust will not affect short term performance of your smoker.

STAINLESS STEEL

Wash with soap and water. Use stainless steel cleaner to polish and remove stains or marks. Weathering and extreme heat can cause a stainless steel lid to turn a tan color. This is discoloration and is not considered a manufacturing defect.

RESIN COMPONENTS

Wash with soap and water.

REPLACEMENT PARTS

If a problem is found with the regulator, hose, burner, or control valves, do not attempt repair. See your dealer, approved service center, or contact the factory for repairs or replacement parts. To ensure optimum performance, use only original OMC replacement parts.

LEAK TEST

When reconnecting a gas cylinder on propane models, be sure to check for leaks. See "Leak Testing." (page 5)

COOKING GRIDS

To wash cooking grids, use a light detergent and water and then rinse and dry with paper towel; never air dry grids or use a dishwasher. For cast iron grids, thoroughly season (see left: "Cooking Grids") after washing.

Always keep your Broil King® Smoke™ Vertical Propane Smoker covered when not in use - use Broil King® Cover # 67240

TROUBLE SHOOTING

PROBLEM	POSSIBLE CAUSE	CORRECTIVE ACTION
SMELL OF GAS	SHUT OFF LP CYLINDER VALVE IMMEDIATELY DO NOT USE THE APPLIANCE UNTILL LEAK IS SEALED	
Leak detected at cylinder, regulator or other connection.	<ol style="list-style-type: none"> 1. Regulator fitting loose. 2. Gas leak in hose/regulator or control valves. 	<ol style="list-style-type: none"> 1. Tighten fitting and "Leak Test". 2. See authorized service centre.
Flame beneath control panel. (Flashback Fire)	<ol style="list-style-type: none"> 1. Venturi blocked. 	<ol style="list-style-type: none"> 1. Remove burner, clean venturi. See "Venturi Tubes".
Flickering burner flame or Low temperature on HIGH setting	<ol style="list-style-type: none"> 1. Excess flow safety device has been activated in connection between cylinder and barbeque. 	<ol style="list-style-type: none"> 1. Turn LP cylinder valve off then turn all burners to OFF position. Disconnect the regulator from the cylinder. Wait two minutes. Re-attach regulator to the cylinder. Open the cylinder valve slowly. Wait one minute. Light grill as per "lighting" (page 7)
Burner will not light.	<ol style="list-style-type: none"> 1. Out of LP Gas. 2. Ignitor wire(s) not connected. 3. Ignitor electrode misaligned on burner. 4. Ignitor malfunction. 5. Regulator is not fully connected to the cylinder valve. 6. Burner valve left open while cylinder valve was opened causing excess flow device to activate. 7. A leak in the system causing the excess flow device to activate. 8. Venturi blocked. 9. Venturi not aligned with valve orifice. 10. Orifice blocked. 11. Hose is twisted. 	<ol style="list-style-type: none"> 1. Refill LP Gas Cylinder. 2. Connect both main burner and side burner electrode wires. 3. Realign electrode. 4. Use "Manual Lighting" Procedure. 5. Tighten the regulator hand wheel. 6. Close burner and cylinder valves. Open cylinder valve slowly, then open burner valve to light. 7. Leak test connections to determine loose fitting. Tighten fitting. Leak test system. 8. Remove burner, clean venturi. See "Venturi Tubes". 9. Realign venturi to orifice. See "Venturi Tubes". 10. Remove burner, clean orifice with a pin or fine wire. Do not attempt to drill orifice. 11. Straighten hose. Keep away from bottom casting
Ignitor Not Working	<ol style="list-style-type: none"> 1. Ignitor battery is dead 2. Ignitor wire not connected 3. Electrode misaligned on burner 4. Ignitor malfunction 	<ol style="list-style-type: none"> 1. Replace battery 2. Ensure electrode wire is connected 3. Realign electrode and clear any surrounding debris from area 4. Use "match lighting " procedure (page 7)
Decreasing heat, "popping sound".	<ol style="list-style-type: none"> 1. Out of LP Gas. 2. Venturi blocked. 	<ol style="list-style-type: none"> 1. Refill LP Gas Cylinder.
Regulator Humming Noise	<ol style="list-style-type: none"> 1. Cylinder valve opened too quickly 	<ol style="list-style-type: none"> 1. Open cylinder valve slowly
Yellow flame	<ol style="list-style-type: none"> 1. Some yellow flame is normal. If it is excessive, the venture may be blocked 2. Burner ports blocked 	<ol style="list-style-type: none"> 1. Remove burner, clean venturi. See "Venturi Tubes". 2. Remove burner & clean with soft bristle brush.
Inside of lid appears to be peeling	<ol style="list-style-type: none"> 1. This is a buildup of grease. The inside of the lid is not painted. 	<ol style="list-style-type: none"> 1. Clean with stiff bristle brush or scraper.
If troubleshooting fails to solve any of these other issues, please visit www.omcbbq.com for more information including troubleshooting videos, tricks and tips or call customer service at 1-800-265-2150		

WARRANTY

WARRANTY & CUSTOMER SERVICE

The OMC Warranty is effective from date of purchase and is limited to the repair or replacement of parts at no charge which prove to be defective under normal domestic use.

In Canada and the United States replacement is FOB Factory.

In all other countries replacement is FOB OMC Distributor. (Consult your dealer for name of OMC Distributor.)

All other costs are the responsibility of the owner.

This warranty is extended only to the original purchaser as indicated on the warranty registration and applies only to products sold at retail and only when used in country where purchased.

WHAT IS COVERED:

High Heat Coated Cook Box	5 years
Remaining parts & paint	2 years

What is Not Covered:

- Any failures or operating difficulties due to accident, abuse, misuse, alteration, misapplication, vandalism, improper installation or improper maintenance or service, or failure to perform normal and routine maintenance as set out in the owner's manual.
- Deterioration or damage due to severe weather conditions such as hail, hurricanes, earthquakes or tornadoes, discoloration due exposure to chemicals either directly or in the atmosphere.
- Shipping or transportation costs.
- Removal or re-installation costs.
- Labor costs for installation and repair.
- Cost of service calls.
- Liability for indirect or consequential damages.

Replacement Parts:

"Genuine OMC Replacement Parts" must always be used for replacement. Use of any other parts will automatically nullify the above warranty.

Warranty Claims

All warranty is handled directly by OMC. Parts must be returned to OMC Warranty Department, shipping charges prepaid, accompanied by model #, Serial #, and if your grill is not registered, proof of purchase (copy of sales slip or invoice). If inspection confirms the defect, OMC will repair or replace such part in accordance with the terms of the warranty. On receipt of letter or fax (not by phone) OMC may, at its option, not require part or parts to be returned.

Outside North America

The above warranty is administered by the OMC distributor in your country. Contact your dealer for the name of your OMC distributor.

Broil King®

GUIDE DE L'UTILISATEUR

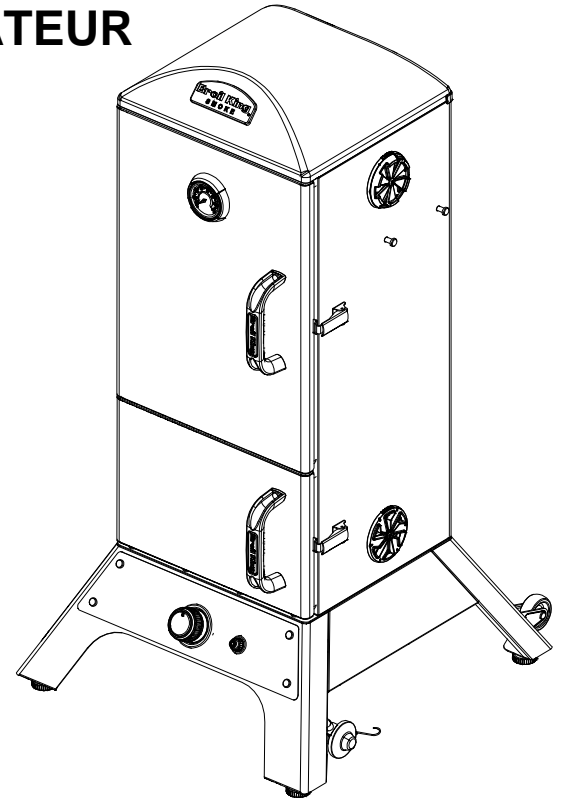
POUR L'USAGE AVEC LE GAZ DE PÉTROLE LIQUÉFIÉ, AU CANADA, PROPANE



ANSI Z21.89 2013 / CSA 1.18-2013

CONTENUS

SÉCURITÉ.....	2
INSTALLATION	3
BOUTEILLE DE GPL	4
BOUTEILLE ÉQUIPÉE D'UN OPD.....	5
TUYAU ET RÉGULATEUR.....	5
ESSAI D'ÉTANCHÉITÉ	6
TUYAUX VENTURI	6
ALLUMAGE	7
UTILISATION	8
TECHNIQUES DE FUMAISON.....	9
ENTRETIEN	10
DÉPANNAGE.....	11
GARANTIE	12



VEUILLEZ INSCRIRE LE NUMÉRO DE MODÈLE, LE NUMÉRO DE SÉRIE ET LA DATE D'ACHAT ICI.

Ces renseignements se trouvent sur une étiquette d'avertissement noire et argent d'OMC à l'arrière ou sur le côté de votre barbecue au gaz.

Numéro de modèle					-				
Numéro de série			-						
Date d'achat	jj		/	mm		/	aaaa		

Ce guide de l'utilisateur contient des renseignements importants nécessaires pour l'assemblage correct et l'utilisation sécuritaire de l'appareil. Lisez et suivez tous les avertissements et directives en assemblant et utilisant l'appareil. Conserver ce guide pour des fins de référence ultérieure.

1-800-265-2150
info@omcbbq.com

Onward
MANUFACTURING COMPANY
SINCE 1906
585 KUMPF DRIVE LIMITED
WATERLOO, ONTARIO, CANADA
N2V 1K3

40094-E40 REV C 07/15

SÉCURITÉ

Votre nouveau fumoir à gaz Broil King est un appareil sécuritaire et commode lorsqu'il est assemblé et utilisé correctement. Comme avec tous les produits alimentés au gaz, certaines précautions devraient être prises. **Le non-respect de ces mises en garde peut mener à des blessures graves ou des dommages.** Si vous avez des questions concernant l'assemblage ou l'utilisation du produit, veuillez consulter votre détaillant, spécialiste des appareils au gaz, fournisseur de services de gaz ou le service à la clientèle direct en composant le 1-800-265-2150. / info@omcbbq.com

DANGER

SI VOUS SENTEZ UNE ODEUR DE GAZ :

- **FERMEZ L'ALIMENTATION EN GAZ À L'APPAREIL.**
- **ÉTEIGNEZ TOUTE FLAMME OUVERTE.**
- **OUVREZ LES PORTES DU FUMOIR.**
- **SI L'ODEUR PERSISTE, TENEZ-VOUS LOIN DE L'APPAREIL ET APPELEZ IMMÉDIATEMENT LE SERVICE D'INCENDIE.**

LE NON-RESPECT DE CES DIRECTIVES POURRAIT ENGENDRER UN INCENDIE OU UNE EXPLOSION POUVANT CAUSER DES DOMMAGES MATÉRIAUX, DES BLESSURES CORPORELLES OU LA MORT.

DANGER

- **NE JAMAIS LAISSER L'APPAREIL FONCTIONNER SANS SURVEILLANCE.**
- **NE JAMAIS UTILISER CET APPAREIL À MOINS DE 10 PI (3 M) DE TOUTE STRUCTURE, MATÉRIEL COMBUSTIBLE OU AUTRE CYLINDRE DE GAZ.**
- **NE JAMAIS UTILISER CET APPAREIL À MOINS DE 25 PI (2,5 M) DE TOUT LIQUIDE INFLAMMABLE.**
- **DANS LE CAS D'UN INCENDIE, TENEZ-VOUS LOIN DE L'APPAREIL ET APPELER LE SERVICE D'INCENDIE. NE PAS TENTER D'ÉTEINDRE UN FEU D'HUILE OU DE GRAISSE AVEC DE L'EAU.**

LE NON-RESPECT DE CES DIRECTIVES POURRAIT ENGENDRER UN INCENDIE OU UNE EXPLOSION POUVANT CAUSER DES DOMMAGES MATÉRIAUX, DES BLESSURES CORPORELLES OU LA MORT.

MISE EN GARDE

- **POUR L'UTILISATION EN EXTÉRIEUR SEULEMENT.**
- **SI L'APPAREIL EST RANGÉ À L'INTÉRIEUR, DÉTACHEZ ET CONSERVEZ LA BOUTEILLE DE GPL À L'EXTÉRIEUR.**
- **CET APPAREIL NE DOIT PAS FONCTIONNER SANS SURVEILLANCE.**
- **VEUILLEZ TENIR LES JEUNES ENFANTS ET LES ANIMAUX LOIN DES SURFACES CHAUFFÉES.**
- **NE PAS DÉPLACER L'APPAREIL LORSQUE CELUI-CI EST EN MARCHÉ.**

Soyez prudent(e) en manipulant ou transportant ce produit. Les bords métalliques peuvent être dangereux. Portez des gants en soulevant ou manipulant le produit. Avant de soulever le produit, veuillez enlever les étagères latérales, les grilles et les plateaux.

MISES EN GARDE ÉLECTRIQUES

1. Si un accessoire nécessitant une source d'alimentation électrique est utilisé avec cet appareil, celui-ci doit être relié à la terre selon les codes locaux. Dans l'absence de codes locaux, les normes suivantes s'appliquent :

(É.-U.) ANSI/NFPA No. 70 - Édition la plus récente

et

(Canada) CSA C22.1 Code canadien de l'électricité

2. Ne pas couper ni retirer la broche de mise à la terre de la fiche.
3. Tenir le fil d'alimentation électrique et le tuyau d'alimentation en carburant loin des surfaces chauffées.

AVERTISSEMENT DE LA PROPOSITION 65

La manipulation du laiton sur ce produit risque de vous exposer au plomb, un produit contenant des agents chimiques connus dans l'État de la Californie pour causer le cancer et des malformations congénitales ou autres dommages au fœtus. **VEUILLEZ LAVER VOS MAINS APRÈS AVOIR MANIPULÉ CE PRODUIT.**

AVERTISSEMENT

Les carburants utilisés dans les appareils alimentés au gaz ou à l'huile, ainsi que les produits de combustion de tels carburants, contiennent des agents chimiques connus dans l'État de la Californie pour causer le cancer et des malformations congénitales ou autres dommages au fœtus. Cet avertissement est émis conformément à la Sec. 25249.6 du Code de la Santé et Sécurité de la Californie.

INSTALLATION

1. Aux É.-U., cet appareil doit être installé conformément au code local et au code local pertinent :

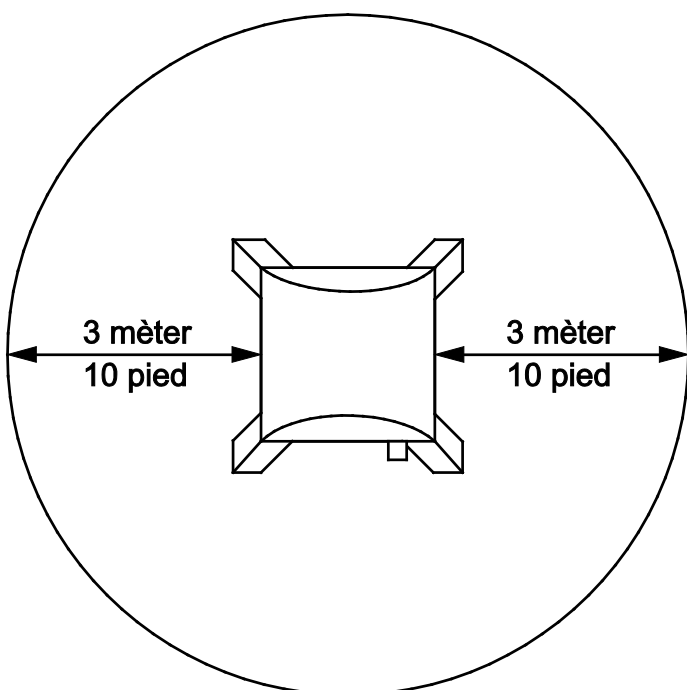
**ANSI Z223.1/NFPA 54, Code de gaz de carburant national
ANSI/NFPA 58, Stockage et manipulation du pétrole liquéfié**

2. Au Canada, cet appareil doit être installé conformément au code local et aux normes CSA pertinentes:

**CSA-B149.1 Code d'installation de gaz naturel
et de propane**

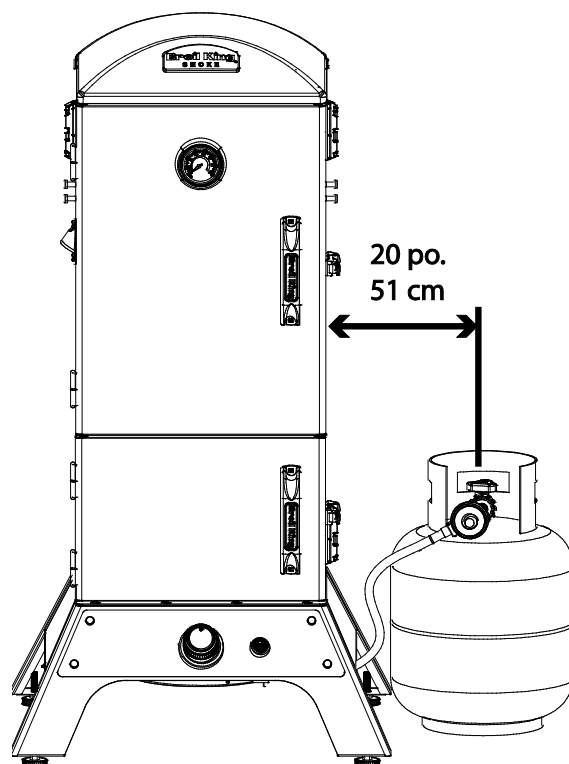
CSA-B149.2 Stockage et manipulation du propane

3. L'appareil doit être tenu loin des surfaces combustibles - au moins 76 cm/30 po de chaque côté, et 76 cm/30 po de l'arrière.



EMPLACEMENT DE LA BOUTEILLE DE GPL

Les directives ci-dessous s'appliquent aux modèles GPL seulement. Les bouteilles de GPL doivent être installées selon ces directives d'assemblage en utilisant la pièce de retenue fournie. Ne pas ranger une bouteille de recharge sous ou près de cet appareil. Toutes les bouteilles utilisées doivent être compatibles avec les dispositifs de retenue fournis.

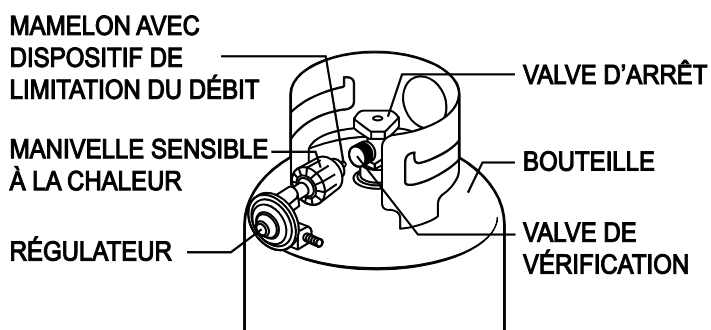


4. Ne pas utiliser cet appareil sous une construction de toiture ou du feuillage.
5. Cet appareil est conçu pour l'UTILISATION EN EXTÉRIEUR SEULEMENT, et NE PAS l'utiliser dans un garage, dans une remise, sur un balcon ou dans un autre espace clos.
6. NE PAS limiter la circulation d'air dans l'appareil.
7. Assurer que la zone entourant l'appareil soit exempte de matériaux combustibles, carburant, et tous liquides/vapeurs inflammables.
8. Cet appareil n'est pas conçu pour l'installation sur ou à l'intérieur des véhicules récréatifs et/ou bateaux.
9. Vous assurer que les orifices de ventilation de l'enceinte de la bouteille soit non obstruée et exempte de débris.
10. Tenir le tuyau d'alimentation en carburant loin des surfaces chauffées)
11. Pas pour un usage commercial

BOUTEILLE DE GPL

ACCOUPEMENT À FERMETURE RAPIDE QCC^{MD}-1

1. Tous les modèles sont conçus pour être utilisés avec une bouteille de GPL équipée du système d'accouplement à fermeture rapide QCC^{MD}-1.
2. Le système QCC^{MD}-1 incorpore de nouvelles fonctions de sécurité requises par l'Institut américain national de la normalisation (ANSI).
 - Le gaz ne circulera pas jusqu'à ce qu'une connexion positive soit réalisée.
 - Un élément thermique éteindra le débit de gaz entre 240° et 300° F.
 - Lorsqu'il est activé, un dispositif de limitation du débit limitera la circulation de gaz à 10 pieds cubes/0,28 mètres cubes l'heure.



3. **La bouteille de GPL n'est pas fournie avec le gril à gaz.** Assurez-vous d'en acheter une avec la valve QCC^{MD}. Cette dernière se caractérise par son filetage externe sur le port d'entrée de la valve. Les bouteilles équipées de la valve QCC^{MD} sont disponibles depuis votre détaillant de grils à gaz.

AVIS : Toute tentative de connecter le régulateur par le moyen d'adaptateurs ou toute autre valve pourrait mener à des dommages, un incendie ou des blessures, et peut nier aux autres fonctions de sécurité importantes du système QCC^{MD}-1.

SPÉCIFICATIONS:

1. Toute bouteille de GPL utilisée avec cet appareil doit être construite et marquée conformément aux *Spécifications des bouteilles de GPL* du Ministère américain des transports (DOT) ou de la Norme nationale du Canada, *normes CAN/CSA-B339 relatives aux cylindres, sphères et tubes pour le transport des matières dangereuses*; et *Commission*, le cas échéant.
2. Toute bouteille de GPL utilisée avec cet appareil doit avoir une capacité maximum de 20 lb (9 kg), une hauteur d'environ 18 po (46 cm), et un diamètre d'environ 12 po (31 cm).
3. Toute bouteille de GPL utilisée avec cet appareil devrait être inspectée à chaque remplissage et requalifié par un service certifié à la date d'expiration (10 ans), conformément aux codes du DOT (É.-U.) et du CTC (Canada) relatives aux bouteilles de GPL.
4. Toute bouteille de GPL utilisée avec cet appareil doit être équipée d'une valve d'arrêt se terminant en sortie de bouteille no 510, tel que spécifié par la Norme sur les entrées et sorties des valves de bouteille de gaz comprimé (É.-U.) ANSI/CGA-V-1-1977 (Canada) CSA B96.

5. Le système d'alimentation de la bouteille doit être configuré pour l'extraction de vapeur.
6. La bouteille doit inclure un collet pour protéger la valve de la bouteille.
7. La bouteille doit être installée selon les directives d'assemblage.
8. Ne jamais remplir la bouteille à plus de 80%. Il peut se produire un incendie pouvant causer des blessures graves, voire la mort.
9. La valve de la bouteille doit inclure un dispositif de surpression de sécurité directement relié à la chambre de vapeur de la bouteille.

MANIPULATION :

1. Des réglementations gouvernementales interdisent l'expédition de bouteilles de GPL pleines. Vous devez apporter votre nouvelle bouteille chez un détaillant de GPL pour le remplissage.
2. Les bouteilles de GPL sont remplies sous une très haute pression. Toujours manipuler avec soin et transporter à l'endroit. Protéger la valve contre les dommages accidentels.
3. Ne pas incliner la bouteille de GPL en la connectant au régulateur. Attacher solidement la bouteille pendant le transport, l'utilisation et le rangement.
4. Si vous inclinez la bouteille après qu'elle est raccordée au régulateur, veuillez éteindre le gaz, déconnecter le régulateur et vérifier la bouteille avant de l'utiliser de nouveau.

RANGEMENT :

1. Ranger la bouteille de GPL à l'extérieur dans un endroit bien ventilé.
2. Ne pas ranger la bouteille de GPL dans la lumière directe du soleil, ou près d'une source de chaleur ou de combustion.
3. Si vous prévoyez ranger le gril en intérieur, déconnecter et enlever premièrement la bouteille de GPL. Les bouteilles déconnectées doivent être équipées d'un bouchon anti-poussière, et ne doivent pas être rangées dans un bâtiment, un garage ou tout autre espace clos.
4. Tenir hors de la portée des enfants.
5. Lorsque la bouteille de GPL est connectée au gril à gaz, le gril à gaz et la bouteille de GPL doivent être rangés en extérieur, dans un endroit bien ventilé.

UTILISATION :

1. Ne jamais connecter votre gril à gaz à une bouteille de GPL sans le régulateur fourni, et **NE JAMAIS RELIER LE GRIL À UNE ALIMENTATION DE GPL NON RÉGLEMENTÉE.**
2. **Toujours** tester la connexion de la bouteille de GPL et du régulateur pour des fuites en connectant la bouteille de GPL à l'appareil. Voir "Essai d'étanchéité".
3. **Ne pas** utiliser l'appareil si vous sentez une odeur de propane. Éteignez la flamme et déterminez la source de GPL avant de procéder. **Ne pas** allumer l'appareil jusqu'à ce que la fuite de GPL soit identifiée et scellée.
4. **Toujours** éteindre la valve de la bouteille de GPL lorsque l'appareil est en marche.

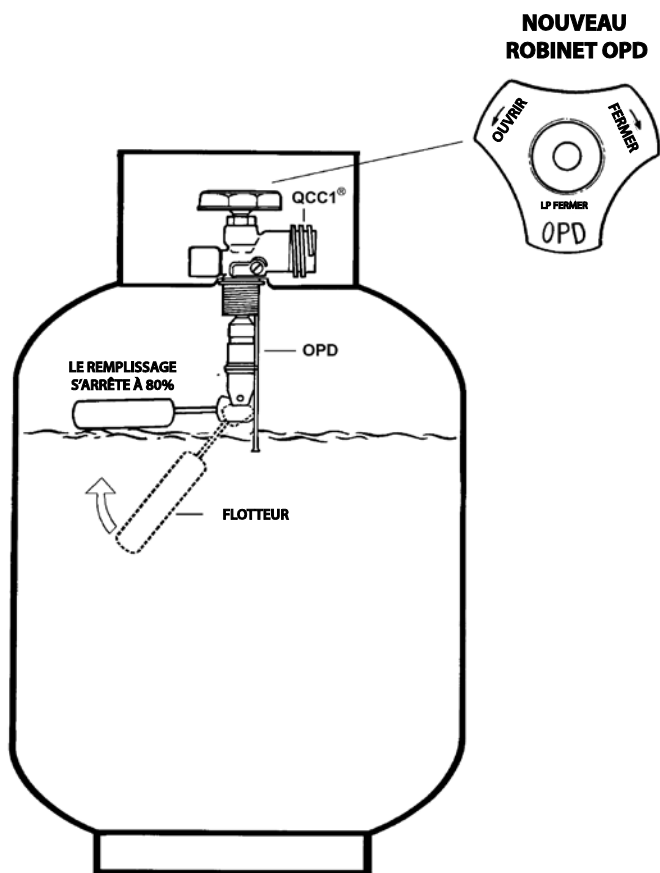
BOUTEILLE ÉQUIPÉE OPD

DISPOSITIF DE PRÉVENTION DES DÉVERSEMENTS

1. La norme sur les appareils à gaz pour usage extérieur, ANSI Z21.58/CAN/CGA-1.6, exige que les appareils utilisés avec les bouteilles équipées d'un dispositif de prévention des déversements (DPD).
2. Le DPD est conçu pour réduire le potentiel de remplissage excessif des bouteilles de propane, réduisant ainsi la possibilité de décharges de valve de surpression de propane brut. **Le DPD permet de purger/remplir** la bouteille plus lentement. Certains consommateurs ont été avisés que ces bouteilles sont « défectueuses ». **Ceci n'est pas un défaut.** Certaines stations de remplissage de bouteilles de propane peuvent ne pas être conscientes de ce dispositif et de son effet sur la purge/le remplissage.
3. Les DPD récemment mis sur le marché sont dotés d'une technologie permettant une sortie de BTU plus élevée, ce qui réduira le temps nécessaire pour purger une bouteille.

IDENTIFICATION

Pour identifier ces bouteilles, la manivelle du DPD a été normalisée à la forme illustrée.



TUYAU ET RÉGULATEUR

TUYAU ET RÉGULATEUR

1. Tous les modèles sont équipés d'un tuyau et régulateur avec accouplement à fermeture rapide QCC^{MD}-1.
2. L'accouplement QCC^{MD}-1 contient un dispositif de limitation du débit magnétique, qui réduira le débit de gaz dans le cas d'une fuite entre le régulateur et la valve de l'appareil. Ce dispositif s'activera si la valve de la bouteille est ouverte lorsque les valves de l'appareil sont ouvertes. **Afin de prévenir l'activation accidentelle, assurez-vous que les valves de l'appareil soient fermées avant d'ouvrir la valve de la bouteille.**
3. L'accouplement QCC^{MD}-1 incorpore une manivelle sensible à la chaleur qui causera la fermeture de la valve QCC^{MD}-1 sous des températures entre 240° et 300°F. Si cela se produit, ne pas tenter de reconnecter la manivelle. Enlevez l'assemblage du tuyau/régulateur et remplacez-le.
4. Le régulateur de pression est réglé à 11 pouces CE (colonne d'eau) et ne fonctionne qu'avec le GPL. Le tuyau et les accouplements de tuyau sont conformes à la norme CGA CAN 1.83. Ne pas tenter de modifier ni substituer ce produit.
5. Protéger le tuyau contre la graisse et **ne pas laisser le tuyau entrer en contact avec une surface chaude, y compris la fonte de base du grill.**
6. Inspecter le joint dans valve QCC^{MD} de la bouteille en remplaçant la bouteille de GPL, ou une fois par année ou selon la première éventualité. Remplacer le joint en cas de craquement, plis ou abrasion.
7. Inspecter le tuyau avant chaque utilisation du grill. Ne **pas** utiliser l'appareil dans le cas où le tuyau est craqué, coupé, abrasé ou endommagé.
8. Pour la réparation ou le remplacement de l'assemblage du tuyau/régulateur, veuillez contacter le service à la clientèle au 1-800-265-2150 ou info@omcbbq.com

CONNEXION

1. Assurez-vous que la valve de la bouteille et les valves de l'appareil soient fermées « OFF ».
2. Placez la pleine bouteille de GPL dans la chambre de bouteille, et sécurisez la base selon directives d'assemblage.
3. Centrez le mamelon dans la valve de la bouteille et le tenir place. Avec l'autre main, tournez la manivelle dans le sens horaire jusqu'à ce qu'elle s'arrête. **Ne pas vous servir d'outils. Serrer à la main seulement. En réalisant la connexion, tenez le régulateur en ligne avec la valve de la bouteille, afin de ne pas croiser la connexion.**
4. Testez les connexions pour l'étanchéité. Voir "Essai d'étanchéité".
5. Consultez les directives d'allumage. **Pour éviter l'activation du dispositif de limitation du débit en allumant l'appareil, veuillez ouvrir la valve de la bouteille lentement avec les valves l'appareil fermées.** Si le dispositif de limitation du débit est accidentellement activé, veuillez éteindre la valve de la bouteille et les valves de l'appareil, patienter 10 secondes pour permettre la réinitialisation du dispositif, ouvrir la valve de la bouteille lentement, et ensuite ouvrir la valve de l'appareil.

DÉCONNEXION

Toujours fermer la valve de GPL et enlever l'écrou d'accouplement avant de déplacer la bouteille de la position de fonctionnement spécifiée.

ESSAI D'ÉTANCHÉITÉ

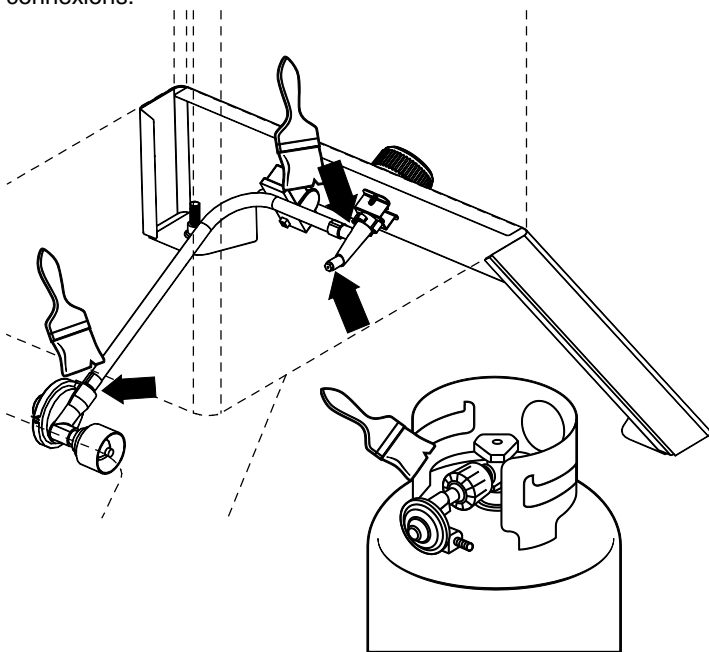
Toutes les connexions réalisées en usine ont été rigoureusement testées pour des fuites de gaz. Cependant, les raccords de gaz peuvent s'avoir desserrés pendant l'expédition.

PRÉCAUTION DE SÉCURITÉ

- Tester tous les raccords pour des fuites avant d'utiliser votre fumoir à gaz.
- Tester la valve de la bouteille pour des fuites chaque fois que vous remplissez la bouteille.
- Tester pour des fuites chaque fois que vous connectez un raccord de gaz.
- Ne pas fumer en effectuant l'essai.
- Ne jamais tester pour des fuites avec une allumette enflammée ou une flamme exposée.
- Tester pour des fuites en extérieur seulement.

POUR TESTER POUR DES FUITES

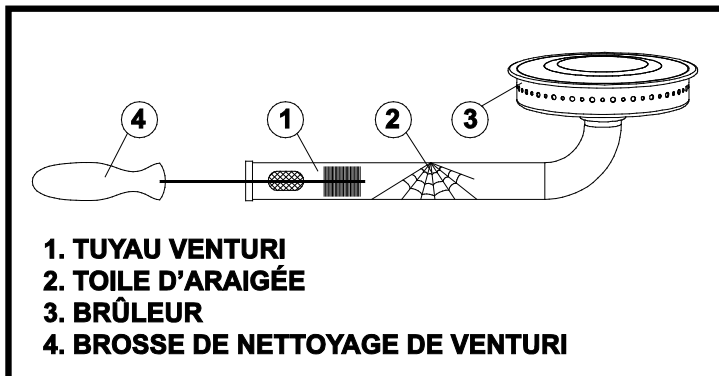
1. Éteindre toute flamme exposée ou cigarettes dans la zone environnante.
2. Vous assurer que la valve de la bouteille et les valves de gaz soient dans la position fermée ARRET.
3. Connecter la bouteille de GPL. Voir Tuyau et Régulateur.
4. Préparer une solution d'eau savonneuse composée d'une moitié d'eau et d'une moitié de détergent liquide.
5. Avec une pleine bouteille de gaz, ouvrir lentement la bouteille.
6. Appliquer une solution d'eau savonneuse sur chacune des connexions.



7. Des bulles indiquent la présence d'une fuite.
8. Si une fuite est détectée, fermez la valve d'arrêt de la bouteille de gaz, serrez la connexion et testez de nouveau.
9. Si la fuite persiste, veuillez contacter votre détaillant de fumoirs à gaz pour de l'aide. Ne pas tenter d'utiliser l'appareil si une fuite est présente.

TUYAUX VENTURI

Assurez-vous que les tuyaux venturi soient toujours propres. Les blocages des tuyaux venturis causés par des araignées, insectes et nids d'animaux peuvent causer une poussée de flamme. En fait, même lorsque l'allumeur s'allume, le gaz peut s'accumuler et causer un feu autour des tuyaux de venturi au panneau de commande.



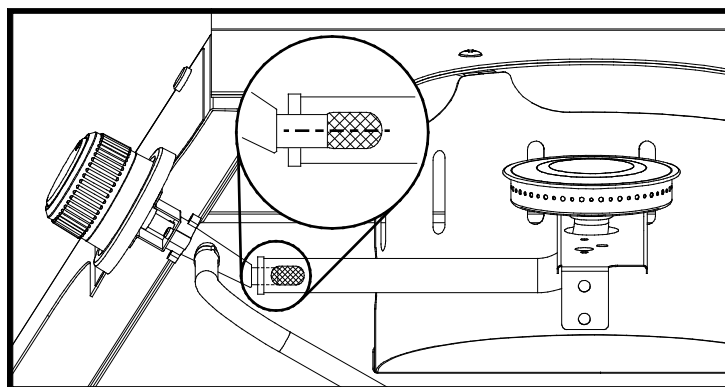
Dans le cas d'une poussée de flammes, éteignez la source d'alimentation en gaz immédiatement

Inspectez et nettoyez les tuyaux venturi (brûleur principal, brûleur latéral, brûleur arrière) si vous observez les problèmes suivants :

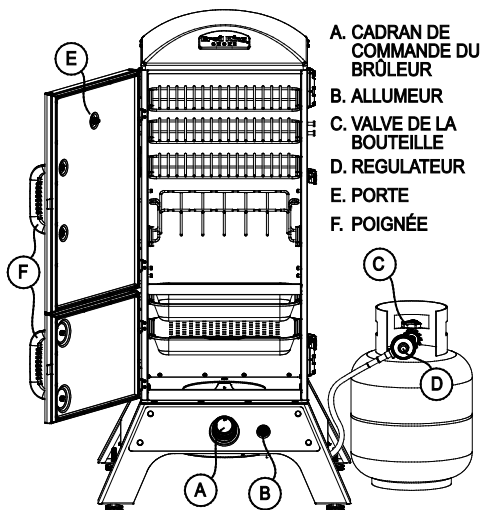
1. Odeur de gaz.
2. Votre fumoir n'atteint pas la bonne température.
3. Votre fumoir à gaz chauffe inégalement.
4. Les brûleurs produisent un bruit d'explosion.

INSPECTION ET NETTOYAGE DES TUYAUX VENTURI

1. Éteignez la source d'alimentation en gaz en fermant la valve de propane de la bouteille.
2. Lorsque le fumoir est froid, enlevez les attaches de brûleur. Sortez le brûleur du boîtier de brûleur.
3. Nettoyez les tuyaux venturi avec une brosse à tuyau ou un outil de nettoyage des tuyaux venturi (accessoire #77310).
4. Insérez le brûleur dans le boîtier du brûleur, en vous assurant que les tuyaux venturi soient correctement alignés et insérés dans les orifices.
5. Sécurisez les brûleurs à l'aide des attaches de brûleur.



ALLUMAGE



DIRECTIVES D'ALLUMAGE

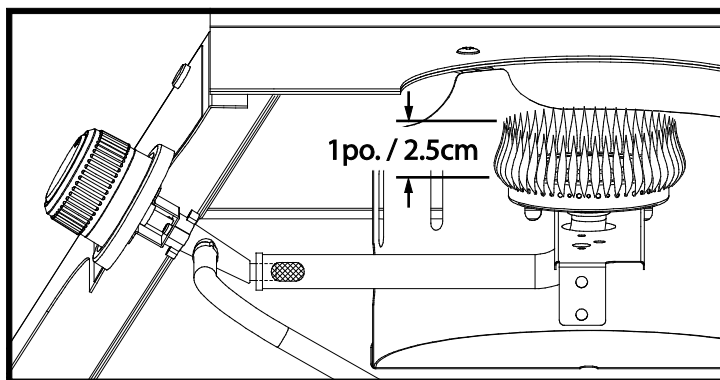
1. L'appareil doit être assemblé selon les directives d'assemblage.
2. Assurez-vous que la bouteille de GPL soit pleine et correctement connectée au régulateur. Voir : Tuyau et Régulateur. (page 17)
3. Assurez-vous qu'il n'y ait aucune fuite de gaz dans le système d'alimentation en gaz. Voir : Essai d'étanchéité. (page 18)
4. Assurez-vous que les tuyaux venturi soient correctement placés au-dessus de l'orifice de la valve de gaz. voir schéma des tuyaux venturi, (page 18)
5. Assurez-vous que le fil d'allumage du brûleur soit connecté.
6. Lisez attentivement toutes les directives sur la plaque signalétique apposée sur le fumoir.
7. AVERTISSEMENT: Toujours ouvrir avant l'allumage et ne pas vous pencher au-dessus du fumoir pendant l'allumage.
8. Réglez le cadran de commande à ARRET et ouvrez l'alimentation en gaz.

ALLUMAGE DU BRÛLEUR

- a. Ouvrez la porte du fumoir et laissez-la ouverte jusqu'à ce que le fumoir soit allumé.
- b. Vérifiez que la batterie soit installée dans le système d'allumage électronique.
- c. Appuyez et tournez l'un des cadrans de commande principaux à la position HUAT
- d. Appuyez et maintenez le bouton d'allumage, ou servez-vous d'une allumette.
- e. Le brûleur devrait s'allumer en 5 secondes; éteignez la source de gaz immédiatement si le fumoir ne s'allume pas dans ce délai. Pour allumer le brûleur à l'aide d'une allumette, veuillez suivre l'étape 14 ci-dessous.
- f. Fixez l'allumette à la chaîne d'allumage et allumez.
- g. Abaissez l'allumette enflammée jusqu'au niveau du brûleur.
- h. Appuyez et tournez le cadran de commande du brûleur principal droit à la position HUAT.
- i. Le brûleur devrait s'allumer en 5 secondes.

MISE EN GARDE

Vérifier votre gril à gaz après l'allumage. Tous les ports de brûleur devraient produire une flamme de 1 po / 2.5cm au réglage HAUT.



Si vous observez tous les problèmes suivants, les tuyaux venturi sont probablement bloqués. Éteignez immédiatement l'alimentation en gaz, et nettoyez les tuyaux venturi. Voir Tuyaux venturi (page 18)

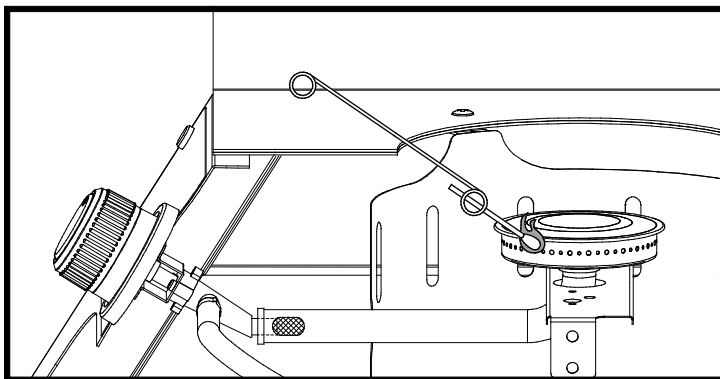
1. Il y a une odeur de gaz.
2. Une poussée de flamme.
3. Votre fumoir chauffe inégalement.
4. Les brûleurs produisent un bruit d'explosion.

SI UN BRÛLEUR NE S'ALLUME PAS:

1. Appuyez et tournez le cadran de commande dans la position ARRET. Patientez 5 minutes et essayez de nouveau avec le cadran de commande réglé à MOYEN
2. Si vous ne réussissez pas à allumer le brûleur, voir Dépannage à la page 22. Si le problème persiste, ne pas tenter d'utiliser l'appareil; veuillez contacter OMC, votre détaillant ou un centre de service approuvé.

ARRÊT

1. Éteignez la valve de la bouteille.
2. Tournez le cadran de commande à la position ARRET



Allumez le brûleur avec une allumette, en utilisant la chaîne d'allumage.

UTILISATION

COMMENCER

Avant de cuire sur votre fumoir à gaz pour la première fois, enlevez les plateaux, le plat de fumoir, et le plateau d'eau; lavez-les complètement dans de l'eau savonneuse chaude. Rincez complètement et séchez avec une serviette douce – ne pas laisser sécher à l'air, et ne jamais mettre au lave-vaisselle.

Brûlage initial - Avant de cuire sur votre fumoir au propane vertical Smoke^{MC} de Broil King^{MD}, vous devez brûler les résidus protectifs accumulés lors du processus de fabrication. Allumez votre fumoir tel qu'indiqué dans la section « 19 Allumer votre fumoir » et laissez le feu brûler pendant au moins 30 minutes. Ceci brûlera les résidus de fabrication et préviendra le durcissement des composants internes du fumoir. Plus vous utilisez votre fumoir, plus l'assaisonnement sera délicieux.

TECHNIQUES DE FUMAGE

Fumage –moins de 275 °F (135 °C)

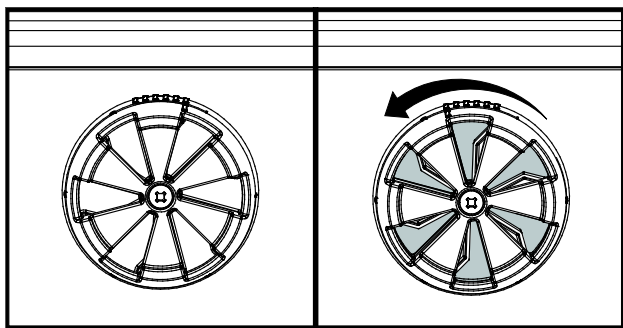
Ce type de grillade implique la cuisson indirecte de grandes coupes de viande à de basses températures (soit moins de 275 °F (135 °C) pour une période de temps relativement longue – souvent 4 heures ou plus). Le copeaux de bois infusent les viandes cuites et les autres aliments cuits lentement d'une saveur de barbecue fumé, et produisent des viandes incroyablement tendres.

Rôtissage à fumée - 275 °F - 400 °F (135 °C - 205 °C)

Aussi connu comme la grillade indirecte, le rôtissage à la fumée nécessite une configuration semblable à celle du fumage; il s'agit d'une version accélérée des mêmes principes. Cette méthode fonctionne très bien pour les rôtis conventionnels, les poulets et les aliments que l'on rôtit fréquemment au four. La combinaison de fumée et de temps de cuisson crée une excellente saveur dans des délais plus courts que le fumage véritable.

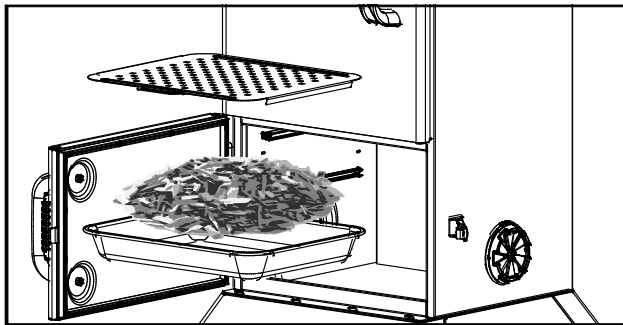
CONTRÔLE DE LA TEMPÉRATURE

Le fumoir au propane vertical Smoke^{MC} de Broil King^{MD} vous permet de contrôler la température de cuisson en ajustant les cadrans de commande et les registres d'évacuation. Porter des gants de cuisine ou des protège-plat pour protéger vos mains lorsque vous cuisez ou ajustez les registres.



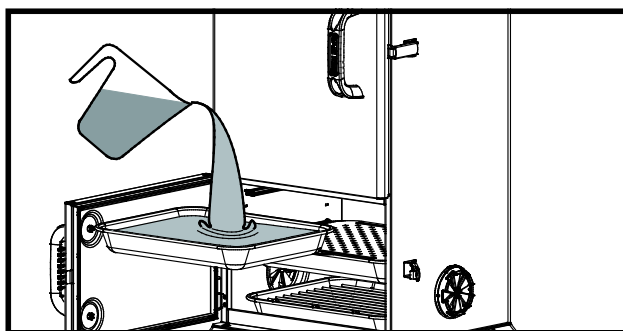
COPEAUX DE BOIS

Pré-trempez les copeaux de bois pour trente minutes avant d'ajouter au fumeur. Ne placez pas les copeaux de bois dans le plateau à graisse. Ajoutez des copeaux de bois une fois que le brûleur principal est allumé, avant de mettre la viande sur le fumoir. La saveur de fumée s'accumule idéalement lorsque les aliments sont froids et humides à l'extérieur. Une fois l'aliment séché, il n'absorbera plus la saveur de fumée. Pour les meilleurs résultats, maintenez une température de 200 °F à 300 °F pour la plupart des viandes fumées. Toujours cuire à la température interne spécifiée pour la viande en question. Cela est la seule manière d'assurer la sécurité des aliments.



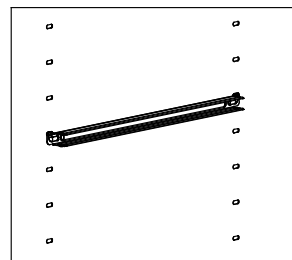
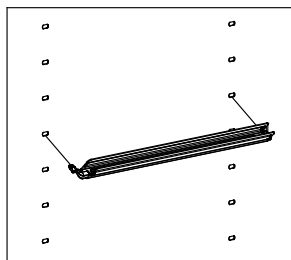
CONTRÔLE DE L'HUMIDITÉ

Plateau d'eau : Votre fumoir vertical au charbon est équipé d'un plateau d'eau pour prévenir l'assèchement des aliments. Servez-vous d'eau, de jus ou d'autres fines herbes pour créer une autre dimension de saveur.



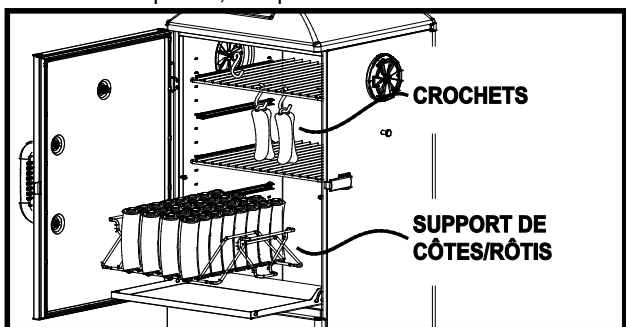
ACCESSOIRES DE CUISSON

Rails ajustables : Les rails qui supportent les grilles de cuisson et les plateaux sont entièrement ajustables, vous permettant d'utiliser votre fumoir à chambre plus efficacement.



Support de côtes levées/rôtis : Votre fumoir comprend un support de côtes levées/rôtis pouvant être utilisé au lieu des grilles de cuisson en acier inoxydable. Maximisez l'espace dans votre fumoir en positionnant les côtes à l'endroit.

Crochets en acier inoxydable : Laissez la grille supérieure en place, et servez-vous des 16 crochets pour suspendre des saucisses, des morceaux de poulet, des poissons entiers et d'autres aliments



RECETTES

APPRÊT BBQ

- 2 c. à table de cassonade
- 1 c. à thé de sel Kasher
- 1 c. à thé de poivre fraîchement moulu
- 1 c. à table de cumin
- 2 c. à thé de moutarde sèche
- 2 c. à thé de paprika
- 2 c. à table de chili en poudre
- 1 c. à thé de sel d'oignon
- 1 c. à thé de sel de céleri
- 1 c. à thé de poudre d'ail
- 1 c. à table d'origan

CÔTES LEVÉES

- Préchauffez le gril à 250 °F (121 °C)
- 4 carrés de côtes de porc
- Pelez la membrane des côtes
- Assaisonnez généreusement avec de l'apprêt BBQ
- Placez le plat d'eau rempli de jus de pomme dans le fumoir
- Ajouter une pleine de pommes ou d'autres copeaux de bois aromatisés au le plateau de fumeur.
- Déposez les côtes levées sur les grilles de cuisson ou sur le support de côtes fourni
- Cuisez pendant 3 – 4 heures
- Ajoutez de la sauce BBQ vous le souhaitez, et cuisez dans votre gril à gaz à 400 °F pendant 10 - 20 minutes.
- Retirez les côtes du fumoir, et laissez-les reposer pendant 10 minutes
- Servez et dégustez

POULET FUMÉ

- Préchauffez le gril à 275 °F (135 °C)
- 1 poulet entier, séparé, ou pièces de poulet – cuisses, ailes, pilons, jusqu'à 5 lb
- Couvrez les pièces de poulet d'un apprêt BBQ tout-usage, et laissez-les reposer pendant 30 minutes
- Placez le plat d'eau dans le fumoir
- Ajouter une pleine de pommes ou d'autres copeaux de bois aromatisés au le plateau de fumeur
- Déposez le poulet sur les grilles de cuisson
- Cuisez pendant 2,5 – 4 heures
- La température interne doit atteindre 165 °F (74 °C)
- Couvrez et laissez reposer pendant 10 minutes
- Servez et dégustez

PORC EFFILOCHÉ

- Préchauffez le gril à 225 °F (107 °C)
- Épaule de porc de 4 – 15 lb (les plus petites coupes sont souvent appelées Palette de boston ou Épaule piquenique)
- Assaisonnez généreusement avec de l'apprêt BBQ
- Placez le plat d'eau rempli de jus de pomme dans le fumoir, et déposez l'épaule de porc au-dessus du plat
- Ajouter une pleine de pommes ou d'autres copeaux de bois aromatisés au le plateau de fumeur
- Déposez l'épaule de porc sur les grilles de cuisson
- Cuisez pendant 4 heures ou plus, ou jusqu'à ce que la viande atteigne une température interne d'au moins 185 °F (85 °C)
- Retirez l'épaule de porc du fumoir, et laissez-la reposer pendant 30 minutes
- Effilochez le porc à l'aide de la spatule Super Flipper de Broil King^{MD} (#64011) ou des griffes à viande de Broil King^{MD} (#64070)
- Appliquez de la sauce si vous le souhaitez
- Servez et dégustez

ENTRETIEN

ENTRETIEN RÉGULIER

Les composants suivants devraient être inspectés et nettoyés (au besoin) avant chaque utilisation de votre fumoir à gaz, afin d'assurer une bonne performance, la sécurité et l'efficacité de votre produit.

GRILLES DE CUISSON

Toutes les grilles de cuisson OMC sont revêtues d'une finition durable afin de protéger les grilles et réduire l'adhésion des aliments. Comme avec toutes les grilles de cuisson OMC, au lieu d'effectuer un brûleur du fumoir après chaque utilisation, nous recommandons que vous laissiez les résidus sur les grilles et effectuez un brûlage (voir ci-dessous) après chaque utilisation; ceci aide à accumuler une couche d'huile protectrice sur les grilles, et vous aidera à prévenir la rouille et la détérioration.

ASSAISONNEMENT DES GRILLES

Les grilles de cuisson devraient être assaisonnées avant chaque utilisation en appliquant ou pulvérisant de l'huile végétale ou d'olive. Assurez-vous que la pleine surface de la grille soit couverte d'une couche d'huile légère. Ceci aide à prévenir la rouille et la détérioration. Si la rouille apparaît, grattez la grille légèrement avec un tampon abrasif et assaisonnez-la complètement. Pendant de longues périodes d'inactivité, les grilles devraient être assaisonnées, essuyées et conservées dans un endroit sec. Avant la première utilisation et après les périodes de rangement, les grilles devraient être nettoyées à l'aide d'une serviette de papier et couvertes d'huile végétale ou d'olive.

PLATEAU D'EAU

Après chaque utilisation, il est nécessaire de vider le plateau d'eau. Attendez que le fumoir soit complètement refroidi. Retirez soigneusement le plateau d'eau et éliminez les liquides de cuisson et les résidus d'aliments. Lavez le plateau d'eau avec de l'eau savonneuse.

CHAMBRE DE FUMAISSON

Après chaque utilisation, il est nécessaire de vider la chambre de fumaison. Attendez que le fumoir soit complètement refroidi. Il est une bonne idée de verser de l'eau sur les copeaux de bois afin d'assurer qu'ils soient complètement éteints. Retirez soigneusement la chambre de fumaison et éliminez les résidus de copeaux de bois. Lavez le plateau avec de l'eau savonneuse.

BRÛLAGE

Premièrement, assurez-vous que le plateau d'eau et la chambre de fumaison soient vides. Allumez les brûleurs selon "Allumage" (page 19). Faites fonctionner le fumoir à gaz au réglage HAUT avec le couvercle fermé pendant 10 min. ou jusqu'à ce qu'il cesse de produire de la fumée. Éteignez la source d'alimentation en gaz et tournez les cadrans de commande à ARRÊT. Lorsque le fumoir est complètement refroidi, nettoyez l'intérieur au besoin en grattant les côtés et le fond de la chambre de cuisson et en aspirant ou balayant les débris.

Toujours couvrir votre fumoir vertical au propane Smoke^{MC} de Broil King^{MD} lorsque vous ne l'utilisez pas – utiliser une housse Broil King^{MD} # 67240.

ENTRETIEN ANNUEL

Les composants suivants devraient être inspectés et nettoyés au moins une fois par année ou après toute période de rangement dépassant 30 jours pour assurer une bonne performance et la sécurité et l'efficacité de l'appareil.

BRÛLEUR

Retirez le brûleur et inspectez-le pour des fissures et la détérioration. Nettoyez les tuyaux venturi à l'aide d'une brosse de tuyau ou de venturi pour éliminer les blocages. Voir Tuyaux venturi (page 18). Alors que le brûleur est retiré, nettoyez l'intérieur de la chambre de cuisson en grattant les côtés et le fond de la chambre de cuisson, et en aspirant le fond du fumoir.

TUYAU

Inspectez et remplacez au besoin. Pour le propane, voir Tuyau et régulateur (page 17)

FINITION EXTÉRIEURE

Si des taches d'oxydation blanches apparaissent, lavez l'extérieur de la chambre de cuisson avec une solution d'eau savonneuse douce. Rincez les surfaces complètement et essuyez-les avec un linge trempé d'huile de cuisson pour restaurer le lustre. Pour réparer les égratignures et les rayures, servez-vous d'une peinture aérosol de bonne qualité et résistante aux températures ÉLEVÉES (600 °F) pour des retouches. La rouille est le résultat du processus d'oxydation naturel et peut apparaître sur les pièces en fonte ou en acier. La rouille n'affectera pas la performance à court terme du fumoir.

ACIER INOXYDABLE

Laver avec de l'eau savonneuse. Utiliser un nettoyant pour acier inoxydable pour polir et enlever les taches ou les marques. Les intempéries et la chaleur extrême peuvent causer la décoloration d'un couvercle en acier inoxydable. Cette décoloration n'est pas considérée être un défaut de fabrication.

COMPOSANTS EN RÉSINE

Laver avec de l'eau savonneuse.

PIÈCES DE REMPLACEMENT

Si vous observez un problème avec le régulateur, le tuyau, le brûleur, ou les valves de commande, ne pas tenter de les réparer. Veuillez consulter votre détaillant ou centre de service approuvé, ou contacter l'usine pour la réparation ou des pièces de remplacement. Pour assurer une performance optimale, n'utilisez que des pièces de remplacement OMC originales.

ESSAI D'ÉTANCHÉITÉ

En reconnectant une bouteille de gaz sur les modèles au propane, assurez-vous de vérifier pour fuites. Voir Essai d'étanchéité (page 18)

GRILLES DE CUISSON

Pour laver les grilles de cuisson, utilisez un détergent doux et de l'eau, rincez, et séchez avec une serviette de papier; ne jamais laisser les grilles sécher à l'air ou les mettre au lave-vaisselle. Dans le cas des grilles en fonte, assaisonnez-les complètement (voir à gauche : Grilles de cuisson après le nettoyage.

Toujours couvrir votre fumoir vertical au propane Smoke^{MC} de Broil King^{MD} lorsque vous ne l'utilisez pas – utiliser une housse Broil King^{MD} # 67240.

DÉPANNAGE

PROBLÈME	CAUSE POSSIBLE	ACTION CORRECTIVE
ODEUR DE GAZ	ÉTEINDRE LA VALVE DE GPL DE LA BOUTEILLE IMMÉDIATEMENT - NE PAS UTILISER L'APPAREIL JUSQU'À CE QUE LA FUITE SOIT RÉPARÉE	
Fuite détectée sur la bouteille, sur le régulateur ou sur une autre connexion.	<ol style="list-style-type: none"> Régulateur desserré. Fuite de gaz dans le tuyau/régulateur ou les valves de commande. 	<ol style="list-style-type: none"> Serrer le raccord et effectuez un essai d'étanchéité. Consulter un centre de service autorisé.
Flamme en-dessous du panneau de commande. (poussée de flammes)	<ol style="list-style-type: none"> Venturi bloqué. 	<ol style="list-style-type: none"> Enlevez le brûleur, nettoyez le venturi. Voir "Tuyaux venturi".
Flamme de brûleur intermittente ou basse température sur le réglage HAUT	<ol style="list-style-type: none"> Le dispositif de surpression a été activé dans le raccord entre la bouteille et le gril.. 	<ol style="list-style-type: none"> Fermez la valve de GPL de la bouteille et mettez tous les cadrans de brûleur en position Arrêt (Off). Déconnectez le régulateur de la bouteille. Patientez deux minutes. Rattachez le régulateur à la bouteille. Ouvrez la valve de la bouteille lentement. Patientez une minute. Allumez le gril selon les directives allumage (page 7)
Le brûleur ne s'allume pas.	<ol style="list-style-type: none"> Manque de GPL. Le fil de l'allumeur(s) n'est pas connecté. L'électrode de l'allumeur est incorrectement alignée dans le brûleur. Mauvais fonctionnement de l'allumeur. Le régulateur n'est pas complètement connecté à la valve de la bouteille. La valve du brûleur a été laissée ouverte en même temps que la valve de la bouteille, ce qui peut engendrer un débit excessif. Une fuite dans le système cause l'activation du dispositif de limitation du débit. Le venturi est bloqué. Venturi pas aligné avec l'orifice de la valve. L'orifice est bloqué. Le tuyau est tordu. 	<ol style="list-style-type: none"> Remplissez la bouteille de GPL. Connectez les fils des électrodes du brûleur principal et des brûleurs latéraux. Réalignez l'électrode. Suivez la procédure « Allumage manuel ». Serrez la manivelle du régulateur. Fermez les valves de brûleur et de la bouteille. Ouvrez la valve de la bouteille lentement, et ensuite la valve du brûleur pour l'allumer. Testez l'étanchéité des connexions pour identifier des raccords desserrés. Serrez les raccords. Testez l'étanchéité du système. Enlevez le brûleur et nettoyez le venturi. Voir « Tuyaux venturi ». Réalignez le venturi et l'orifice. Voir « Tuyaux venturi ». Enlevez le brûleur et nettoyez l'orifice avec une aiguille ou un fil mince. Ne pas tenter de percer l'orifice. Redressez le tuyau. Tenir loin de la fonte inférieure.
L'allumeur ne fonctionne pas	<ol style="list-style-type: none"> La batterie de l'allumeur est épuisée Le fil de l'allumeur n'est pas connecté L'électrode est incorrectement alignée dans le brûleur Mauvais fonctionnement de l'allumeur 	<ol style="list-style-type: none"> Remplacez la batterie Assurez-vous que le fil de l'électrode soit connecté Réalignez l'électrode et nettoyez tous les débris environnants Suivez la procédure « Allumage avec allumette » (page 7)
Réduction de la chaleur, bruit d'explosion	<ol style="list-style-type: none"> Manque de GPL. Venturi bloqué. 	<ol style="list-style-type: none"> Remplissez la bouteille de GPL.
Bourdonnement du régulateur	<ol style="list-style-type: none"> Valve de la bouteille ouverte trop rapidement 	<ol style="list-style-type: none"> Ouvrir la valve de la bouteille lentement
Flamme jaune	<ol style="list-style-type: none"> Il est normal que la flamme soit légèrement jaune. Si la flamme est excessivement jaune, il se peut que le venturi soit bloqué Les ports du brûleur sont bloqués 	<ol style="list-style-type: none"> Enlevez le brûleur et nettoyez le venturi. Voir Tuyaux venturi. Enlevez le brûleur et nettoyez-le avec une brosse à poils doux.
Écaillage à l'intérieur du couvercle	<ol style="list-style-type: none"> Ceci est le résultat d'une accumulation de graisse. La surface intérieure du couvercle n'est pas peinte 	<ol style="list-style-type: none"> Nettoyez avec une brosse à poils rigides ou un grattoir.
<p>Si vous ne réussissez pas à résoudre le problème en suivant ce guide de dépannage, veuillez visiter www.omcbbq.com pour des renseignements additionnels, y compris des vidéos de dépannage et des conseils, ou contactez le service à la clientèle en composant le 1-800-265-2150</p>		

GARANTIE

GARANTIE ET SERVICE À LA CLIENTÈLE

La garantie d'OMC entre en vigueur à compter de la date d'achat, et se limite à la réparation ou au remplacement gratuit(e) des pièces qui s'avèrent être défectueuses sous des conditions d'utilisation domestique normales.

Au Canada et aux États-Unis, les pièces de remplacement sont expédiées FOB usine. Dans tous les autres pays, elles sont expédiées FOB le Distributeur OMC (veuillez consulter votre concessionnaire pour le nom du distributeur OMC).

Tous les autres coûts sont la responsabilité du propriétaire.

Cette garantie n'est accordée qu'à l'acheteur original indiqué sur le formulaire d'enregistrement de la garantie, et ne s'applique qu'aux produits vendus au détail et utilisés dans le pays d'achat. (Les différents types d'alimentation en gaz nécessitent de différents régulateurs, valves et orifices).

CE QUI EST COUVERT PAR LA GARANTIE:

Chambre de cuisson avec revêtement résistant à la chaleur	5 ans
Autres pièces et peinture	2 ans

CE QUI N'EST PAS COUVERT PAR LA GARANTIE:

- Toutes défaillances ou difficultés au niveau du fonctionnement causées par un accident, l'abus, une mauvaise utilisation, une modification, une mauvaise application, le vandalisme, une mauvaise installation, l'entretien/le service incorrect, ou un manquement à fournir l'entretien régulier, y compris sans limitations les dommages causés par les insectes dans les brûleurs, tel qu'indiqué dans le guide de l'utilisateur.
- La détérioration ou les dommages causés par les intempéries telles que la grêle, les ouragans, les tremblements de terre ou les tornades, la décoloration suite à l'exposition directe ou indirecte aux produits chimiques.
- Coûts d'expédition ou de transport.
- Coûts d'enlèvement ou de réinstallation.
- Coûts de main d'œuvre pour l'installation et les réparations.
- Coûts des appels de service.
- Responsabilité pour les dommages indirects ou consécutifs.

PIÈCES DE REMPLACEMENT

Les « pièces de remplacement OMC véritables » doivent toujours être utilisées en cas de remplacement. L'installation de différentes pièces annulera automatiquement la garantie ci-dessus.

RÉCLAMATIONS DE GARANTIE

Toutes les réclamations de garantie sont traitées directement par OMC. Les pièces doivent être renvoyées au Service de la garantie d'OMC, les frais d'expédition prépayés, accompagnées du n° de modèle et de série, et si votre gril n'est pas enregistré, de la preuve d'achat (copie du reçu de vente ou de la facture). Dans le cas où l'inspection confirme une défaillance, OMC réparera ou remplacera la pièce en question selon les provisions de la garantie. Sur la réception d'une lettre ou d'une télécopie (non par téléphone) et à sa propre discrétion, OMC peut choisir de ne pas exiger le renvoi des pièces.

À L'EXTÉRIEUR DE L'AMÉRIQUE DU NORD

La garantie ci-dessus est administrée par le distributeur OMC dans votre pays. Veuillez contacter le détaillant pour savoir le nom de votre distributeur OMC.

Broil King®

MANUAL DEL USUARIO

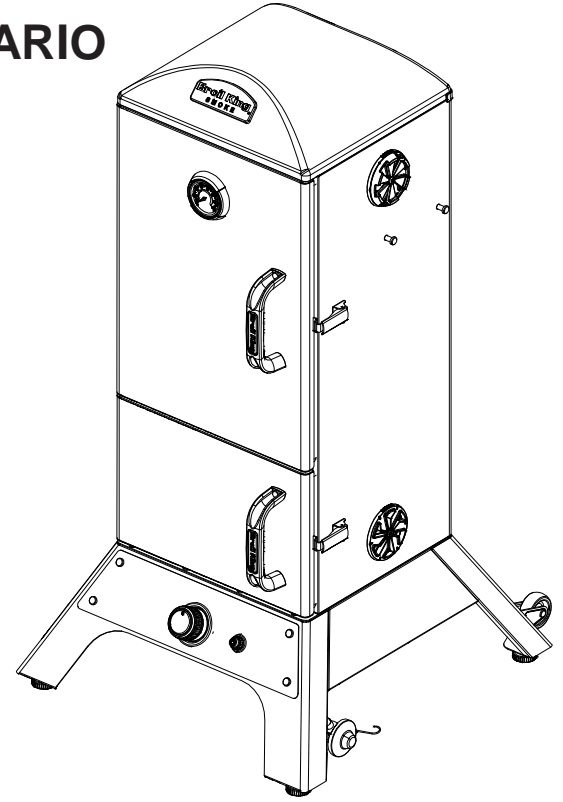
PARA USAR CON GAS L.P. (PROPANO LICUADO).
EN CANADÁ, GAS PROPANO



ANSI Z21.89 2013 / CSA 1.18-2013

CONTENIDO

SEGURIDAD	2
INSTALACIÓN	3
CILINDRO DE GAS L.P.....	4
CILINDRO CON OPD	5
MANGUERA Y REGULADOR.....	5
PRUEBA DE FUGAS	6
TUBOS VENTURI	6
ENCENDIDO	7
OPERACIÓN	8
TÉCNICAS DE AHUMADO	9
MAINTENIMIENTO	10
DIAGNÓSTICO DE PROBLEMAS	11
GARANTÍA.....	12



INTRODUZCA AQUÍ SU NÚMERO DE MODELO, NÚMERO DE SERIE Y FECHA DE COMPRA.

Esta información puede encontrarse en la etiqueta de advertencia negra y plateada de OMC que se encuentra en la parte posterior o lateral de su parrilla a gas.

Número de modelo					-			
Número de serie					-			
Fecha de Compra		/		/				
	dd		mm				yyyy	

Este manual de instrucciones contiene información importante y necesaria para el armado correcto y el uso seguro de este artefacto. Lea y siga todas las advertencias e instrucciones antes de armar y usar este artefacto. Siga todas las advertencias e instrucciones al usar este artefacto. Guarde este manual para futura referencia.

1-800-265-2150
info@omcbbq.com



40094-E40 REV C 07/15

SEGURIDAD

Su nuevo ahumador a gas Broil King es un artefacto seguro y práctico si se arma y se usa correctamente. Sin embargo, como sucede con todo artefacto que funciona con gas, es necesario respetar ciertas medidas de seguridad al utilizarlo. **No seguir estas medidas de seguridad podría causar heridas o daños graves.** Si tiene alguna pregunta sobre el montaje o la utilización, consulte a su distribuidor, a un especialista en artefactos a gas, a la compañía de gas o llame a nuestro servicio de atención al cliente al 1-800-265-2150. / info@omcbbq.com

PELIGRO

SI SIENTE OLOR A GAS:

- **CORTE EL SUMINISTRO DE GAS DEL ARTEFACTO.**
 - **APAGUE TODAS LAS LLAMAS EXPUESTAS.**
 - **ABRA LA TAPA DEL AHUMADOR.**
 - **SI EL OLOR PERSISTE, MANTÉNGASE A DISTANCIA DEL ARTEFACTO Y LLAME INMEDIATAMENTE A LOS BOMBEROS.**
- EL NO SEGUIR ESTAS INSTRUCCIONES PUEDE CAUSAR UNA EXPLOSIÓN O INCENDIO QUE PODRÍA CAUSAR DAÑOS MATERIALES, HERIDAS GRAVES O LA MUERTE.**

PELIGRO

- **NUNCA DEJE ESTE ARTEFACTO DESATENDIDO MIENTRAS LOS USA.**
 - **NUNCA USE ESTE ARTEFACTO A MENOS DE 10 PIES (3 M) DE CUALQUIER ESTRUCTURA, MATERIAL COMBUSTIBLE Y OTRO CILINDRO DE GAS.**
 - **NUNCA USE ESTE ARTEFACTO A MENOS DE 25 PIES (7,5 M) DE CUALQUIER LÍQUIDO INFLAMABLE.**
 - **SI SE PRODUCE UN INCENDIO, MANTÉNGASE A DISTANCIA DEL ARTEFACTO Y LLAME INMEDIATAMENTE A LOS BOMBEROS. NO INTENTE APAGAR ACEITE O GRASA EN LLAMAS CON AGUA.**
- EL NO SEGUIR ESTAS INSTRUCCIONES PUEDE CAUSAR UNA EXPLOSIÓN, INCENDIO O RIESGO DE QUEMADURAS QUE PODRÍA CAUSAR DAÑOS MATERIALES, HERIDAS GRAVES O LA MUERTE.**

CUIDADO

- **SÓLO PARA USO EN EXTERIORES.**
- **SI LO GUARDA EN UN INTERIOR, DESCONECTE Y DEJE EL CILINDRO LP EN EL EXTERIOR.**
- **ESTE ARTEFACTO NO PUEDE DEJARSE FUNCIONANDO SIN ATENDERLO.**
- **DEBE PONERSE ESPECIAL CUIDADO EN MANTENER A LOS NIÑOS PEQUEÑOS Y A LAS MASCOTAS ALEJADOS DE LAS SUPERFICIES CALIENTES.**
- **NO MUEVA EL ARTEFACTO CUANDO ESTÉ EN USO.**

Tenga cuidado al manejar o transportar este producto. Los bordes de metal pueden ser peligrosos. Utilice los guantes adecuados para levantar o manipular el artefacto. Antes de levantarlo, retire los estantes, rejillas y parrillas.

ELECTRICAL CAUTION

1. Si en combinación con este artefacto utiliza cualquier accesorio que necesite una fuente externa de alimentación de corriente, deberá instalar dicho accesorio con una toma eléctrica a tierra, de acuerdo con los códigos locales. Si no hubiese códigos locales, guíese por las siguientes normas:

(U.S.A.) ANSI/NFPA No. 70- Última edición

y

(Canada) CSA C22.1 Código eléctrico de Canadá

2. No corte ni desconecte la toma a tierra del enchufe.
3. Mantenga el cable de alimentación y la manguera del combustible alejados de toda superficie caliente.

ADVERTENCIA SEGÚN LA LEY 65

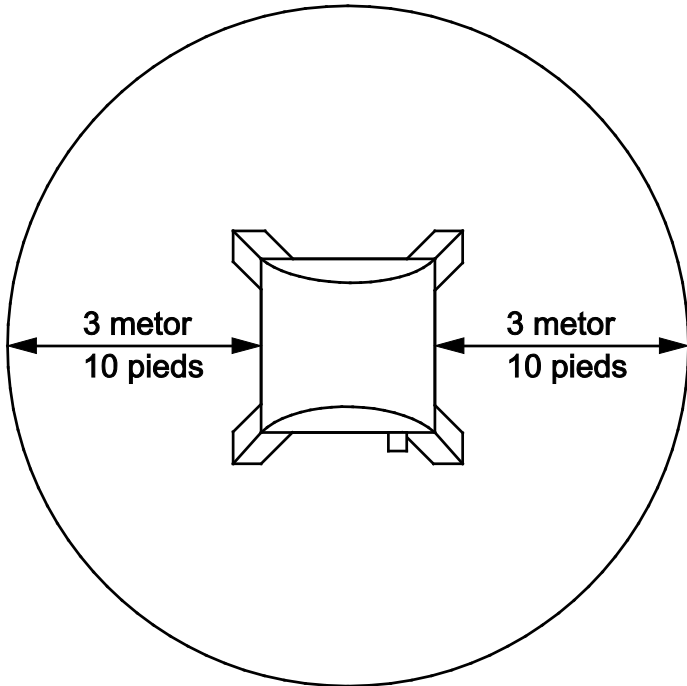
Al manipular el bronce que contiene este producto, usted se está exponiendo al plomo, un producto químico que de acuerdo con el Estado de California produce cáncer, defectos de nacimiento y otros daños reproductivos. **LÁVESE LAS MANOS LUEGO DE MANIPULAR ESTE PRODUCTO.**

ADVERTENCIA

El combustible utilizado en artefactos que queman gas o aceite y los productos de dicha combustión contienen productos químicos que de acuerdo con el Estado de California producen cáncer, defectos de nacimiento y otros daños reproductivos. "Esta advertencia se emite de acuerdo con lo establecido por el Código Sanitario y de Seguridad de California, Sección 25249,6

INSTALACIÓN

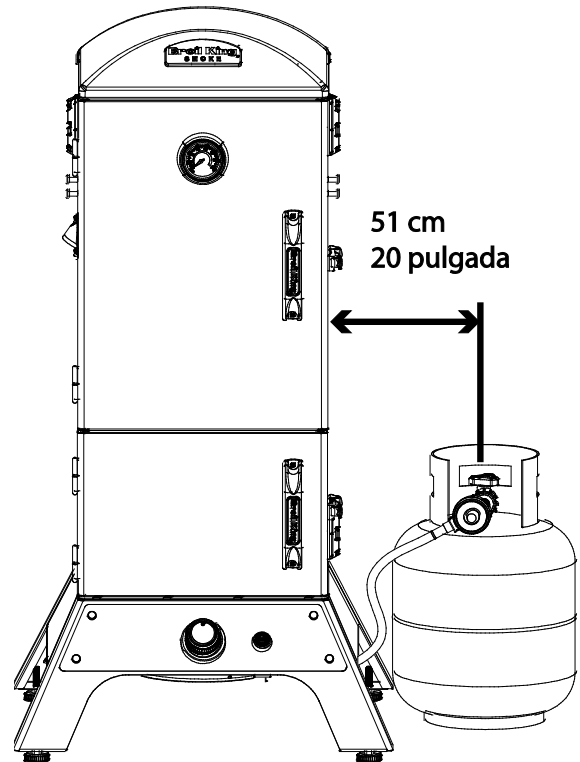
1. En EE.UU., este artefacto debe instalarse de acuerdo con los códigos locales y con los códigos nacionales pertinentes:
ANSI Z223.1/NFPA 54, Código nacional del gas combustible NFPA 58, Normas para el almacenamiento y manejo de gases licuados de petróleo
2. En Canadá, este artefacto debe instalarse de acuerdo con los códigos locales y con las normas CSA pertinentes:
CSA-B149.1 Código de instalación de gas natural y propano CSA-B149.2 Almacenamiento y manejo de propano
3. El artefacto debe ubicarse lejos de superficies combustibles, alejado de estas como mínimo 76 cm / 30 pulgadas por cada lado, y 76 cm / 30 pulgadas de la parte posterior.



4. No utilice este artefacto dentro de ninguna construcción techada ni debajo de follaje.
5. Este artefacto es para USO EXCLUSIVO EN EXTERIORES, NO lo utilice en garajes, galpones, balcones ni en ningún otro tipo de área cerrada.
6. NO limite el flujo de aire que circula alrededor del artefacto.
7. Mantenga el área que rodea al artefacto libre de materiales combustibles, gasolina, y de cualquier otro líquido o vapor inflamable.
8. Este artefacto no está diseñado para ser instalado en vehículos recreativos ni en embarcaciones.
9. Mantenga la(s) entrada(s) de ventilación del alojamiento del cilindro despejadas y libres de desechos.
10. Mantenga la manguera del combustible alejada de toda superficie caliente.
11. No destinados a uso comercial

COLOCACIÓN DEL CILINDRO DE GAS LP

Las instrucciones que aparecen a continuación son únicamente para modelos LP. Los cilindros de gas LP deben instalarse de acuerdo con las instrucciones de montaje utilizando el retén suministrado. No almacene los cilindros de repuesto debajo ni cerca de este artefacto. Todos los cilindros utilizados deben ser compatibles con los medios de retención suministrados para el cilindro.



LP GAS CYLINDER

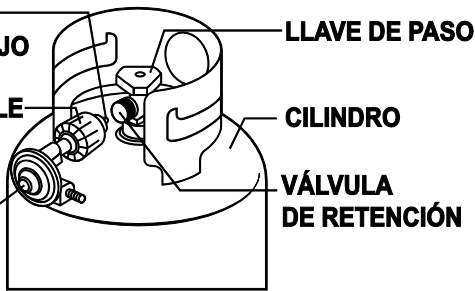
QCC®-1 ACOUPLE DE CIERRE RÁPIDO

1. Todos los modelos están diseñados para utilizarse con cilindros de gas LP equipados con el sistema de Acoplamiento de cierre rápido QCC®-1.
2. El sistema QCC®-1 incorpora las características de seguridad que exige el Instituto Nacional de Normalización de Estados Unidos (ANSI, por sus siglas en inglés) y el Comité Regulador de Normas de Canadá.
 - El gas no circulará hasta que la conexión establecida no sea correcta.
 - Un elemento térmico suspenderá el flujo de gas entre 240 y 300 °F.
 - Siempre que esté activado, un Dispositivo limitador de flujo limitará el flujo de gas a 10 pies cúbicos/hora.

BOQUILLA CON DISPOSITIVO LIMITADOR DE FLUJO

MANIVELA SENSIBLE AL CALOR

REGULADOR



3. **El cilindro de gas LP no viene incluido con la Parrilla a gas.** Asegúrese de comprar uno con la válvula QCC®. Puede reconocer la válvula verificando las roscas externas en el puerto de entrada de la válvula. Puede adquirir los cilindros equipados con QCC® a través de su proveedor de la parrilla a gas.

NOTA: Cualquier intento de conectar el regulador, utilizando adaptadores o cualquier otro medio, a otra válvula podría causar daños, incendios, o heridas y podría inutilizar las importantes características de seguridad incluidas en el sistema QCC®-1.

ESPECIFICACIÓN:

1. Todos los cilindros de gas LP que se utilizan con este artefacto deben estar contruidos e identificados de acuerdo con las *Especificaciones para cilindros de gas LP* del Departamento de Transportación (DOT, por sus siglas en inglés), o la Norma Nacional de Canadá, *CAN/CSA-B339, Cilindros, esferas y tubos para transportación de productos peligrosos; y la Comisión*, según corresponda.
2. El cilindro de gas LP que se utiliza con este artefacto no debe sobrepasar las 20 libras (9 kg) de capacidad. Aproximadamente 18 pulgadas (46 cm) de alto y 12 pulgadas (31 cm) de diámetro.
3. Todos los cilindros de gas LP que se utilizan con este artefacto deben revisarse cada vez que se llenen y deben ser revaluados en un punto de suministro autorizado una vez cumplida su fecha de vencimiento (10 años), según lo dispuesto por los códigos del DOT (EE.UU.) y por la CTC (Canadá) para cilindros de gas LP.
4. Todos los cilindros que se utilicen con este artefacto deben suministrarse con una válvula de cierre terminada en una salida de válvula No. 510, según las especificaciones de las Normas de conexión de entrada y salida para válvulas de cilindros de gas comprimido ANSI/CGA-V-1-1977 (EE.UU.) y CSA B96 (Canadá).
5. El sistema de suministro del cilindro debe estar acondicionado para recuperación de vapor.
6. El cilindro debe incluir un collar para proteger la válvula del cilindro.

7. El cilindro debe instalarse de acuerdo con las instrucciones de montaje.
8. Nunca llene el cilindro más allá del 80% de su capacidad. Podría producirse un incendio que podría provocar muertes o heridas graves.
9. La válvula del cilindro debe incluir un dispositivo de alivio de seguridad directamente conectado al espacio de los vapores del cilindro.

MANEJO:

1. Las reglamentaciones gubernamentales prohíben el envío de cilindros de gas LP llenos. Usted debe llevar su cilindro nuevo a un vendedor de gas LP para llenarlo.
2. Los cilindros de gas LP llenos están bajo una presión muy alta. Manéjelos siempre con cuidado y transpórtelos en posición **vertical**. Proteja la válvula contra accidentes que puedan dañarla.
3. No incline el cilindro de gas LP mientras lo conecta al regulador. Asegure firmemente el cilindro para su transportación, utilización y almacenamiento.
4. Si se inclina el cilindro después de conectarlo al regulador, suspenda el suministro de gas, desconecte el regulador y sométalo a revisión antes de volver a utilizarlo.

ALMACENAMIENTO:

1. Almacene el cilindro de gas LP en un exterior en un lugar bien ventilado.
2. No almacene el cilindro de gas LP directamente al sol, ni cerca de una fuente de calor o combustión.
3. Si desea almacenar la parrilla bajo techo, desconecte y retire primero el cilindro de gas LP. Los cilindros desconectados deben estar cubiertos con una tapa que los proteja del polvo y no se deben almacenar en edificios, garajes ni en ningún otro lugar cerrado.
4. Manténgalo fuera del alcance de los niños.
5. Cuando el cilindro de gas LP esté conectado a la parrilla, tanto la parrilla como el cilindro de gas deben almacenarse en un exterior en un lugar bien ventilado

OPERACIÓN:

1. Nunca conecte su parrilla a gas a un cilindro de gas LP sin el regulador suministrado con el artefacto, y **NUNCA LA CONECTE A UNA FUENTE DE GAS SIN REGULADOR**. Debe emplearse el regulador suministrado con el artefacto.
2. **Siempre** compruebe que no haya fugas en la conexión entre el cilindro de gas LP y el regulador cuando conecte el cilindro de gas LP al artefacto. Ver "Prueba de fugas".
3. **No** utilice el artefacto si hay olor a gas LP. Apague todas las llamas y determine la fuente de la que proviene el gas LP antes de continuar. **No** encienda el artefacto hasta que haya detectado y sellado la fuga de gas LP.
4. **Siempre** cierre la válvula del cilindro de gas LP cuando no esté usando el artefacto.

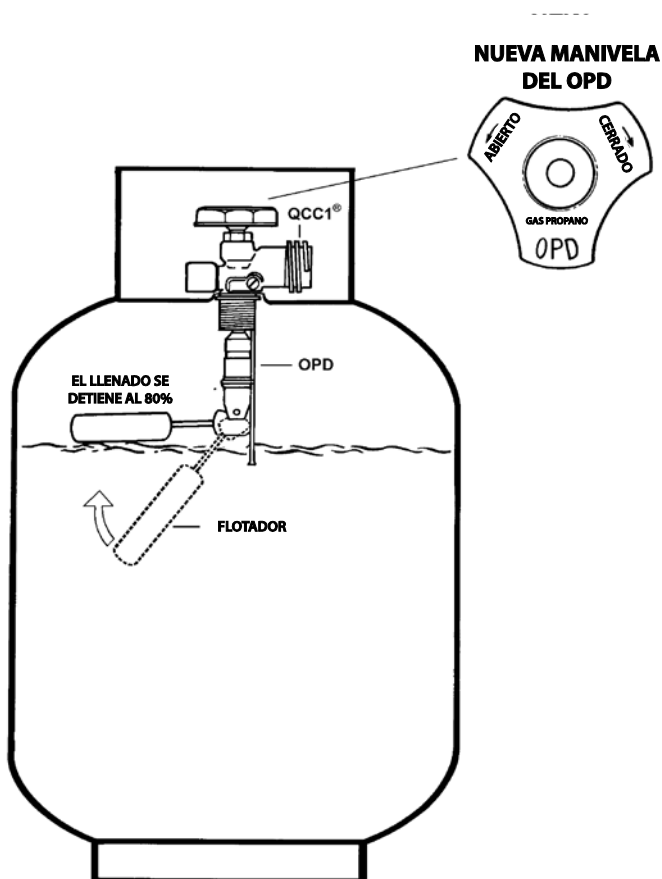
CILINDRO CON OPD

DISPOSITIVO DE PREVENCIÓN CONTRA LLENADO EXCESIVO

1. La norma para artefactos a gas para exteriores, ANSI Z21.58/CAN/CGA-1.6, exige que los artefactos sean usados con cilindros equipados con un Dispositivo de prevención contra llenado excesivo (OPD, por sus siglas en inglés).
2. El OPD está diseñado para reducir el potencial de llenado excesivo de los cilindros de propano, con lo cual se reduce la posibilidad de que la válvula de alivio despidan propano crudo. **El OPD permite purgar/llenar el cilindro más lentamente.** Algunas estaciones de suministro les han informado a los consumidores que estos cilindros están "defectuosos". **No se trata de un defecto.** Puede que algunas estaciones de suministro de propano no estén al tanto de este dispositivo y de su efecto en el proceso de purgado/llenado.
3. Los nuevos OPD que están saliendo al mercado tienen una tecnología que permite salidas de BTU mucho mayores, lo cual reduce el tiempo que demora purgar un cilindro.

IDENTIFICACIÓN

Para identificar estos cilindros, se ha estandarizado la manivela del OPD con la forma que se muestra.



MANGUERA Y REGULADOR

1. Todos los modelos están equipados con una manguera y un regulador con un Acoplamiento de cierre rápido QCC®-1.
2. El acoplamiento QCC® contiene un Dispositivo limitador de flujo que limitará el flujo de gas si se presentara una fuga entre el regulador y la válvula del artefacto. Este dispositivo se activará si se abre la válvula del cilindro mientras están abiertas las válvulas del artefacto. **Asegúrese de que las válvulas del artefacto estén cerradas antes de abrir la válvula del cilindro para evitar que se active por accidente.**
3. El acoplamiento QCC® incorpora una manivela sensible al calor que hará que se cierre el módulo trasero de control de la válvula del cilindro QCC® cuando se exponga a temperaturas entre los 240 y 300 °F. Cuando ocurra esto, no intente volver a conectar la manivela. Saque el conjunto de la manguera/regulador y reemplácelo por uno nuevo.
4. El regulador de presión está calibrado para 11 pulgadas de columna de agua y únicamente debe utilizarse con gas LP. Los acoples entre manguera y manguera cumplen con la Norma CGA CAN 1.83. No se debe realizar ninguna modificación ni sustitución.
5. Proteja la manguera contra el goteo de grasa y **no permita que haga contacto con ninguna superficie caliente, incluyendo la base fundida de la parrilla.**
6. Inspeccione el sello de la válvula del cilindro QCC® cuando reemplace el cilindro de gas LP o una vez al año, lo que ocurra con más frecuencia. Reemplace el sello si hay algún indicio de rajaduras, marcas o abrasión.
7. Inspeccione la manguera cada vez que vaya a utilizar la parrilla. Si la manguera está partida, cortada, desgastada o dañada de cualquier otro modo, **no** debe utilizar el artefacto.
8. Para reparaciones o reemplazos del conjunto manguera/regulador, póngase en contacto con nuestro servicio de atención al cliente en el 1-800-265-2150 o visite el sitio de Internet info@omcbbq.com

CONEXIÓN

1. Asegúrese de que la válvula del cilindro y las válvulas del artefacto estén cerradas.
2. Coloque correctamente el cilindro de gas LP lleno en el tanque LP y asegure la base de acuerdo con las instrucciones de montaje.
3. Centre el pasador de la válvula del cilindro y sujételo en su lugar. Con la otra mano, haga girar la manivela en sentido horario hasta que no pueda seguir girándola. **No utilice herramientas. Ajústela con la mano únicamente. Cuando establezca la conexión, sostenga el regulador en línea recta con la válvula del cilindro, para que no se crucen las roscas de la conexión.**
4. Compruebe que no haya fugas en las conexiones. Ver "Prueba de fugas".
5. Consulte las instrucciones de encendido. **Para evitar que se active el Dispositivo limitador de flujo cuando encienda el artefacto, abra lentamente la válvula del cilindro con las válvulas del artefacto cerradas.** Si el Dispositivo limitador de flujo se activa por accidente, cierre la válvula del cilindro y las válvulas del artefacto, espere 10 segundos para permitir que el dispositivo se reajuste, abra lentamente la válvula del cilindro, y luego abra la válvula del artefacto.

DESCONEXIÓN

1. Siempre cierre la válvula del cilindro LP y retire la tuerca de acople antes de mover el cilindro de la posición de funcionamiento especificada.

PRUEBA DE FUGAS

PRUEBA DE FUGAS

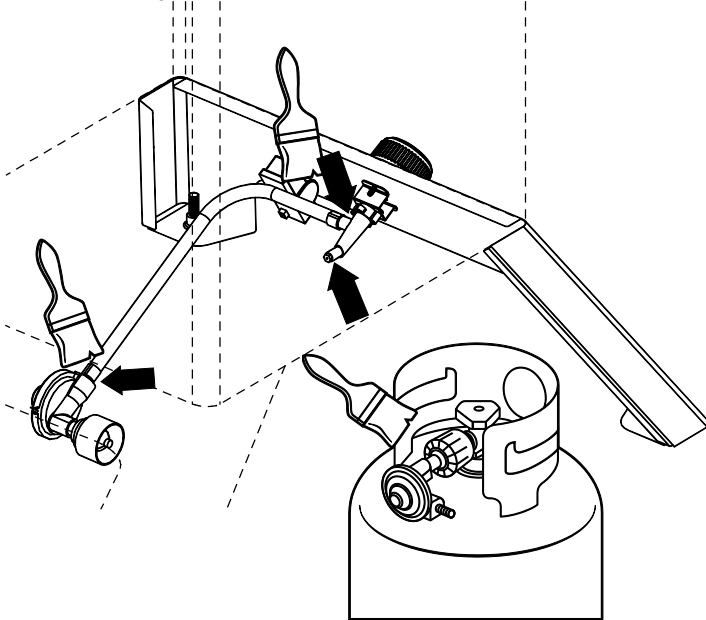
Todas las conexiones de fábrica se prueban rigurosamente para detectar fugas de gas. Sin embargo, durante su transportación y manejo puede aflojarse algún acople.

COMO PRECAUCIÓN DE SEGURIDAD:

- Compruebe todos los acoples para detectar si hay fugas antes de utilizar su ahumador a gas.
- Compruebe la válvula del cilindro para detectar si hay alguna fuga cada vez que llene el cilindro.
- Compruebe si hay alguna fuga cada vez que conecte un acople de gas.
- No fume en ningún momento mientras realiza la comprobación.
- Nunca compruebe si hay una fuga con un fósforo encendido o una llama expuesta.
- Realice las pruebas en el exterior.

PARA COMPROBAR SI HAY FUGAS:

1. Apague cualquier llama expuesta o cigarrillo que haya en el área.
2. Asegúrese de que la válvula del cilindro y las válvulas de gas estén cerradas.
3. Conecte el cilindro de gas LP. Ver "Manguera y regulador".
4. Prepare una solución jabonosa con una parte de agua y otra parte de detergente líquido.

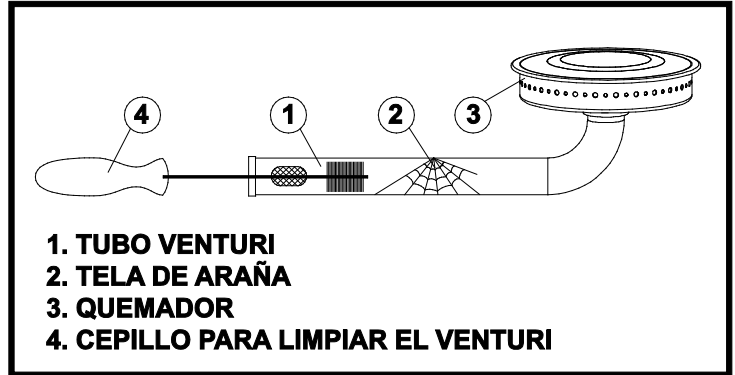


5. Con un cilindro de gas lleno, abra lentamente el cilindro.
6. Unte cada conexión con la solución de agua jabonosa.
7. Las fugas pueden identificarse mediante la formación de burbujas en el área de la fuga.
8. Si se detecta una fuga, cierre la válvula de cierre del cilindro de gas, ajuste la conexión y vuelva a realizar la comprobación.
9. Si la fuga continúa, contacte a su proveedor del ahumador a gas para obtener ayuda. No intente utilizar la parrilla si hay una fuga.

TUBOS VENTURI

TUBOS VENTURI

Siempre mantenga limpios los tubos Venturi. Las obstrucciones en los tubos Venturi provocadas por arañas, insectos y nidos pueden desencadenar retornos de llamas. De hecho, aunque el ahumador a gas pueda encender todavía, el gas retenido puede encenderse y crear llamas alrededor de los tubos Venturi en el panel de control o en el quemador lateral.



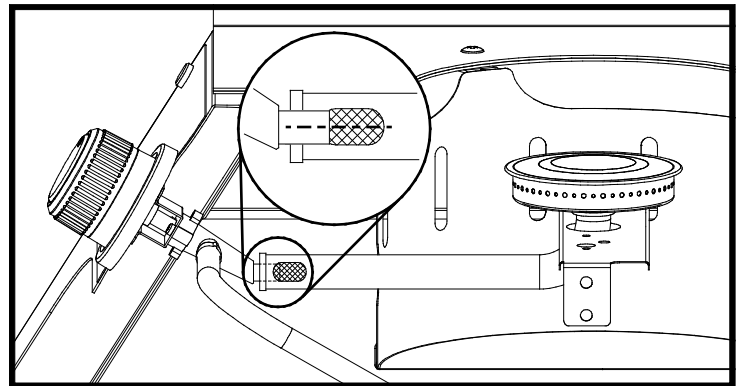
Si se produce un retorno de llamas, corte el suministro de la fuente de gas inmediatamente.

Revise y limpie los tubos Venturi (quemador principal, quemador lateral, quemador posterior) si se presenta cualquiera de las siguientes señales

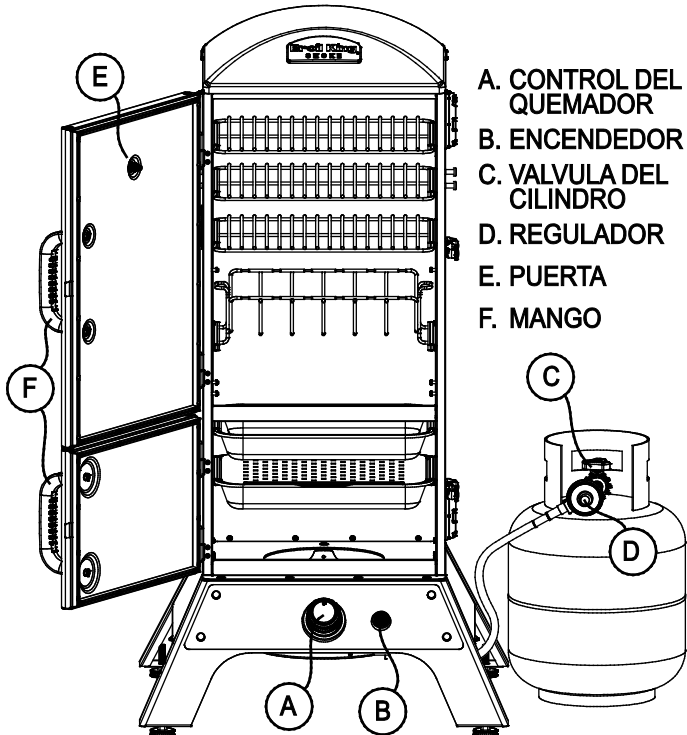
1. Siente olor a gas.
2. Su ahumador a gas no gana temperatura.
3. Su ahumador se calienta de manera irregular.
4. Los quemadores emiten chasquidos.

INSPECCIÓN Y LIMPIEZA DE LOS TUBOS VENTURI

1. Corte el suministro de gas cerrando la válvula del cilindro de propano.
2. Cuando el ahumador esté frío, remueva los sujetadores del quemador. Saque los quemadores del armazón del ahumador.
3. Limpie los tubos Venturi con un limpiador de tubos o con una herramienta de limpieza Venturi (Accesorio #77310).
4. Vuelva a bajar el quemador hasta su ubicación en la caja del ahumador a gas, asegurándose de que los tubos Venturi estén correctamente alineados y acoplados en los orificios.
5. Asegure los quemadores con sus sujetadores correspondientes.



ENCENDIDO



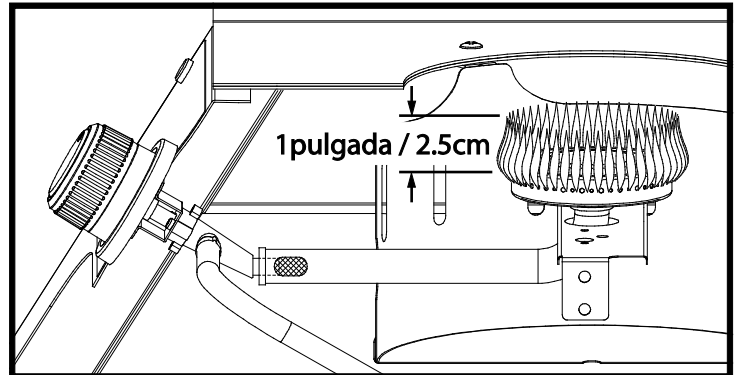
INSTRUCCIONES DE ENCENDIDO

1. El artefacto debe armarse de acuerdo con las instrucciones de montaje.
2. Asegúrese de que el cilindro LP esté lleno y correctamente conectado al regulador. Ver: "Manguera y regulador" (página 29)
3. Asegúrese de que no haya fugas de gas en el sistema de suministro de gas. Ver: "Prueba de fugas" (página 30)
4. Asegúrese de que los tubos Venturi estén correctamente colocados sobre el orificio de la válvula de gas. (Ver diagrama de Venturi, página 30)
5. Verifique que el cable de ignición del quemador principal esté conectado.
6. Revise cuidadosamente todas las instrucciones de la placa de información colocada en el ahumador.
7. ADVERTENCIA: Abra siempre la cubierta antes de encenderlo y no se incline sobre el ahumador mientras lo enciende.
8. Lleve las perillas de control hasta "CIERRE" y abra el suministro de gas.

ENCENDIDO DEL QUEMADOR

- a. Levante la cubierta del ahumador y déjela abierta hasta que lo encienda.
- b. Compruebe que se ha instalado la batería en el encendedor electrónico.
- c. Presione y haga girar la perilla de control del quemador principal hacia "ALTA".
- d. Mantenga presionado el botón del encendedor o utilice un fósforo.
- e. El quemador debe encenderse en unos 5 segundos; si no se enciende en ese período de tiempo, cierre el suministro de la fuente de gas inmediatamente. Para encender el quemador con un fósforo avance hasta el paso 14.
- f. Coloque un fósforo en la extensión para fósforos y enciéndalo.
- g. Baje el fósforo hasta el quemador
- h. Presione y haga girar a la derecha la perilla de control del quemador principal hacia "ALTA".
- i. El quemador debe encenderse en unos 5 segundos.

CUIDADO - Revise su parrilla a gas luego de encenderla. Todos los puertos de los quemadores deben mostrar una llama de 1 pulgada / 2.5 cm en "ALTA".



Si se presenta cualquiera de los siguientes síntomas, significa que probablemente hay un atasco en los tubos Venturi. Cierre inmediatamente el suministro de gas y limpie los tubos Venturi. Ver "Tubos Venturi" (página 30)

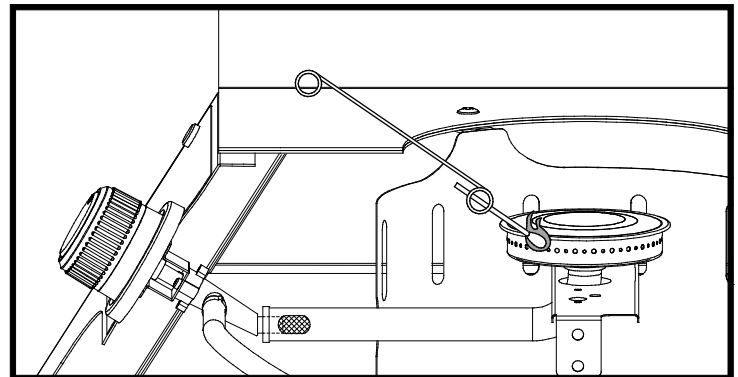
1. Siente olor a gas.
2. Se produce un retorno de llamas.
3. Su ahumador se calienta de manera irregular.
4. El quemador emite chasquidos.

SI EL QUEMADOR NO SE ENCIENDE:

1. Presione y haga girar la perilla de control hacia "CIERRE". Espere 5 minutos y vuelva a intentarlo con la perilla de control en "MEDIO".
2. Si no se enciende el quemador, vea el "Diagnóstico de problemas" en la página 35. Si el problema persiste, no intente utilizar el artefacto; póngase en contacto con OMC, con su proveedor o con un centro de servicios autorizado.

APAGADO:

1. Cierre la válvula del cilindro.
2. Gire las perillas de control hacia "CIERRE".



Match lighting the burner using the match light chain.

OPERACIÓN

INTRODUCCIÓN

Antes de cocinar en su ahumador a gas por primera vez, remueva las rejillas, bandejas para ahumar y para el agua, y lávelas con agua tibia y jabón. Enjuáguelas bien y séquelas con una toalla suave. No las seque al aire y nunca las ponga en el lavavajillas.

Acondicionamiento inicial - Antes de empezar a cocinar en su ahumador vertical a gas Broil King® Smoke^{MR} tiene que quemar los residuos protectores del proceso de fabricación. Encienda su ahumador, como se indica en la página 31: Encendiendo su ahumador, y mantenga el quemador a fuego alto durante 30 minutos como mínimo. Esto eliminará todo el recubrimiento protector del proceso de fabricación y comenzará a ahumar los componentes internos del ahumador. Cuanto más use su ahumador, mejor acondicionado estará.

TÉCNICAS DE AHUMADO

Ahumado - A menos de 275 °F

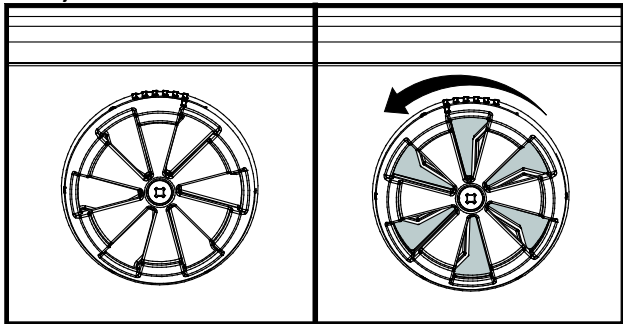
Esta clásica forma de asar utiliza cocción de cortes grandes de carne a bajas temperaturas (menos de 275 °F (135 °C)) durante relativamente mucho tiempo (unas 4 horas). El uso de virutas de madera infunde las carnes cocidas lentos y otras cosas que se cocinan lentamente con sabor a asado ahumado y brinda resultados increíblemente tiernos.

Asado ahumado – 275 °F – 400 °F

También conocido como cocción indirecta, es parecido al ahumado. El asado ahumado es una versión acelerada del mismo principio. Funciona bien con cortes de carne, pollo y otras cosas más convencionales que normalmente se cocinan al horno. La combinación de ahumado y tiempo de cocción crea un gran sabor en menor tiempo que el ahumado verdadero.

CONTROL DE TEMPERATURA

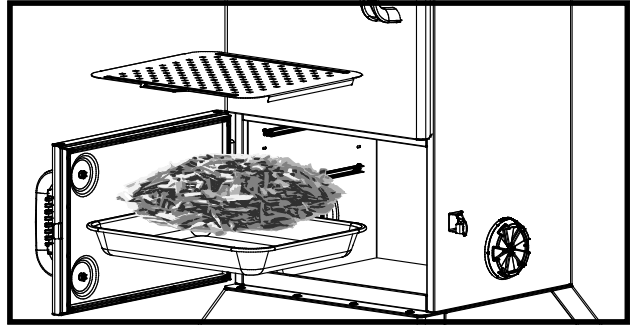
El ahumador vertical a gas Broil King® Smoke^{MR} le permite controlar la temperatura de cocción regulando la perilla de control y la ventilación de salida. Para trabajar con la parrilla utilice manoplas o apósitos calientes para proteger las manos mientras está cocinando o al ajustar las ventilaciones.



TROCITOS DE MADERA

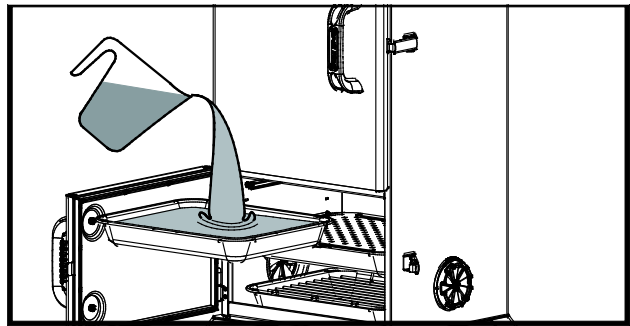
Remoje las astillas de madera durante 30 minutos antes de agregar al fumador. No coloque las virutas de madera en cacerola la grasa. Agregue trocitos de madera una vez que el quemador principal se haya encendido, pero antes de agregar la carne en el ahumador. El sabor ahumado se acumula mejor en artículos fríos que tienen humedad en el exterior. Una vez que se seque el exterior del artículo, no absorberá más sabor ahumado.

Para obtener los mejores resultados, trate de mantener una temperatura de 200 °F a 300 °F para la mayoría de las carnes ahumadas. Cocine siempre hasta la temperatura interna especificada para cada tipo de carne. Esa es la única forma de asegurar que esté bien cocida.



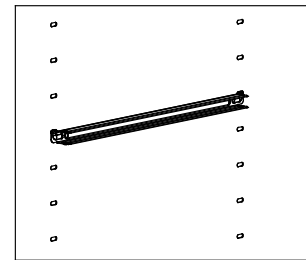
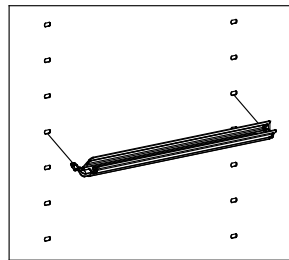
CONTROL DE HUMEDAD

Bandeja para el agua: Su ahumador vertical a carbón viene equipado con una bandeja para agua, para evitar que se seque la comida. Use agua, jugos y otras hierbas y especias para crear otra capa de sabor mientras usa el ahumador.



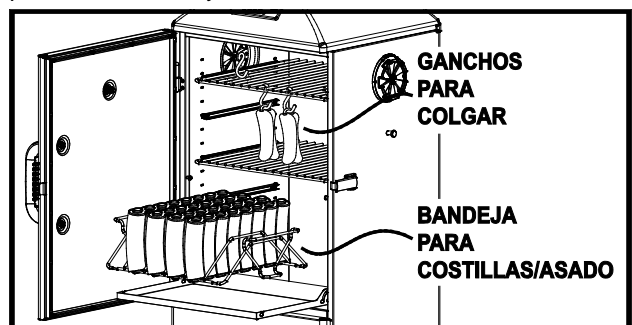
ACCESORIOS DE COCCIÓN

Estantes ajustables: Los rieles que sostienen las rejillas de cocción y las bandejas son completamente ajustables, permitiendo el uso más eficiente de su ahumador.



Bandeja para costillas/asado: Su ahumador incluye una bandeja para costillas/asado que se puede usar en lugar de la rejilla de acero inoxidable. Maximice el espacio de su ahumador manteniendo las costillas juntas entre sí.

Ganchos de acero inoxidable: Deje el estante superior en su lugar y use los 16 ganchos incluidos para colgar salchichas, trozos de pollo, pescados enteros y otros artículos.



RECETAS

COSTILLAS A LA PARRILLA

- 2 cucharadas de azúcar negra
- 1 cucharadita de sal gruesa
- 1 cucharadita de pimienta negra molida
- 1 cucharada de comino
- 2 cucharaditas de mostaza en polvo
- 2 cucharaditas de p prika
- 2 cucharadas de aj  molido
- 1 cucharadita de sal de cebolla
- 1 cucharadita de sal de apio
- 1 cucharadita de ajo en polvo
- 1 cucharada de or gano

POLLO AHUMADO

- Precaliente el ahumador a 225  F (107  C)
- 1 pollo entero, trozado o pedazos de pollo (muslos, alas, patas) hasta 5 libras
- Friegue los trozos de pollo con salsa BBQ para uso general y d jelos reposar durante 30 minutos
- Agregue una bandeja de agua al ahumador
- A adir pu ado de Apple o de otros pedazos de madera a la bandeja del fumador.
- Acomode el pollo en las rejillas de cocci n
- Coc nelo durante 2,5 - 4 horas
- La temperatura interna debe alcanzar los 165  F (74  C)
- T pelo y d jelo reposar por 10 minutos
- S rvalo y disfr telo

COSTILLAS

- Precaliente el ahumador a 250  F (121  C)
- 4 tiras de costillas de cerdo
- Remueva la membrana de las costillas
- Condim ntelas bien con salsa BBQ
- Agregue una bandeja de agua con jugo de manzana en el ahumador
- A adir pu ado de Apple o de otros pedazos de madera a la bandeja del fumador.
- Acomode las costillas en la rejilla de cocci n o en la bandeja para costillas incluida.
- Coc nelas durante 3-4 horas
- Si lo desea, agregue salsa BBQ en este momento y termine usando su parrilla a gas Broil King a 400  F durante 10 - 20 minutos.
- S quelas del ahumador, t pelas y d jelas reposar por 10 minutos
- S rvalas y disfr telas

PUERCO DESMENUZADO

- Precaliente el ahumador a 225  F (107  C)
- 4 - 15 libras de paleta de cerdo (los cortes m s peque os normalmente se llaman Boston Butt o Picnic Shoulder)
- Condim ntelo bien con salsa BBQ
- Agregue una bandeja de agua con jugo de manzana en el ahumador y coloque la paleta de cerdo sobre la bandeja
- A adir pu ado de Apple o de otros pedazos de madera a la bandeja del fumador.
- Coloque la paleta de cerdo en las rejillas de cocci n
- Coc nela durante 4 horas o m s, a una temperatura interna de 185  F (85  C) como m nimo
- S quela del ahumador, envu lvala con papel de aluminio y d jela reposar por 30 minutos
- P quela con la S per Esp tula de Broil King  (#64011) o desmen cela con las Garras para Carne Broil King  (#64070)
- Agr guele salsa al gusto
- S rvala y disfr tela

MANTENIMIENTO

MANTENIMIENTO REGULAR

Los siguientes componentes deben inspeccionarse y limpiarse (según sea necesario) antes de utilizar su ahumador a gas para garantizar un rendimiento, seguridad y eficiencia óptimos.

REJILLAS DE COCCIÓN

Todas las rejillas de cocción de OMC están cubiertas con un acabado duradero para protegerlas y reducir la tendencia de los alimentos a pegarse a ellas. En todas las rejillas de cocción de OMC, en lugar de realizar una quema de su ahumador después de cada uso, le recomendamos dejar los residuos de comida en las parrillas y realizar una quema de residuos (ver a continuación) antes de cada uso; esto ayudará a construir una capa protectora de aceite en las rejillas y ayudará a evitar la corrosión y el deterioro.

ACONDICIONAMIENTO DE LAS REJILLAS

Las rejillas de cocción deben acondicionarse antes de cada uso untándolas o rociándolas con aceite vegetal o de oliva. Asegúrese de que toda la superficie de las rejillas esté cubierta por una capa fina de aceite. Esto ayuda a evitar la corrosión y el deterioro. Si llegan a oxidarse las rejillas, raspe el óxido suavemente con una esponja de limpiar y recúbrelas bien. Durante períodos más extensos de inactividad, las rejillas deben recubrirse, secarse y luego almacenarse en un lugar seco. Antes de utilizar las rejillas por primera vez y después de períodos de almacenamiento, deben lavarse, secarse con toallas de papel y luego recubrirse bien con aceite de oliva o vegetal.

BANDEJA PARA EL AGUA

Deberá vaciar la bandeja para el agua cada vez que termine de cocinar. Espere a que el ahumador se enfríe por completo. Remueva cuidadosamente la bandeja para el agua y deseche el líquido y los residuos. Lave la bandeja con agua y jabón.

CAJA AHUMADORA

Deberá vaciar la caja ahumadora cada vez que termine de cocinar. Espere a que el ahumador se enfríe por completo. Es una buena idea empapar los trocitos de madera con agua para asegurarse de que estén completamente apagados. Remueva cuidadosamente la caja ahumadora y deseche los trocitos de madera usados y los residuos. Lavar la bandeja con jabón.

QUEMA DE RESIDUOS

Primero verifique que la bandeja para el agua y la caja ahumadora se hayan vaciado. Encienda los quemadores según se indica en la sección "Encendido" (página 7). Deje encendido el ahumador a gas en temperatura HIGH con la cubierta cerrada durante 10 minutos, o hasta que deje de salir humo. Cierre el suministro de la fuente de gas y haga girar las perillas de control a la posición de "OFF". Cuando el ahumador se haya enfriado: Limpie el interior según sea necesario raspando los laterales y el fondo de la caja de cocción y aspirándola.

Mantenga siempre su ahumador vertical a gas Broil King® Smoke^{MR} cubierto cuando no lo use. Utilice la cubierta # 67240 de Broil King®.

MANTENIMIENTO ANUAL

Los siguientes componentes deben inspeccionarse y limpiarse al menos una vez al año o después de períodos de almacenamiento de más de 30 días para garantizar un rendimiento, seguridad y eficiencia óptimos.

QUEMADOR

Saque el quemador e inspeccione si presenta rajaduras o deterioro. Limpie los tubos Venturi utilizando un limpiador de tubos o un cepillo Venturi para eliminar cualquier obstrucción. Ver "Tubos Venturi" Cuando saque el quemador, limpie el interior de la caja de cocción raspando los laterales y el fondo y aspirándola.

MANGUERA

Inspecciónela y reemplácela si es necesario. Para propano, consulte "Manguera y regulador". (página 5)

ACABADO EXTERIOR

Si aparecen puntos blancos de óxido, lave la caja de cocción por fuera con una solución de agua y jabón. Enjuague bien las superficies y luego límpielas utilizando un paño humedecido en aceite de cocina para devolverles el brillo. Para reparar rayones de la pintura, utilice un aerosol de pintura de ALTA temperatura (600°F) de buena calidad para retocarla. La oxidación es un proceso natural y puede presentarse en partes de hierro fundido y acero. El óxido no afectará el rendimiento a corto plazo de su ahumador.

ACERO INOXIDABLE

Lávelo con agua y jabón. Utilice un limpiador de acero inoxidable para pulir y eliminar las manchas o marcas. El desgaste y el calor extremo pueden hacer que la cubierta de acero inoxidable tome un color bronceado. Se trata de una decoloración y no se considera un defecto de fabricación.

COMPONENTES DE RESINA

Lávelos con agua y jabón.

PARTES DE REEMPLAZO

Si detecta un problema en el regulador, manguera, quemador o válvulas de control, no intente repararlo. Vea a su proveedor, centro de servicios autorizado, o póngase en contacto con la fábrica para reparaciones o reemplazo de partes. Para asegurar un rendimiento óptimo, utilice únicamente partes de repuesto originales de OMC.

PRUEBA DE FUGAS

Cuando conecte un cilindro de gas a modelos que funcionan con gas propano, asegúrese de comprobar si hay fugas. Ver "Prueba de fugas" (página 5)

REJILLAS DE COCCIÓN

Para lavar rejillas de cocción, utilice un detergente suave y agua, y luego enjuague y seque con una toalla de papel; nunca seque las rejillas con aire caliente ni utilice un lavavajillas. En el caso de las rejillas de hierro fundido, acondiciónelas bien (ver a la izquierda: "Rejillas de cocción ") después de lavarlas.

Mantenga siempre su ahumador vertical a gas Broil King® Smoke^{MR} cubierto cuando no lo use. Utilice la cubierta # 67240 de Broil King®.

SOLUCIÓN DE PROBLEMAS

PROBLEMA	CAUSA POSIBLE	ACCIÓN CORRECTIVA
OLOR A GAS	CIERRE DE INMEDIATO LA VÁLVULA DEL CILINDRO LP. NO UTILICE EL ARTEFACTO HASTA QUE NO SE HAYA SELLADO LA FUGA.	
Fuga detectada en el cilindro, en el regulador o en otra conexión.	<ol style="list-style-type: none"> 1. Acople del regulador suelto. 2. Fuga de gas en la manguera/regulador o en las válvulas de control. 	<ol style="list-style-type: none"> 1. Apriete el acople y realice una "Prueba de fugas". 2. Diríjase a un centro de servicios autorizado.
Fuego detrás del panel de control. (Llamas de retorno)	<ol style="list-style-type: none"> 1. Tubo Venturi obstruido. 	<ol style="list-style-type: none"> 1. Saque el quemador, limpie el tubo Venturi. Ver "Tubos Venturi".
Llama intermitente en el quemador o baja temperatura en el ajuste "ALTA".	<ol style="list-style-type: none"> 1. El dispositivo de seguridad contra flujo excesivo se ha activado en la conexión entre el cilindro y la parrilla. 	<ol style="list-style-type: none"> 1. Cierre la válvula del cilindro LP y luego lleve todos los quemadores a la posición de APAGADO. Desconecte el regulador del cilindro. Espere dos minutos. Vuelva a conectar el regulador al cilindro. Abra lentamente la válvula del cilindro. Espere un minuto. Encienda la parrilla según se indica en "Encendido" (página 31).
El quemador no enciende.	<ol style="list-style-type: none"> 1. Se terminó el gas LP. 2. Cable(s) del encendedor desconectado(s). 3. Electrodo de encendido desalineado en el quemador. 4. Desperfecto del encendedor. 5. El regulador no está completamente conectado a la válvula del cilindro. 6. Se dejó la llave del quemador abierta al abrir la llave del cilindro, causando la activación del dispositivo contra exceso de flujo. 7. Una fuga en el sistema hace que el dispositivo contra el exceso de flujo se active. 8. Tubo Venturi obstruido. 9. El Venturi no está alineado con el orificio de la válvula. 10. Orificio bloqueado. 11. La manguera está doblada. 	<ol style="list-style-type: none"> 1. Vuelva a llenar el cilindro de gas LP. 2. Conecte los electrodos del quemador principal y del lateral. 3. Vuelva a alinear el electrodo. 4. Use el procedimiento de "Encendido manual". 5. Ajuste la manivela del regulador. 6. Cierre la válvula del quemador y la del cilindro. Abra lentamente la válvula del cilindro, luego abra la válvula del quemador para encenderlo. 7. Compruebe si hay fugas en las conexiones para determinar si hay un acople suelto. Apriete el acople. Compruebe que no haya fugas en el sistema. 8. Saque el quemador, limpie el tubo Venturi. Ver "Tubos Venturi". 9. Vuelva a alinear el Venturi con el orificio. Ver "Tubos Venturi". 10. Saque el quemador, limpie los orificios con un alfiler o con un alambre delgado. No intente perforar un orificio. 11. Enderece la manguera. Manténgala alejada del fondo de la parrilla
El encendedor no funciona	<ol style="list-style-type: none"> 1. Se agotó la batería del encendedor 2. Cable del encendedor desconectado 3. Electrodo desalineado en el quemador 4. Desperfecto del encendedor 	<ol style="list-style-type: none"> 1. Reemplace la batería 2. Verifique que el cable del electrodo esté conectado 3. Vuelva a alinear el electrodo y limpie los restos circundantes del área 4. Utilice el procedimiento de "Encendido con fósforo" (página 31)
Disminución del calor, "chasquidos".	<ol style="list-style-type: none"> 1. Se terminó el gas LP. 2. Tubo Venturi obstruido. 	<ol style="list-style-type: none"> 1. Vuelva a llenar el cilindro de gas LP. 2. Saque el quemador y límpielo con un cepillo de cerdas suaves.
Zumbido del regulador	<ol style="list-style-type: none"> 1. Se abrió demasiado rápido la válvula del cilindro. 	<ol style="list-style-type: none"> 1. Abra lentamente la válvula del cilindro.
Llama amarilla	<ol style="list-style-type: none"> 1. Es normal que la llama sea un poco amarilla. Si se torna demasiado amarilla, puede que el tubo Venturi esté obstruido. 2. Puertos del quemador bloqueados. 	<ol style="list-style-type: none"> 1. Saque el quemador, limpie el tubo Venturi. Ver "Tubos Venturi". 2. Saque el quemador y límpielo con un cepillo de cerdas suaves.
El interior de la cubierta parece estar descascarándose	<ol style="list-style-type: none"> 1. Se trata de una acumulación de grasa. El interior de la cubierta no está pintado 	<ol style="list-style-type: none"> 1. Límpielo con un cepillo de cerdas duras o con una espátula
<p>Si no consigue resolver estas u otras dificultades con el diagnóstico de problemas, visite el sitio de Internet www.omcbbq.com para obtener más información incluyendo videos de diagnóstico de problemas, trucos y consejos, o llame a nuestro servicio de atención al cliente: 1-800-265-2150</p>		

GARANTÍA

GARANTÍA Y SERVICIO AL CLIENTE

La Garantía OMC es válida a partir de la fecha de compra y está limitada a reparaciones o reemplazos de partes sin costo alguno de componentes defectuosos en condiciones normales de uso doméstico.

En Canadá y Estados Unidos, el reemplazo se realiza FOB en la Fábrica.

En todos los demás países, el reemplazo es FOB al distribuidor OMC. (Contacte a su proveedor para conocer el nombre de su distribuidor OMC).

Todos los demás costos son responsabilidad del dueño.

Esta garantía se le otorga únicamente al comprador original como se indica en el registro de garantía y es válida únicamente para productos de venta al por menor y solo cuando tales productos son utilizados exclusivamente en el país donde los compró.

LO QUE ESTÁ CUBIERTO: :

Caja de cocción con recubrimiento para alta temperatura	5 años
El resto de las partes y la pintura	2 años

Lo que no está cubierto:

- Cualquier falla o problema de funcionamiento debido a un accidente, uso indebido o incorrecto, alteración, uso para otros fines, vandalismo, instalación incorrecta o mantenimiento o reparación inadecuados, o el incumplimiento del mantenimiento de rutina, tal como se especifica en el manual del propietario.
- Deterioro o daños debidos a condiciones meteorológicas severas, como granizo, huracanes, terremotos o tornados, decoloración debido a exposición a productos químicos ya sea directamente o en el ambiente.
- Costos de envío o transportación
- Costos de devolución o reinstalación.
- Costo de mano de obra por reinstalación o reparaciones.
- Costo de llamadas de servicios técnicos.
- Responsabilidad por daños indirectos o consiguientes.

Partes de repuesto:

Para los reemplazos, siempre debe utilizar "Partes auténticas de reemplazo de OMC". El uso de cualquier otra parte anulará automáticamente la garantía descrita anteriormente.

Reclamos de garantía

Toda la garantía es manejada directamente por OMC. Las partes deben devolverse al Departamento de Garantía de OMC, previo pago anticipado de los costos de envío, acompañado del Número del modelo, Número de serie, y si su parrilla no está registrada, la constancia de compra (copia del recibo de compra o factura). Si la inspección confirma el defecto, OMC reparará o reemplazará dicha parte de acuerdo con los términos de la garantía. Al recibir la carta o fax (no por teléfono) puede que OMC, a su criterio, no requiera la devolución de la(s) parte(s).

Fuera de América del Norte

La garantía anterior es gestionada por el distribuidor de OMC en su país. Contacte a su proveedor para conocer el nombre de su distribuidor OMC.