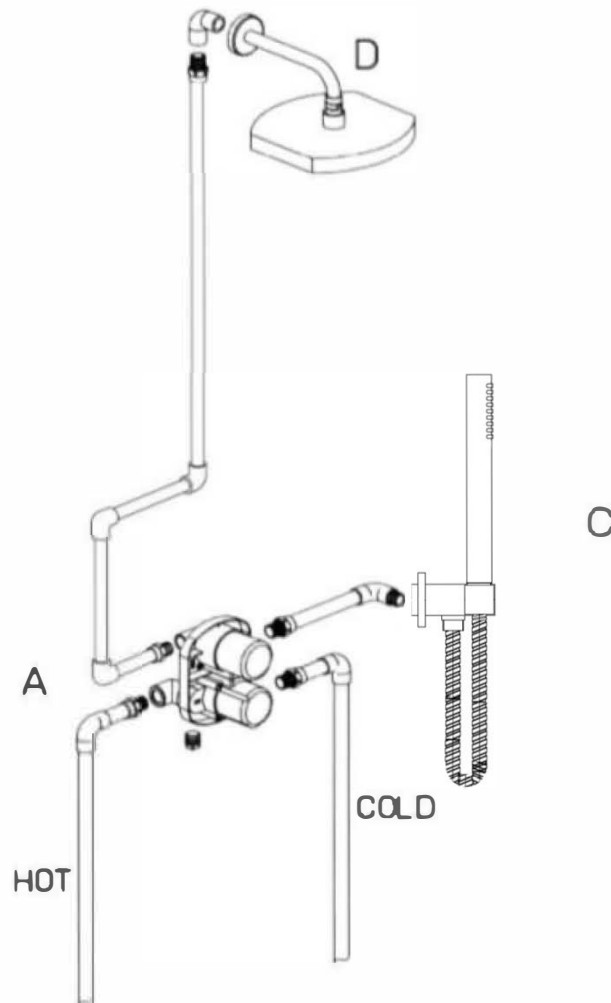


LADY OPTION 2A



Lady thermostatic valve with 2 way
diverter volume control.
8" rain shower head with 12" arm.
Wall-mounted handshower kit with
78" flexible hose
1/2" inlet connections

Lady Series

Shower Option 2A

Transitional Styling

STANDARDS

- Compliant with ASME A112.18.1-B125.1
- Compliant with AB1953
- Compliant with ANSI NSF61 – Annex G
- Certified by CSA International
- Compliant with ANSI A117.1



Finishes

	LADY OPTION 2A CR	LADY OPTION 2A PW	LADY OPTION 2A OK
Polished Chrome	X		
Brushed Nickel		X	
Satin Gold			X

Features

	LADY OPTION 2A CR	LADY OPTION 2A PW	LADY OPTION 2A OK
Solid Brass Construction	X	X	X
Meets NSF61/9 Annex G Lead Requirements	X	X	X
ADA Compliant	X	X	X
Step-By-Step Installation Instructions	X	X	X
Limited Lifetime Warranty	X	X	X
2.0 GPM	X	X	X
1/2" Inlet Connections	X	X	X

1-866-668-6690
 1571 MAIN RD
 NEWFIELD, NJ 08344

www.paini-usa.com

