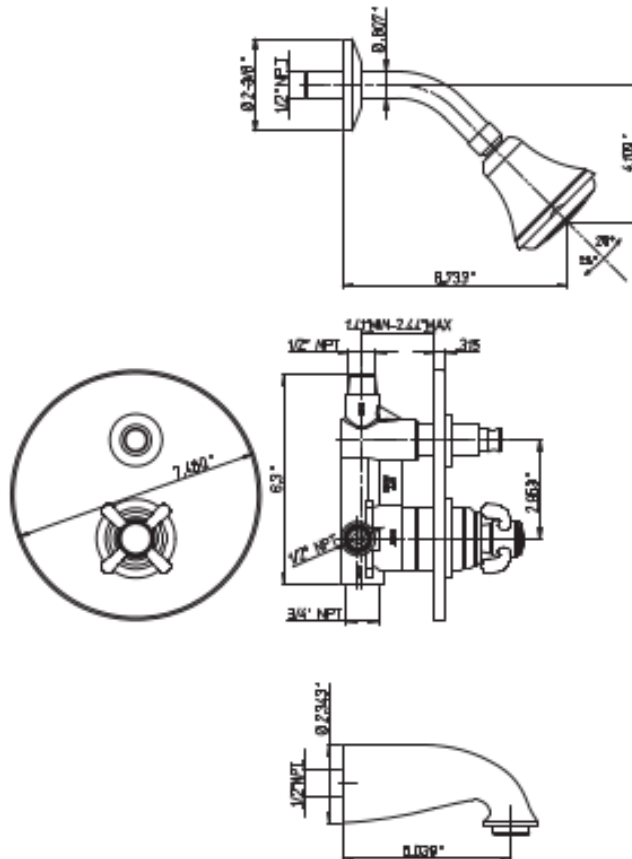


87-797



Ornellaia pressure balance valve tub and shower set
3-function shower head with arm and a flange



Ornellaia Series

87-797

Traditional Styling

STANDARDS

- Compliant with ASME A112.18.1-B125.1
- Compliant with AB1953
- Compliant with ANSI NSF61 – Annex G
- Certified by CSA International
- Compliant with ANSI A117.1

Finishes	87CR797	87PW797	87TU797
Polished Chrome	X		
Brushed Nickel		X	
Tuscan Bronze			X

Features	87CR797	87PW797	87TU797
Solid Brass Construction	X	X	X
Complies with ASSE 1016 Standard	X	X	X
Ceramic Disc Pressure Balance	X	X	X
Step-By-Step Installation Instructions	X	X	X
Mechanical Diverter	X	X	X
2.0 GPM	X	X	X

1-866-668-6690
 1571 MAIN RD
 NEWFIELD, NJ 08344

www.paini-usa.com