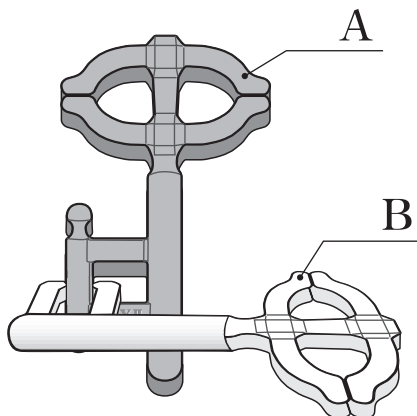
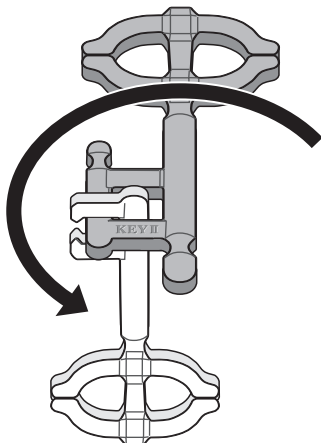


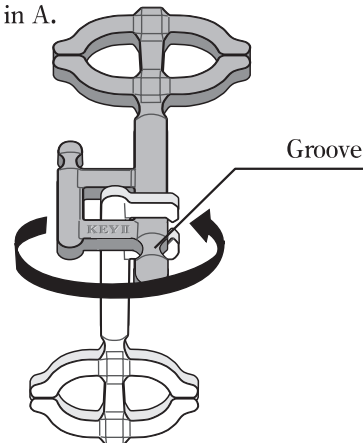
1. Start position.



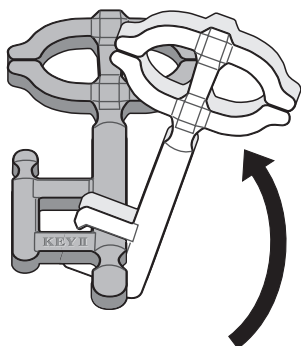
2. Turn B around to the other side.



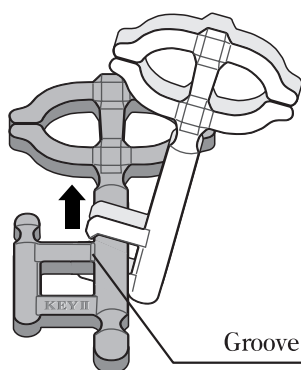
3. Rotate B 180° to the right and into the groove in A.



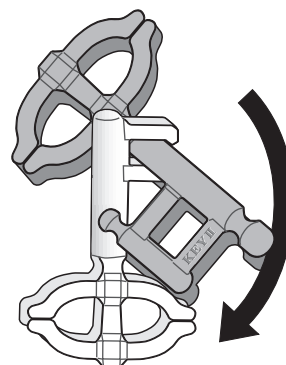
4. Bring B upwards.



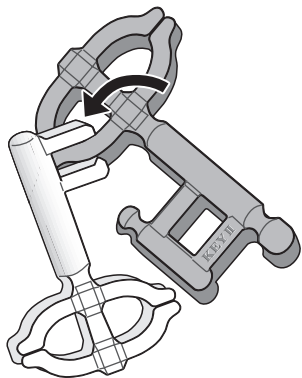
5. Slide B through the small groove in A.



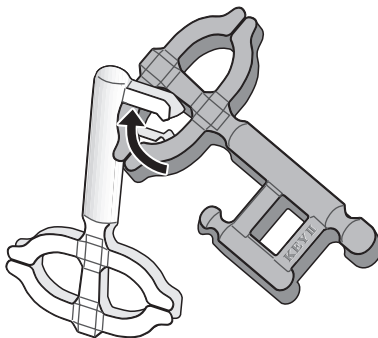
6. Turn B to hang downwards.



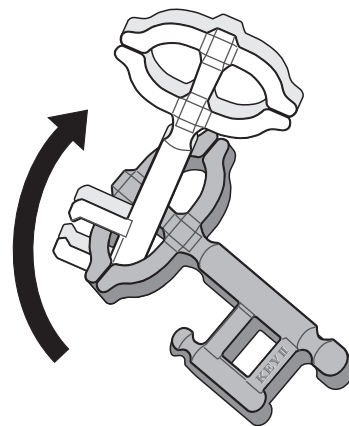
7. Slide B through the small groove in A and move B into the left hand space.



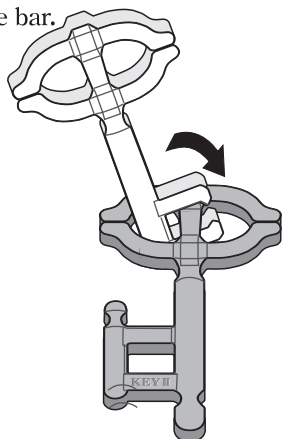
8. Continue to slide B round to the top of A.



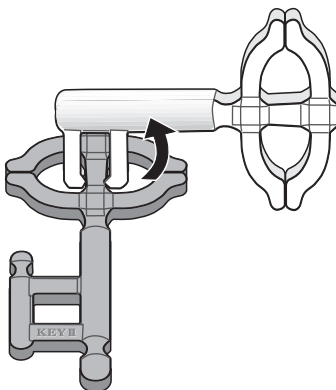
9. Bring B upwards.



10. Rotate B 90° to the right and pull it into the centre bar.



11. Turn B right and pull it up and off A.



12. Separated keys.

