

# AIRTRONIC / AIRTRONIC M

## Troubleshooting and Repair Instructions



<b>Airtronic</b>	Order no.	<b>Airtronic M</b>	Order no.
Airtronic D2, 12 V	25 2069 05 00 00	Airtronic D3, 12 V	25 2317 05 00 00
Airtronic D2, 24 V	25 2070 05 00 00	Airtronic B4, 12 V	20 1812 05 00 00
Airtronic D2 Camper, 12 V	25 2326 05 00 00	Airtronic D4, 12 V	25 2113 05 00 00
Complete package		Airtronic D4, 24 V	25 2114 05 00 00
Airtronic D2, 12 V	25 2675 05 00 00	Airtronic D4 Plus, 12 V	25 2484 05 00 00
Airtronic D2, 24 V	25 2676 05 00 00	Airtronic D4 Plus, 24 V	25 2498 05 00 00
		Airtronic D4S, 12 V	25 2144 05 00 00
		Airtronic D4S, 24 V	25 2145 05 00 00
		Airtronic D3 Camper, 12 V (see Airtronic D3)	
		Airtronic D4 Camper, 12 V	25 2318 05 00 00
		Airtronic D4 Camper plus, 12 V	25 2327 05 00 00

**Air heater for diesel and petrol  
operating independently of the engine.**

# 1 Introduction

## Contents

This list of contents gives you precise information about the contents of the Troubleshooting and Repair Instructions.

Use the index, list of abbreviations, etc, to look for a term, technical word or an explanation for an abbreviation.

Chapter	Title	Contents	Page
1	Introduction	<ul style="list-style-type: none"> <li>• Foreword ..... 4</li> <li>• Accident prevention ..... 4</li> <li>• Special text structure, presentation and picture symbols ..... 4</li> <li>• Important information before starting work ..... 4</li> </ul>	
2	Function and use	<ul style="list-style-type: none"> <li>Cutaway view ..... 5</li> <li>• Description of functions               <ul style="list-style-type: none"> <li>– Switching on ..... 6</li> <li>– Starting the Airtronic ..... 6</li> <li>– Starting the Airtronic M ..... 6</li> <li>– Temperature selection with the control element ..... 6</li> <li>– Control in heating mode ..... 6</li> <li>– Ventilating mode ..... 6</li> <li>– Switching off ..... 6</li> </ul> </li> <li>• Control and safety devices ..... 7               <ul style="list-style-type: none"> <li>– Forced shut-down for ADR operation ..... 7</li> <li>– Emergency shutdown – EMERGENCY OFF ..... 7</li> </ul> </li> </ul>	
3	Technical data	<ul style="list-style-type: none"> <li>• Airtronic (for diesel) ..... 8</li> <li>• Airtronic M (for petrol) ..... 9</li> <li>• Airtronic M (for diesel) ..... 10, 11</li> <li>• Check values               <ul style="list-style-type: none"> <li>– Test speed for the blower ..... 12</li> <li>– Resistance values ..... 12</li> <li>– Switching value ..... 12</li> <li>– Exhaust emission specification ..... 12</li> <li>– Check “external temperature sensor” ..... 12</li> <li>– Table of values: “External temperature sensor” ..... 12</li> </ul> </li> </ul>	
4	Troubleshooting	<ul style="list-style-type: none"> <li>• What to check first in case of faults               <ul style="list-style-type: none"> <li>– Check ..... 13</li> <li>– Electrical components ..... 13</li> <li>– Measure battery voltage ..... 13</li> <li>– Measures voltage supply ..... 13</li> <li>– Check switch-on signal ..... 13</li> <li>– Check control unit ..... 13</li> </ul> </li> <li>• Overview of the individual test equipment and control units ..... 14</li> <li>• Locking the control box ..... 14</li> <li>• Cancel the control box lock ..... 14</li> <li>• Important notes (diagnosis of heaters with mini-controller) ..... 14</li> <li>• Testing device for the control device ..... 15</li> <li>• Fault diagnosis using the diagnostic unit ..... 15, 16</li> <li>• Fault diagnosis using the EDiTH diagnostics tool with ISO adapter ..... 17</li> <li>• Air pressure sensor diagnosis using EDiTH diagnostics tool and ISO adapter ..... 18</li> <li>• Fault diagnosis using the EDiTH diagnostics tool with basic adapter ..... 19</li> <li>• Fault diagnosis using the module timer ..... 20</li> <li>• Fault diagnosis using the radio remote control TP5 ..... 21</li> <li>• Fault diagnosis using the EasyStart R+ radio remote control or the EasyStart T timer ..... 22</li> <li>• Fault code table ..... 23 – 27</li> </ul>	



# 1 Introduction

Chapter	Title	Contents	Page
5	Repair instructions	<ul style="list-style-type: none"> <li>• Repair instructions ..... 28</li> <li>• Always observe the following safety instructions before working on the heater ..... 28</li> <li>• Special tool, AMP release tool ..... 28</li> <li>• Assembly drawing Airtronic / Airtronic M ..... 29</li> <li>• Repair step 1, remove the heater cover ..... 30</li> <li>• Repair step 2, dismantle control box, check control box ..... 30</li> <li>• Repair step 3, dismantle glow plug ..... 31</li> <li>• Repair step 4, renew lining ..... 31</li> <li>• Repair step 5, dismantle combination sensor (overheating / flame sensor) ..... 32</li> <li>• Repair step 6, install combination sensor (overheating / flame sensor) ..... 33</li> <li>• Repair step 7, dismantle heat exchanger / dismantle combustion air fan ..... 34</li> <li>• Repair step 8, dismantle combustion chamber ..... 35</li> <li>• Check fuel supply ..... 36</li> <li>• Measuring the fuel quantity ..... 36</li> </ul>	
6	Circuit diagrams	<ul style="list-style-type: none"> <li>Overview of the parts lists and circuit diagrams ..... 37</li> <li>• Parts list circuit diagrams Airtronic / Airtronic M ..... 38</li> <li>• Circuit diagram Airtronic / Airtronic M ..... 39 This circuit diagram is valid for heaters with one diagnosis cable and a control box cable loom which is firmly encapsulated.</li> <li>• Circuit diagram Airtronic / Airtronic M ..... 40 This circuit diagram is for heaters with 2 diagnostics cable and whose control box cable loom is wound with cable tape.</li> <li>• Parts list circuit diagrams, control units ..... 41</li> <li>• Circuit diagram control units – part 1 ..... 42</li> <li>• Circuit diagram control units – part 2 ..... 43</li> <li>• Circuit diagram control units – part 3 ..... 44</li> <li>• Circuit diagram control units – part 4 ..... 45</li> <li>• Circuit diagram control units – part 5 ..... 46</li> <li>• Circuit diagram control units – part 6 ..... 47</li> <li>• Circuit diagram control units – part 7 ..... 48</li> <li>• Parts list circuit diagram control unit EasyStart R+ / R / T ..... 49</li> <li>• Circuit diagram control unit EasyStart R+ (control box with 1 diagnostics cable) ..... 50</li> <li>• Circuit diagram control unit EasyStart R+ (control box with 1 diagnostics cable) ..... 51</li> <li>• Circuit diagram control unit EasyStart R+ (control box with 2 diagnostics cable) ..... 52</li> <li>• Circuit diagram control unit EasyStart R (control box with 1 / 2 diagnostics cables) ..... 53</li> <li>• Circuit diagram control unit EasyStart R (control box with 2 diagnostics cables) ..... 54</li> <li>• Circuit diagram control unit EasyStart R (control box with 1 diagnostics cables) ..... 55</li> <li>• Circuit diagram control unit EasyStart T (control box with 1 diagnostics cable) ..... 56</li> <li>• Circuit diagram control unit EasyStart T (control box with 2 diagnostics cable) ..... 57</li> <li>• Parts list circuit diagrams Airtronic / Airtronic M – ADR ..... 58</li> <li>• Circuit diagram Airtronic / Airtronic M – ADR ..... 59 1 encapsulated diagnostics cable and control box cable loom firmly encapsulated</li> <li>• Circuit diagram Airtronic / Airtronic M – ADR ..... 60 2 diagnostics cables and control box cable loom with cable tape</li> <li>• Parts list circuit diagrams, control units – ADR ..... 61</li> <li>• Parts list circuit diagrams, control units – EasyStart T – ADR ..... 61</li> <li>• Circuit diagram control units – ADR ..... 62</li> <li>• Circuit diagram control unit EasyStart T – ADR (control box with 1 diag. cable) ..... 63</li> <li>• Circuit diagram control unit EasyStart T – ADR (control box with 2 diag. cable) ..... 64</li> </ul>	
7	Service	<ul style="list-style-type: none"> <li>• Certification ..... 65</li> <li>• Disposal ..... 65</li> <li>• EC Declaration of Conformity ..... 65</li> <li>• List of key words ..... 66</li> <li>• List of abbreviations ..... 67</li> </ul>	

# 1 Introduction

## Foreword

These Troubleshooting and Repair Instructions are applicable to the heaters listed on the title Page, to the exclusion of all liability claims.

Depending on the version or revised status of the heater, there may be differences between it and these troubleshooting and repair instructions.

The user must check this before carrying out the repair work and, if necessary, take the differences into account.



### Caution!

#### Safety instructions for installation and repair!

Improper installation or repair of Eberspächer heaters can cause a fire or result poisonous exhaust entering the inside of the vehicle. This can cause serious and even fatal risks.

The heater may only be installed according to the specifications in the technical documents or repaired using original spare parts by authorised and trained persons. Installation and repairs by unauthorised and untrained persons, repairs using non-original spare parts and without the technical documents required for installation and repair are dangerous and therefore are not permitted.

A repair may only be carried out in connection with the respective unit-related technical description, installation instructions, operating instructions and maintenance instructions. This document must be carefully read through before / during installation and repair and followed throughout. Particular attention is to be paid to the official regulations, the safety instructions and the general information.

### Please note!

The relevant rules of sound engineering practice and any information provided by the vehicle manufacturer are to be observed during the installation and repair.

Eberspächer does not accept any liability for defects and damage, which are due to installation or repair by unauthorised and untrained persons.

Compliance with the official regulations and the safety instructions is prerequisite for liability claims. Failure to comply with the official regulations and safety instructions leads to exclusion of any liability of the heater manufacturer.

## Accident prevention

General accident prevention regulations and the corresponding workshop and operating safety instructions are to be observed.

## Special text structure, presentation and picture symbols

Special text formats and picture symbols are used in these instructions to emphasise different situations and subjects. Please refer to the following examples for their meanings and appropriate action.

### Special text formats and presentations

- A dot (•) indicates a list, which is started by a heading.
  - If an indented dash (–) follows a “dot”, this list is a sub-section of the black dot.

### Picture symbols



#### Danger!

This information points out a dangerous situation for a person and / or the product. Failure to comply with these instructions can result in injuries to people and / or damage to machinery.



#### Caution!

This information points out a dangerous situation for a person and / or the product. Failure to comply with these instructions can result in injuries to people and / or damage to machinery.

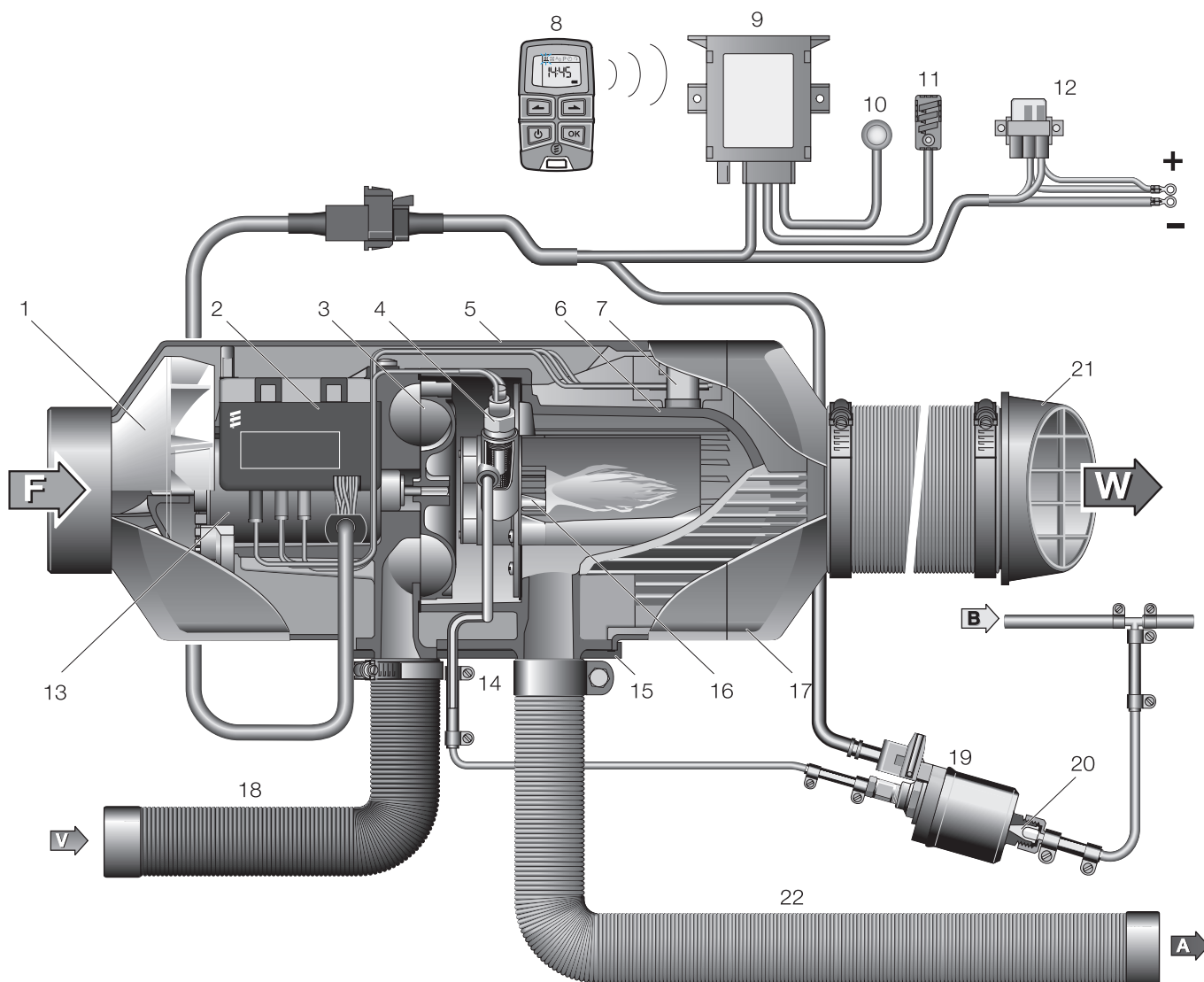
## Important information before starting work

### Initial commissioning of the heater or functional test after a repair

- After installing the heater, the whole fuel supply system must be carefully vented: please refer to and follow the vehicle manufacturer's instructions.
- During the heater trial run, all fuel connections must be checked for leaks and secure, tight fit.
- If faults occur while the heater is running, use a diagnostic unit to determine and correct the cause of the fault.

## 2 Function and use

### Cutaway view



- 1 Heater impeller
- 2 Control box
- 3 Combustion air fan impeller
- 4 Glow plug
- 5 Cover
- 6 Heat exchanger
- 7 Combination sensor (overheating / flame sensor)
- 8 Radio remote control (mobile unit)
- 9 Radio remote control (stationary unit)
- 10 Button
- 11 Temperature sensor (room temperature)
- 12 Fuse bracket with main fuse and "actuation" fuse
- 13 Electrical motor
- 14 Fuel connection
- 15 Flange seal

- 16 Combustion chamber
- 17 Outlet hood
- 18 Combustion air hose
- 19 Metering pump
- 20 Pot-type strainer, installed in the dosing pump
- 21 Outflow
- 22 Flexible exhaust pipe

F = Fresh air

W = Hot air

A = Exhaust

B = Fuel

V = Combustion air

## 2 Function and use

---

### Description of functions

#### Switching on

When the heater is switched on, the control lamp in the control unit lights up. The glow plug is switched on and the fan starts at low speed.

**Please note!**

If there is still too much residual heat in the heat exchanger from when the heater was last used, firstly only the fan starts up (cold blowing).

Once the residual heat has been cleared, the heater starts.

#### Starting Airtronic

After approx. 65 seconds the fuel supply starts and the fuel / air mixture in the combustion chamber ignites.

Once the combined sensor (flame sensor) has detected the flame, the glow plug is switched off after 60 seconds. The heater is now in standard operation.

#### Starting Airtronic M

After approx. 60 seconds the fuel supply starts and the fuel / air mixture in the combustion chamber ignites.

After the flame sensor has detected the flame, the glow plug is switched off after approx. 90 sec. The heater is now in standard operation.

After another 120 seconds, the heater has reached the "POWER" stage (maximum fuel quantity, maximum fan speed).

#### Temperature selection with the control element

The control can be used to preselect an interior temperature. The resulting temperature can be within the range of +10 °C to +30 °C and depends on the selected heater, on the size of the space to be heated and on the prevailing outdoor temperature. The setting to be selected at the control is an empirical value.

#### Control in the heating mode

During the heating mode, the room temperature or the temperature of the sucked in heating air is constantly measured. If the temperature is higher than the temperature selected on the control element, the heater starts to regulate its output. There are 4 control stages so that the outflow of heat produced by the heater can be adjusted finely to the heating requirements. Fan speed and fuel quantity correspond to the particular control stage.

If the set temperature is still exceeded in the smallest control stage, the heater goes to the "OFF" stage with the fan running on for approx. 4 minutes to cool off.

The fan then continues running at minimum speed (circulation mode) until the restart or is switched off (fresh air mode with external temperature sensor).

#### Ventilating mode

The EasyStart R+ and EasyStart T control units and the mini-controller can be used to activate the „Ventilate“ function. The „Heat / Ventilate“ switch is also required for the modular timer and control device whereby, for fan mode, the „Heat / Ventilate“ switch must be pressed first and then the heater switched on.

The blower runs at maximum speed in fan mode.

#### Switching off

When the heater is switched off, the control lamp goes off and the fuel supply is switched off.

The fan runs on for approx. 4 minutes to cool down.

While the fan is running on, the glow plug is switched on for approx. 40 seconds to clean.

Special case:

If no fuel has been supplied or if the heater is in the "OFF" stage until it is switched off, the heater is stopped without any after running.



## 2 Function and use

### Control and safety devices

- If the heater does not ignite within 90 seconds after starting the fuel pump, the start is repeated. If the heater still does not ignite after another 90 seconds of pumping fuel, the heater is switched off, i.e. the fuel supply is off and the fan runs on for approx. 4 minutes.
- If the flame goes off by itself during operation, the heater is restarted. If the heater does not ignite within 90 seconds after the fuel pump has started, or ignites and goes off again within 15 minutes, the heater is switched off, i.e. the fuel supply is off and the fan runs on for approx. 4 minutes. This status can be remedied by briefly switching off and on again. Do not repeat the switching off / on routine more than twice.
- In the case of overheating, the combined sensor (flame sensor / overheating sensor) triggers, the fuel supply is interrupted and the heater switched off. Once the cause of the overheating has been eliminated, the heater can be restarted by switching off and on again.
- If the lower or upper voltage limit is reached, the heater is switched off after 20 seconds.
- The heater does not start up if the glow plug or blower motor is defective or if the electric lead to the metering pump is interrupted.
- If the combined sensor (flame sensor / overheating sensor) is defect or the electric lead interrupted, the heater starts up and is then switched off again during the start phase.
- The speed of the fan motor is monitored continuously. If the fan motor does not start up or if the speed deviates by more than 10%, the heater is switched off after 30 sec.
- When the heater is switched off, the glow plug is switched on for 40 seconds (after-glowing) while the fan runs on to clean off any combustion residues.

#### Please note!

Do not repeat the switching off / on routine more than twice.

### Forced shut-down for ADR operation

In vehicles for the transport of dangerous goods (e.g. tanker trucks), the heater must be switched off before the truck drives into a danger area (refinery, petrol station, etc.). Failure to comply results in the heater automatically switching off if:

- the vehicle engine is switched off,
  - an additional unit is started up (auxiliary drive for unloading pump, etc.),
  - a vehicle door is opened (ADR99 regulation, only in France).
- The fan then runs on for max. 40 seconds.

#### Emergency shutdown – EMERGENCY OFF

If an emergency shutdown –EMERGENCY OFF – is required during operation, execute the following:

- Switch the heater off at the control element or
- remove the fuse or
- disconnect the heater from the battery.



### 3 Technical data

#### Technical data

Heater type	<b>Airtronic</b>				
Heater	Airtronic D2 / Airtronic D2 Camper				
Version	D2 / D2 Camper				
Heating medium	Air				
Control of the heat flow	Stage				
	Power	Large	Medium	Small	Off
Heat flow (watt)	2200	1800	1200	850	–
Heater air flow rate without counterpressure (kg/h) with hood Ø 60 mm	105	90	60	40	13
Fuel consumption (l/h)	0.28	0.23	0.15	0.10	–
Elektr. power consumption (watt)					
in operation (12 and 24 volt)	34	22	12	8	5
at start (12 and 24 volt)	≤100				
Rated voltage	12 or 24 volt				
Operating range					
Lower voltage limit: An undervoltage protection in the controller switches off the heater when the voltage limit is reached.	approx. 10.5 volt resp. 21 volt Undervoltage protection trigger time: 20 seconds				
Upper voltage limit: An overvoltage protection in the controller switches off the heater when the voltage limit is reached.	approx. 16 volt resp. 32 volt Overvoltage protection trigger time: 20 seconds				
Fuel	Diesel DIN EN 590 (commercially available)				
Tolerable ambient temperature	in operation		no operation		
	Heater	–40 °C to +70 °C	–40 °C to +85 °C		
	Dosing pump	–40 °C to +50 °C	–40 °C to +125 °C		
Maximum air intake temperature	max. +40 °C				
Interference suppression	Interference suppression class 5 to DIN EN 55 025				
Weight	approx. 2.7 kg				
Ventilation mode	possible				



#### Caution!

#### Safety instructions for technical data!

Failure to comply with the technical data can result in malfunctions.

#### Please note!

Provided no limit values are given, the technical data listed is subject to the tolerances usually applicable to heaters of ±10% for nominal voltage, ambient temperature 20 °C and reference altitude Esslingen.





### 3 Technical data

#### Technical data

Heater type		Airtronic M				
Heater		Airtronic B4				
Version		B4				
Heating medium		Air				
Control of the heat flow		Stage				
		Power	Large	Medium	Small	Off
Heat flow (watt)		3800	3200	2100	1300	–
Heater air flow rate without counterpressure (kg/h) with hood Ø 90 mm		185	160	120	85	24
Fuel consumption (l/h)		0.54	0.46	0.29	0.18	–
Elektr. power consumption (watt)		≤100				
in operation (12 and 24 volt)						
at start (12 and 24 volt)		≤100				
Rated voltage		12 volt				
Operating range		approx. 10.5 volt				
Lower voltage limit: An undervoltage protection in the controller switches off the heater when the voltage limit is reached.		Undervoltage protection trigger time: 20 seconds				
Upper voltage limit: An overvoltage protection in the controller switches off the heater when the voltage limit is reached.		16 volt				
		Overvoltage protection trigger time: 20 seconds				
Fuel		Petrol DIN EN 228 (commercially available)				
Tolerable ambient temperature		in operation			no operation	
		Heater		–40 °C to +50 °C	–40 °C to +85 °C	
		Dosing pump		–40 °C to +20 °C	–40 °C to +125 °C	
Maximum air intake temperature		max. +40 °C				
Interference suppression		Interference suppression class 5 to DIN EN 55 025				
Weight		ca. 4.5 kg				
Ventilation mode		possible				



#### Caution!

#### Safety instructions for technical data!

Failure to comply with the technical data can result in malfunctions.

#### Please note!

Provided no limit values are given, the technical data listed is subject to the tolerances usually applicable to heaters of ±10% for nominal voltage, ambient temperature 20 °C and reference altitude Esslingen.

### 3 Technical data

#### Technical data

Heater type		<b>Airtronic M</b>				
Heater		Airtronic D3 / Airtronic D4 / Airtronic D4 Plus				
Version		D3 / D4 / D4 Plus				
Heating medium		Air				
Control of the heat flow		Stage				
		Power	Large	Medium	Small	Off
Heat flow (watt)	D3	3000	2200	1600	900	–
	D4	4000	3000	2000	900	–
	D4 Plus	4000	3000	2000	900	–
Heater air flow rate without counterpressure (kg/h)						
	D3 with hood Ø 90 mm	150	120	90	60	24
	D4 with hood Ø 90 mm	185	150	110	60	24
	D4 Plus with hood Ø 75 mm	175	140	100	55	22
Fuel consumption (l/h)	D3	0.38	0.28	0.2	0.11	–
	D4	0.51	0.38	0.25	0.11	–
	D4 Plus	0.51	0.38	0.25	0.11	–
Elektr. power consumption (watt) in operation (12 and 24 volt)	D3	24	16	10	7	5
	D4	40	24	13	7	5
	D4 Plus	55	30	16	7	5
at start (12 and 24 volt)		≤100				
Rated voltage		12 or 24 volt				
Operating range Lower voltage limit: An undervoltage protection in the controller switches off the heater when the voltage limit is reached.		approx. 10.5 volt resp. 21 volt Undervoltage protection trigger time: 20 seconds				
Upper voltage limit: An overvoltage protection in the controller switches off the heater when the voltage limit is reached.		approx. 16 volt resp. 32 volt Overvoltage protection trigger time: 20 seconds				
Fuel		Diesel DIN EN 590 (commercially available)				
Tolerable ambient temperature		in operation		no operation		
		Heater	–40 °C to +70 °C	–40 °C to +85 °C		
		Dosing pump	–40 °C to +50 °C	–40 °C to +125 °C		
Maximum air intake temperature		max. +40 °C				
Interference suppression		Interference suppression class 5 to DIN EN 55 025				
Weight		approx. 4.5 kg				
Ventilation mode		possible				

**Please note!**

Provided no limit values are given, the technical data listed is subject to the tolerances usually applicable to heaters of ±10% for nominal voltage, ambient temperature 20 °C and reference altitude Esslingen.



**Caution!**

**Safety instructions for technical data!**

Failure to comply with the technical data can result in malfunctions.



### 3 Technical data

#### Technical data

Heater type		Airtronic M				
Heater		Airtronic D4S / Airtronic D4 Camper / Airtronic D4 Camper Plus				
Version		D4S / D4 Camper / D4 Camper Plus				
Heating medium		Air				
Control of the heat flow		Stage				
		Power	Large	Medium	Small	Off
Heat flow (watt)	D4S	3500	3000	2000	1000	–
	D4 Camper / D4 Camper Plus	4000 / 3500	3000	2000	900	–
Heater air flow rate without counterpressure (kg/h)	D4S	160	140	100	60	22
	D4 Camper / D4 Camper Plus	185 / 160	150 / 140	110 / 100	60 / 55	24 / 22
Fuel consumption (l/h)	D4S	0.44	0.38	0.25	0.13	–
	D4 Camper / D4 Camper Plus	0.51 / 0.44	0.38	0.25	0.11	–
Elektr. power consumption (watt)	D4S	40	30	16	8	5
	in operation (12 and 24 v) D4 Camper / D4 Camper Plus	40	24 / 30	13 / 16	7 / 8	5
	at start (12 and 24 v)	≤100				
Rated voltage		12 or 24 volt				
Operating range		approx. 10.5 volt resp. 21 volt Undervoltage protection trigger time: 20 seconds				
Lower voltage limit: An undervoltage protection in the controller switches off the heater when the voltage limit is reached.						
Upper voltage limit: An overvoltage protection in the controller switches off the heater when the voltage limit is reached.		approx. 16 volt resp. 32 volt Overvoltage protection trigger time: 20 seconds				
Fuel		Diesel DIN EN 590 (commercially available)				
Tolerable ambient temperature		in operation		no operation		
		Heater		–40 °C to +85 °C		
		Dosing pump		–40 °C to +125 °C		
Maximum air intake temperature		max. +40 °C				
Interference suppression		Interference suppression class 5 to DIN EN 55 025				
Weight		approx. 4.5 kg				
Ventilation mode		possible				



#### Caution!

#### Safety instructions for technical data!

Failure to comply with the technical data can result in malfunctions.

#### Please note!

Provided no limit values are given, the technical data listed is subject to the tolerances usually applicable to heaters of ±10% for nominal voltage, ambient temperature 20 °C and reference altitude Esslingen.

### 3 Technical data

#### Check values

##### Test speed for the blower

##### Airtronic D2 / D2 Camper (12 volt / 24 volt)

- 12 volt 5000 rpm  $\pm 25\%$  at U = 10,0 volt
- 24 volt 5000 rpm  $\pm 25\%$  at U = 18,0 volt

##### Airtronic B4 (12 volt)

##### Airtronic D3 / D3 Camper (12 volt)

##### Airtronic D4 (12 volt / 24 volt)

##### Airtronic D4 Camper (12 volt)

- 12 volt 4400 rpm  $\pm 25\%$  at U = 10,0 volt
- 24 volt 4400 rpm  $\pm 25\%$  at U = 18,5 volt

##### Airtronic D4S / Airtronic D4 Plus (12 volt / 24 volt)

##### Airtronic D4 Camper Plus (12 volt)

- 12 volt 4400 rpm  $\pm 25\%$  at U = 10,5 volt
- 24 volt 4400 rpm  $\pm 25\%$  at U = 19,0 volt

Resistance values at 20 °C	12 volt	24 volt
Glow plug	0.42 $\Omega$ – 0.70 $\Omega$	1.2 $\Omega$ – 2.0 $\Omega$
Dosing pump	9.5 $\Omega$ $\pm 0.50$ $\Omega$	36.0 $\Omega$ $\pm 1.8$ $\Omega$

Control unit resistance values	Switch position, left limit stop	Switch position, right limit stop
Control device 12 volt / 24 volt	min. 1720 $\Omega$ max. 1760 $\Omega$	min. 2096 $\Omega$ max. 2216 $\Omega$
Modular timer and mini-controller 12 volt / 24 volt	min. 1730 $\Omega$ max. 1780 $\Omega$	min. 2120 $\Omega$ max. 2240 $\Omega$

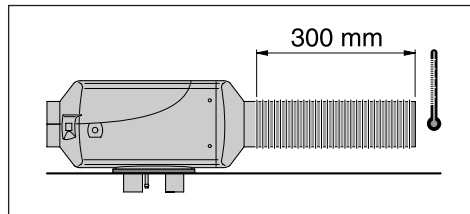
##### Switching value

Overheating sensor 140 °C – 170 °C  
measured in the “High” control stage  
and at a distance of 300 mm  
from the hot air outlet

##### Exhaust emission specification

##### CO<sub>2</sub> in exhaust

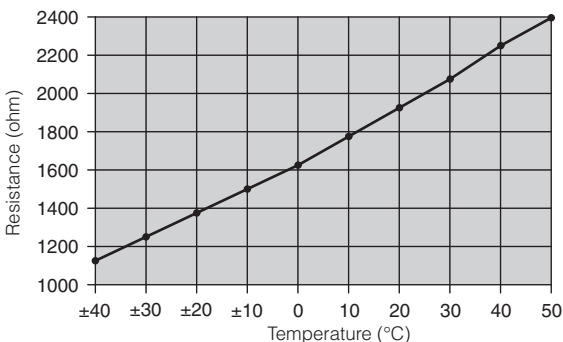
in control stage “high” 7,5 – 12,5 Vol. %  
Smoke spot number according to Bacharach < 4



##### Check “external” temperature sensor

(Order No.: 25 1774 89 03 00)

The “external” temperature sensor test must be carried out using a digital multimeter. If the resistance value is not the same as the curve in the diagram or the table of values, replace the temperature sensor.



##### Table of values – “external” temperature sensor

Temperature °C	Resistance $\Omega$	
	min.	max.
0	1600	1660
5	1670	1730
10	1745	1800
15	1820	1870
20	1895	1950
25	1970	2030
30	2050	2110
35	2130	2190
40	2210	2280
45	2295	2370



## 4 Troubleshooting

### What to check first in case of faults

#### • Check

- Fuel in the tank?
- Fuel pipes leaking? (visual check)
- Summer diesel in the fuel pipe?
- Combustion air system or exhaust system damaged or blocked?
- Hot air system blocked?
- Air pressure sensor installed? If yes, refer to „What to do if...?“ chapter of the „Altitude Kit“ installation instructions.
- New generation control box installed?  
Features:
  - > Cable loom of control box wound with cable tie
  - > Temperature sensor mounted on the side of the control box (visible when cover removed)

#### • Electrical components

- Cables, connections damaged?
- Contacts corroded?
- Fuses defective?
- Incorrect wiring? (short circuits, interrupted / broken)

#### • Measure battery voltage

- Battery voltage < 10.5 volt, the undervoltage protection of the 12 volt heater has triggered.
- Battery voltage < 21 volt, the un

#### • Measure voltage supply (CI 30)

Disconnect the 16-pin connector S1 / B1 and measure the voltage applied at connector B1 between chamber 1 (cable 2.5<sup>2</sup> rt) and chamber 10 (cable 2.5<sup>2</sup> br).

If it differs from the battery voltage, check the fuses, the supply cables, the negative connection and the positive support point on the battery for voltage drop (corrosion / interruption).

#### • Check switch-on signal

Disconnect the 16-pin connector S1 / B1 and then switch on the heater at the control unit.

Check whether voltage is applied in the connector B1 between chamber 4 (cable 0.5<sup>2</sup> ge) and chamber 10 (cable 2.5<sup>2</sup> br).

If no voltage is measured, then check the supply cable (cable 0.5<sup>2</sup> ge), the 5 A fuse (item 2.7.1 in the circuit diagram) and the control unit.

#### • Check control unit

##### **Control device, mini-timer, mini-controller and modular timer**

Disconnect the connector at the control unit; install a jumper between the red 0.5<sup>2</sup> rt cable and the yellow 0.5<sup>2</sup> ge cable.

If a voltage is measured in connector B1 between chamber 4 (cable 0.5<sup>2</sup> ge) and chamber 10 (cable 2.5<sup>2</sup> br), then replace the control unit.

##### **EasyStart R+ / EasyStart R / EasyStart T**

Disconnect the connector at the control unit; install a jumper between the yellow 0.5<sup>2</sup> ge cable and the red 0.5<sup>2</sup> rt cable.

If a voltage is measured in connector B1 between chamber 8 (cable 0.5<sup>2</sup> ge) and chamber 10 (cable 2.5<sup>2</sup> br), then replace the control unit.

## 4 Troubleshooting

### Overview of the test equipment and control units suitable for diagnosis

The electronic control box can store up to 5 faults, which can be read out and displayed. The following test equipment and/or control units can be used to query the fault memory in the control box and if necessary to delete the locking of the control box:

Test equipment	Order No.:
• Testing device for the control device	22 1509 89 00 00
• Diagnostic unit additionally required: Adapter cable	22 1529 89 00 00 22 1000 31 86 00
• EDiTH diagnostic tool	
– Basic adapter with software additionally required: Airtronic extension	22 1542 89 00 00 22 1537 89 00 00
– ISO-adapter additionally required: Adapter cable	22 1541 89 00 00 22 1000 31 86 00
– „Air pressure sensor“ adapter cable	22 1000 33 31 00
Only for heaters with connected air pressure sensor for reading out the „air pressure sensor“ fault memory.	

If a diagnostics cable is connected, the following control units can also be used:

Control units	Order No.:
• Module timer	22 1000 30 34 00
• TP5 radio remote control	22 1000 32 01 00
• EasyStart T	22 1000 32 88 00
• EasyStart R+	22 1000 32 80 00

#### Please note!

If the fault memory cannot be read out, check the diagnostics cable for correct laying and possible damage.

### Important notes on diagnosis of heaters with mini-controller control unit




#### Caution!

When checking the heater with the diagnostics unit or the EDiTH diagnostics tool the order given in the following notes must always be followed as otherwise the heater detects Error 62 (control unit – interruption) and switches to emergency operation.


#### Mini-controller in stand-alone operation

- Connect adapter cable 22 1000 31 86 00 as described in the operating instruction.
- Select operating mode (Heat / Ventilate) at the mini-controller
- Perform diagnosis using the diagnostics unit or the EDiTH diagnostics tool.
- Switch off the mini-controller after finishing the diagnosis
- Remove the adapter cable

#### Mini-controller in combination with mini-timer

- Connect adapter cable 22 1000 31 86 00 as described in the operating instruction.
- Press the  button of the mini-timer
- Select operating mode (see mini-timer operating instructions)
- Perform diagnosis using the diagnostics unit or the EDiTH diagnostics tool.
- Switch off the mini-timer after finishing the diagnosis
- Remove the adapter cable

#### Mini-controller in combination with TP5

- Connect adapter cable 22 1000 31 86 00 as described in the operating instruction.
- Press the  button of the TP5 radio remote control
- Select operating mode (see TP5 radio remote control operating instruction)
- Perform diagnosis.
- Switch off TP5 radio remote control after finishing the diagnosis
- Remove the adapter cable

#### Please note!

If the operating mode is to be changed during the test the heater must be switched off first using the diagnostics unit or the EDiTH diagnostics tool, otherwise the heater detects Error 62 (control unit – interruption) and switches to emergency operation.

#### Test mini controller

The mini-controller must be connected to the heater for testing. The setpoint value can be displayed using the EDiTH diagnostics tool. If the rotary knob is at the left limit stop the setpoint value is 8 °C, at the right limit stop it is 34 °C.

#### Please note!

The resistance of the setpoint value potentiometer cannot be measured directly. The measured values are not meaningful.

## 4 Troubleshooting

### Testing device for the control device

(Order No.: 22 1509 89 00 00)

#### Prepare for test

Connect the correct operating voltage (12 or 24 volt) to the testing device, with plus at the red connector socket and minus at the blue connector socket.

- Disconnect socket from the control unit.
- Connect cable loom from testing device with the control unit.
- Set the rotary knob of the control unit to "Heat", the corresponding red LED in the testing device must light up.
- Set control unit to "0", then press the "LED – red" button, the red control lamp in the control unit must light up.
- Set control unit to "Heat", then press the "LED – green" button, corresponding red control lamp in the testing device and the green control lamp in the control unit must light up.



#### Caution!

#### Safety instructions for checking the control unit!

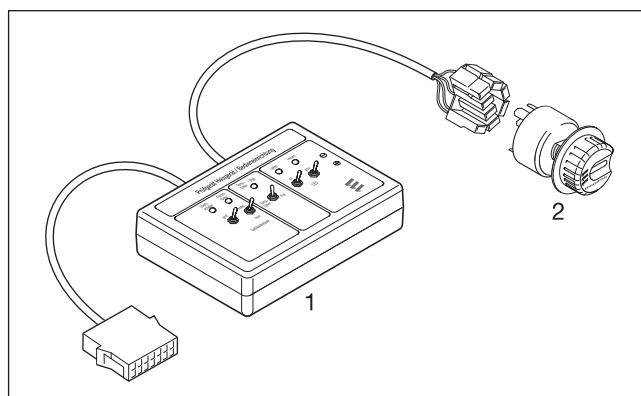
Ensure you use the correct operating voltage, otherwise the connected components can be severely damaged.

#### Check the setpoint potentiometer of the control unit

Set the "Temperature sensor / Potentiometer" switch in the testing device to the "Potentiometer" setting and slowly turn the rotary knob of the control unit.

The green LED – temperature sensor / potentiometer must light up continuously.

In case of a fault, replace the control unit.



- 1 Testing device
- 2 Control device

### Diagnostic unit

(Order No.: 22 1529 89 00 00)

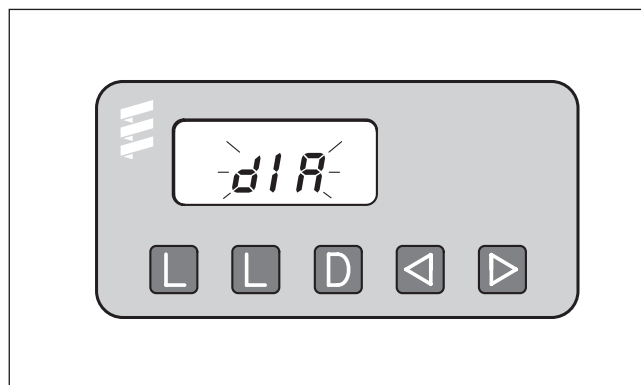
An additional adapter cable is required to connect the diagnostic unit (Order No.: 22 1000 31 86 00).

The current fault is displayed as "AF" and a 2-digit number and is always written in the memory position F1.

Preceding faults are moved to the memory locations F2 – F5, if necessary the contents of memory position F5 is overwritten.

#### Please note!

- Not only the defective component, but also a defective current circuit results in a fault being displayed.
- In heaters with connected air pressure sensor the diagnostics unit can be used to read out the fault memory of the heater only.  
The fault memory of the „air pressure sensor“ can be read out using the EDITH diagnostics tool only.
- Fault code, fault description, cause / remedial action are described on Pages 23 – 27.



- L –Delete fault memory
- L –Delete fault memory
- D –Switch heater on / off, request diagnosis
- ← –Reverse, F5 – F1
- –Forward, F1 – F5, current fault (AF)

Connect diagnostics unit, see page 16.



## 4 Troubleshooting

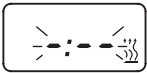
### Connect diagnostic unit

- Disconnect the 8-pin connector of the heater's cable harness and connect the adapter cable.
- Connect the diagnostic unit to the adapter cable.  
Display is as follows:



### Query fault memory

- Use the **[D]** key to switch on the heater.  
Display is as follows:



- After 8 sec the following is displayed:  
Display is as follows:



Heater has no malfunction

or



e.g. current error / fault code 64

or



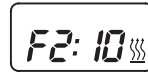
Fault diagnosis not possible

Possible causes:

- Adapter cable is not properly connected.
- Control box is defective or is not capable of diagnosing (not a universal control box).

### Display of the fault memory F1 – F5 or F5 – F1

- Press the **[<]** or **[>]** button, or press several times, to display the fault memory.  
Display is as follows:



e.g. fault memory 2 / fault code 10

### Please note!

Only the fault memory positions with an error assigned to them are displayed.

### Delete fault memory

- Press both **[L]** buttons simultaneously until the following appears in the display:  
Display is as follows:



- If the fault memory has been deleted the most recent current fault is displayed. The current fault is not reset to 00 until the heater is restarted – provided there is no new, more recent fault.

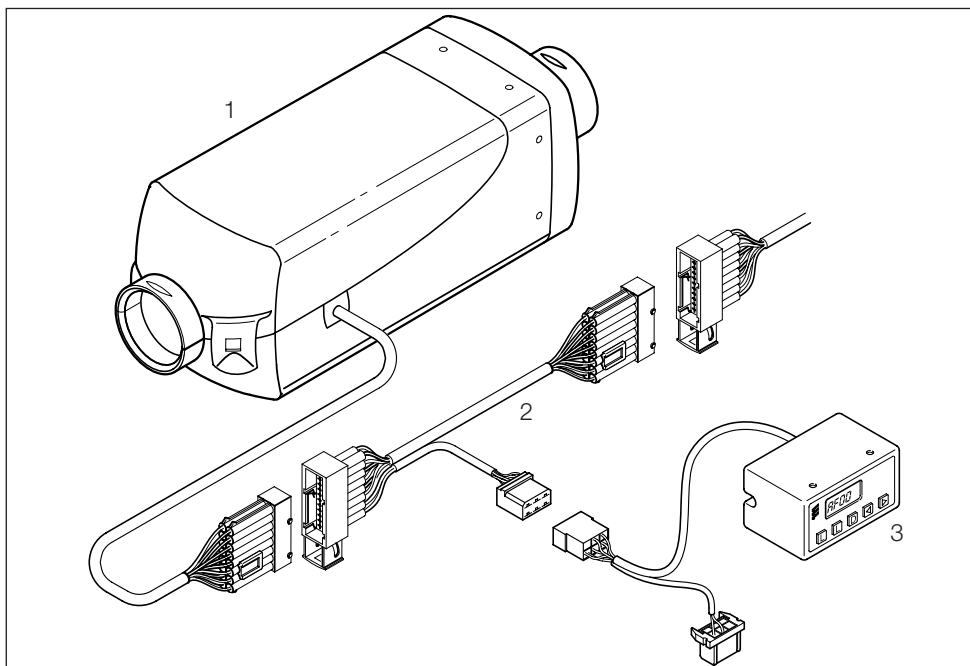
Display is as follows:



Heater has no malfunction

### Cancel the control box lock

- Delete the fault memory as described and switch off the heater using the **d** key.
- The control box lock is cancelled and the diagnosis closed.  
Display is as follows:



- 1 Heater
- 2 Adapter cable
- 3 Diagnostic unit

## 4 Troubleshooting

### EDiTH diagnostic tool with ISO adapter

(Order No.: 22 1541 89 00 00)

An additional adapter cable is required to connect the ISO adapter (Order No.: 22 1000 31 86 00).

#### Please note!

- It is very important to always install in the given order.
- Not only the defective component, but also a defective current circuit results in a fault being displayed.
- Fault code, fault description, cause / remedial action are described on Pages 23 – 27.
- The EDiTH diagnostics tool scope of supply does not include the software; this must be downloaded from the Service Portal.

#### Connect ISO adapter

- Disconnect the heater's cable harness.
- Connect the adapter cable to the cable harness – as shown in the sketch.
- Connect the adapter cable to the ISO adapter.
- Connect the SUB-D connection cable with the PC and the ISO adapter.

#### Installing the software on your PC

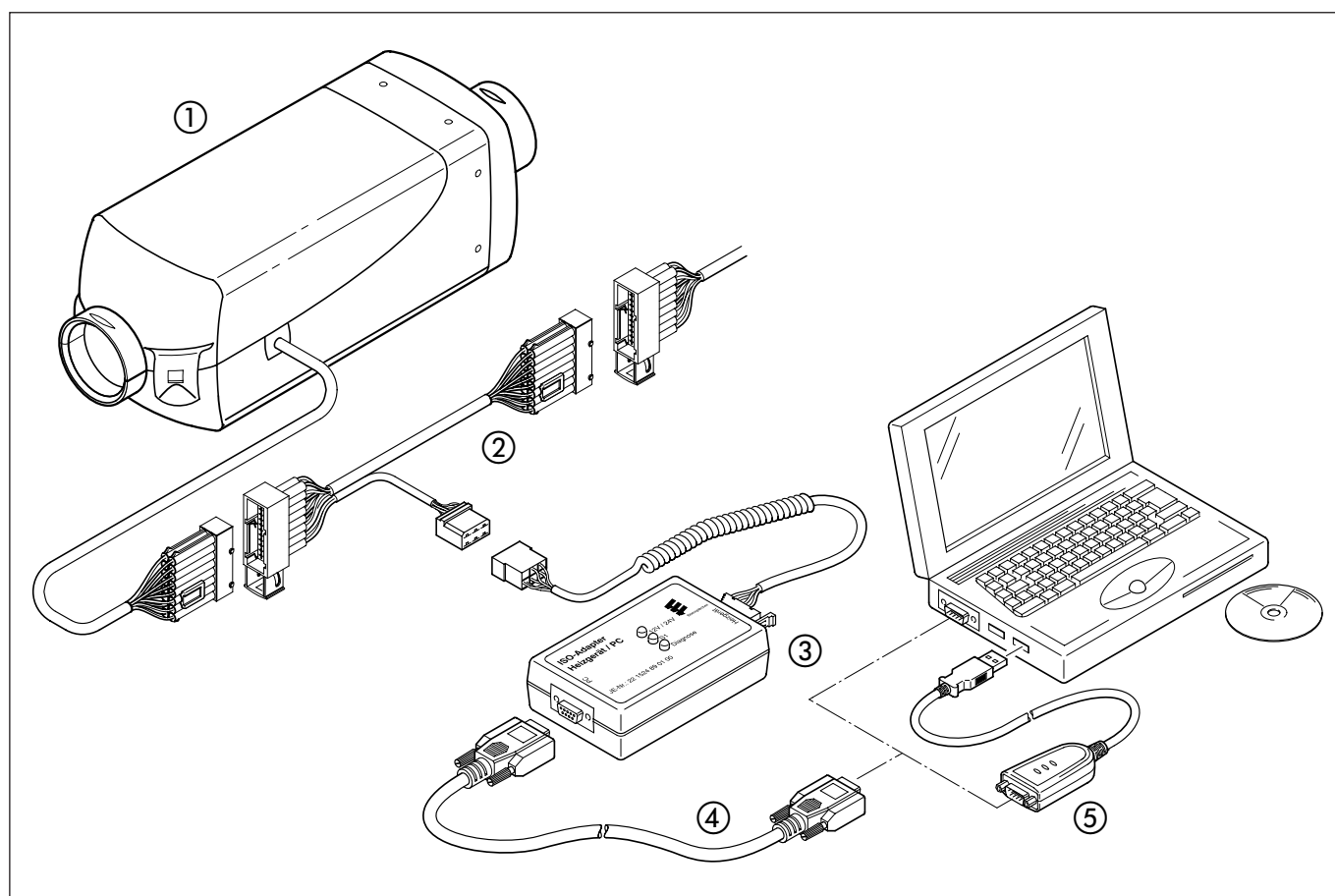
- Double click the "setup.exe" file to start the installation and following the SETUP program instructions.

#### Query / delete fault memory F1 – F5 or cancel the control box lock

- Start the software on your PC:
  - on the desktop → double click the "EDiTH" icon
  - Select heater type
  - Press the "GO" button.
- Delete fault memory or cancel the control box lock:
  - press the "Delete fault memory" button
  - the stored faults F1 – F5 are deleted and the control box is unlocked.

#### Quit diagnosis

- Press the "STOP" button → fault memory query is ended.



- 1 Heater
- 2 Adapter cable
- 3 ISO adapter

- 4 SUB-D connection cable
- 5 USB to Serial RS-232 adapter

## 4 Troubleshooting

### Air pressure sensor diagnosis using EDiTH diagnostics tool and ISO adapter

(Order No. 22 1524 89 00 00)

An additional adapter cable is required to connect the ISO adapter (Order No.: 22 1000 33 31 00).

The air pressure sensor connected to the heater can be diagnosed. If faults occur during the altitude adjustment they are stored in the air pressure sensor. If necessary, faults can be read out using the ISO adapter in conjunction with the EDiTH diagnostics tool – from Version S3V7-F – and the additionally necessary adapter cable.

#### Please note!

- It is very important to always install in the given order.
- Not only the defective component, but also a defective current circuit results in a fault being displayed.
- Fault code, fault description, cause / remedial action are described on pages 27.
- The EDiTH diagnostics tool scope of supply does not include the software; this must be downloaded from the Service Portal.

#### Perform diagnosis of the air pressure sensor

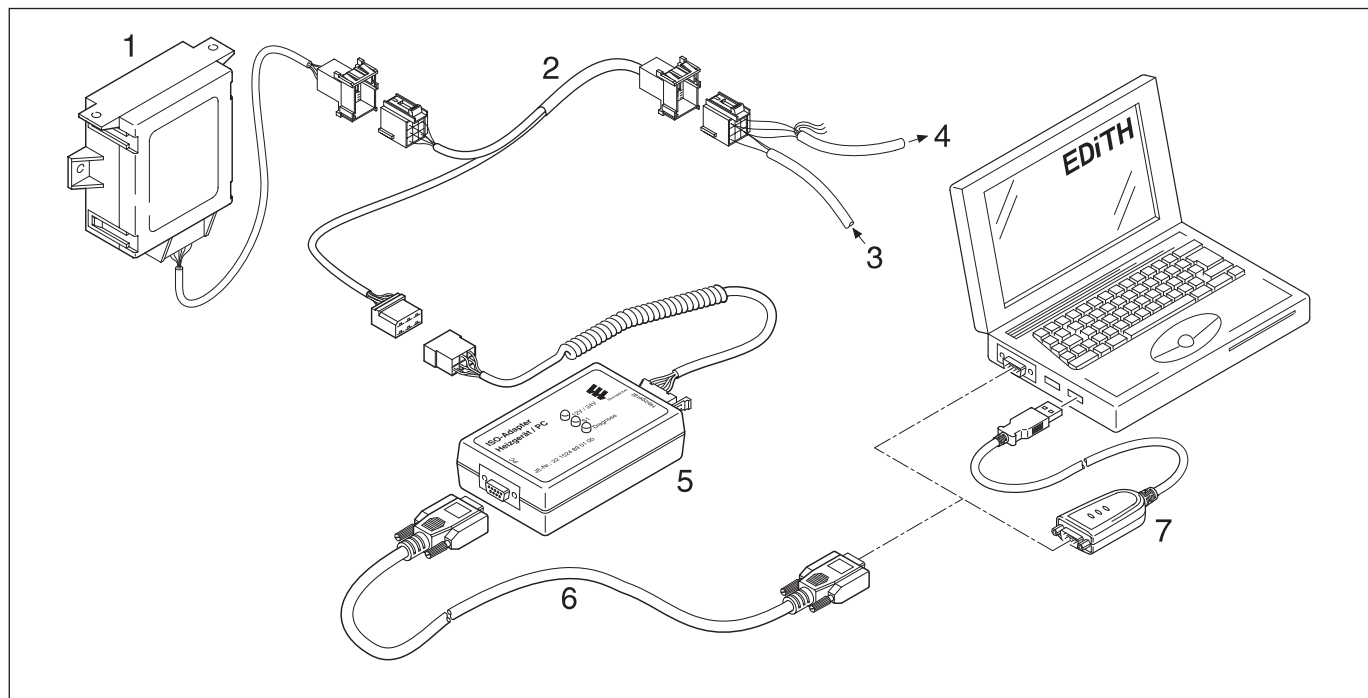
Disconnect the connector between the air pressure sensor / heater, control unit, connect the ISO adapter with the adapter cable (see sketch).

Start the diagnosis of the air pressure sensor.

- Double-click the >>EDiTH<< icon on the desktop.
- Select the air pressure sensor in the »Heater and Test Selection«.

The following actions are possible:

- Read out the current fault and the fault memory.
  - Delete the fault memory.
  - Query the current measured air pressure.
  - Query the operating state.
  - Query the general data.
  - Print out the fault memory and / or the general data
- Exit the diagnosis with the »Stop« button or by closing all windows.
    - Selection: Save analysis / Do not save analysis
  - Remove ISO adapter and adapter cable from the lead harness and reconnect the air pressure sensor / heater, control unit connector.



- 1 Air pressure sensor
- 2 Adapter cable
- 3 Cable loom from heater
- 4 Cable loom to control unit

- 5 ISO adapter
- 6 SUB-D connection cable
- 7 USB to Serial RS-232 adapter

## 4 Troubleshooting

### EDiTH diagnostic tool with basic adapter

EDiTH basic adapter (Order No.: 22 1542 89 00 00)

An additional extension is required to check the control box (Order No.: 22 1537 89 00 00).

#### Please note!

- It is important to always follow the precise connection order as given below!
- The Hall sensor integrated in the control box can only be properly tested in the control box is correctly placed on the extension.
- Only push or pull on the connectors, not on the cables!
- Only use the network cable and RS232 cable with snap ferrites included in the scope of supply. Use original accessories with snap ferrites only to connect the test equipment.
- Not only the defective component, but also a defective current circuit results in a fault being displayed.
- Fault code, fault description, cause / remedial action are described on Pages 23 – 27.

#### **Caution!** **Magnetic field!**

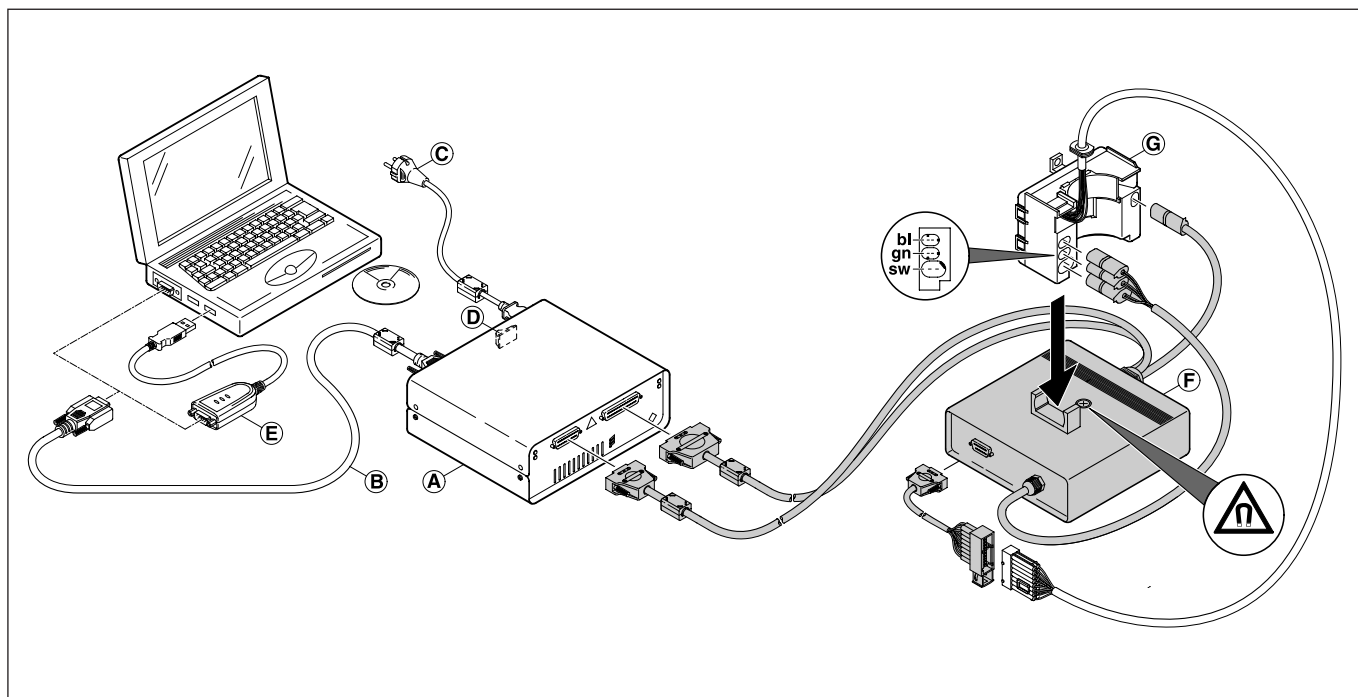
During the test operation a magnetic field develops at the adapter. Therefore, do not place any objects such as data media, credit cards, etc. on the adapter or in its immediate vicinity.

#### Connect basic adapter

- Start computer and wait until the system has successfully booted.
- Start PC software.
- Insert the unit connector of the mains cable in the basic adapter (A) and connect the mains connection (C) to the mains.
- Connect the SUB-D connection cable (B) with the PC and basic adapter (A).

#### Connect extension and test control box

- Connect the extension to the basic adapter (A).
- Connect the control box (E) to the extension and the adapter (F).
- Switch on the basic adapter (A) at the mains switch (D).
- Select the control box version and operating voltage (12 V / 24 V) in the PC software.
- Start the control box test with the PC software. A more detailed description of how to operate the basic adapters (A) is given in the EDiTH online help.



- (A) Basic adapter
- (B) SUB-D connection cable
- (C) Mains connection
- (D) Mains switch
- (E) USB to Serial RS-232 adapter
- (F) Adapter
- (G) Control box

#### Cable colours

- sw = black
- gn = green
- bl = blue

## 4 Troubleshooting

### Module timer

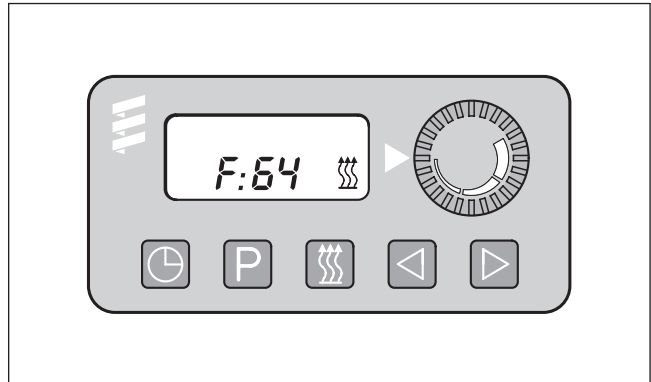
(Order No.: 22 1000 30 34 00)

The current fault is displayed as "AF" and is always written in memory position F1.

Preceding faults are moved to the memory locations F2 – F5, if necessary the contents of memory position F5 is overwritten.

#### Please note!

- Not only the defective component, but also a defective current circuit results in a fault being displayed.
- In heaters with connected air pressure sensor the modular timer cannot be used to perform diagnoses. The diagnostics unit or the EDiTH diagnostics tool must be used to perform the diagnosis.  
The fault memory of the „air pressure sensor“ can be read out using the EDiTH diagnostics tool only.
- Fault code, fault description, cause / remedial action are described on Pages 23 – 27.



- Time
- Preset
- Heat
- Reverse
- Forward

### Query fault memory F1 – F5

Condition:

The heater is switched off.

- Press key -> the heater is switched on.
- Press key and keep pressed, then press key within 2 seconds.  
Display is as follows:  
AF = current fault  
3 digit number = fault code  
 flashes.
- Press f key once or several times, fault memory positions F1 – F5 are displayed.

### Cancel the control box lock and simultaneously delete the fault memory

Condition:

An electrical connection exists from terminal 15 (ignition) to the module timer, 12-pin connector, chamber 10.

- Press key  
Display is as follows:  
the current fault F15 or F50.
- Press button a, keep it depressed and then press button p within 2 seconds.

The module timer is now in the "Query fault memory" program.

- Switch off ignition (terminal 15).
- Simultaneously press button and button , in addition, switch on the ignition (terminal 15) and wait until the following appears in the display.

After ignition "ON" the following appears in the display:



Display flashes,  
Heater symbol does not flash

- Switch the heater off and on -> the control box is unlocked, the heater restarts.

After switching the heater off and on and renewed query of the fault memory, the following appears in the display:



Display flashes,  
Heater symbol does not flash



## 4 Troubleshooting

### TP5 radio remote control

(Order No: 22 1000 32 01 00)

If faults occur while the heater is running, they are displayed with "Err" after the mobile unit is activated.

After the diagnostics cable (bl/ws) has been connected and the first logs have arrived at the stationary unit, the diagnose can be carried out using the mobile unit of the TP5 radio remote control.

The current fault "F0" is displayed. The stored faults "F1" to "F5" can be queried.

#### Please note!

- In order to carry out the diagnosis, the diagnostics cable (bl/ws) must be connected to the stationary unit and the heater cable harness. To this end, please refer to and follow the circuit diagram for the TP5 radio remote control and the heater.
- If the diagnostics cable (bl/ws) is not connected, the "Diagnosis" menu is blocked.
- Not only the defective component, but also a defective current circuit results in a fault being displayed.
- In heaters with connected air pressure sensor the TP5 radio remote control cannot be used to perform diagnoses. The diagnostics unit or the EDITH diagnostics tool must be used to perform the diagnosis.  
The fault memory of the „air pressure sensor“ can be read out using the EDITH diagnostics tool only.
- Fault code, fault description, cause / remedial action are described on Pages 23 – 27.



Button to activate / deactivate the mobile unit

Button for forward time setting

Button for backward time setting

Button for activating the possible settings

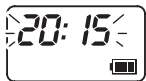
Button for switching heat / ventilate ON / OFF;  
Activate / deactivate preselected time

#### Enquire / delete fault memory

Use the key to activate the mobile unit.

Switch on the heater with the key.

Press the key twice to open the Time setting menu – the time flashes in the display.



Press the key for approx 2 sec – until the following appears in the display:



Press key.

Press key.

Press key twice.

Press key.

Malfunction in heater:



Heater has no malfunction:



Use the and buttons to call up the fault memory positions 1 to 5.



#### Delete fault memory /

#### Cancel the control box lock

Use the key to delete the fault memory.



To confirm, press the key for approx 2 sec until lights up in the display – fault memory is deleted.



## 4 Troubleshooting

### EasyStart R+ radio remote control

(Order-No.: 22 1000 32 80 00)

### EasyStart T timer

(Order-No.: 22 1000 32 88 00)

If faults occur while the heater is running, they are displayed with "Err" after the mobile unit or timer is activated.

The current fault is displayed. The stored faults "F1" to "F5" can be queried.

**Please note!**

- In order to carry out the diagnosis, the diagnostics cable (bl/wg at heater connector, bl/ws at cable harness connector) must be connected to the stationary unit and the heater cable harness. To this end, please refer to and follow the circuit diagram for the radio remote control and the heater.
- If the diagnostics cable is not connected, the "Diagnosis" menu is blocked.
- Not only the defective component, but also a defective current circuit results in a fault being displayed.
- The heater diagnosis can also be performed if the air pressure sensor is connected.  
The fault memory of the „air pressure sensor“ can be read out using the EDiTH diagnostics tool only.
- Fault code, fault description, cause / remedial action are described on Pages 23 – 27.



- ← Back control key
- Next control key
- ⏻ ON / OFF activation key mobile unit / timer
- OK OK key (symbol selection / confirm input)

### Enquire / delete fault memory

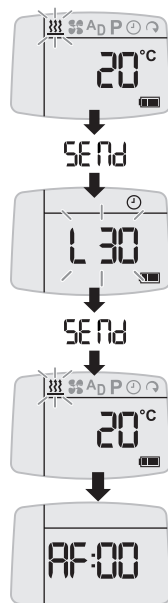
Activate mobile part / timer  
(see EasyStart R+ / EasyStart T operating instructions)

Confirm symbol with .

**Heater is switched on.**

Confirm operating time with .

Briefly press and simultaneously.



### The following actions are possible

- Call up fault memory.  
Call up the fault memory positions F1 – F5 with or .

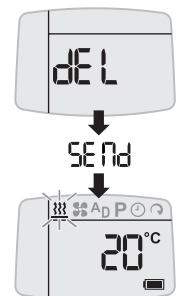
- Call up fault memory again.  
Briefly press and simultaneously.

- Delete fault memory (display dEL)  
Press .

Press again.

**The diagnosis is completed.**

**Switch off heater.**







## 4 Troubleshooting

Fault code Display	Fault description	Comments • Remedial action
000	No faults	— —
004	<b>Warning:</b> Short circuit in control box, fresh air output	<ul style="list-style-type: none"> <li>• Disconnect connector S1 / B1 at the heater and at the connector B1, PIN 16 check the cable up to the fresh air fan relay for short circuit to negative, if ok → replace control box.</li> </ul>
005	<b>Warning:</b> Short circuit in control box, car alarm output	<ul style="list-style-type: none"> <li>• Disconnect connector S1 / B1 at the heater and at the connector B1, PIN 15 check the cable up to the relay isolating switch or burglar alarm system input for short circuit to negative, if ok → replace control box.</li> </ul>
006	<b>Warning:</b> Inexplicable atmospheric altitude information (Display only if heaters labelled "H-Kit" on the nameplate.)	<p>Control box has not received any explicable altitude information.</p> <ul style="list-style-type: none"> <li>• Read out fault memory in the air pressure sensor using the EDiTH diagnostics tool and correct fault.</li> </ul>
009	Cut-off ADR	ADR shutdown due to signal change from (+) to (-) at connector S1, PIN 13 (D+) or plus signal at connector S1, PIN 14 (HA+).
010	Overvoltage – cut-off	<p>Overvoltage applied to control box for at least 20 seconds without interruption – heater not working.</p> <ul style="list-style-type: none"> <li>• Disconnect connector S1 / B1 at the heater, start the vehicle's engine, measure the voltage at connector B1 between PIN 1 (cable 2.5<sup>2</sup> rt) and PIN 10 (cable 2.5<sup>2</sup> br).</li> </ul> <p>Airtronic 12 volt – voltage &gt;16 volt → check generator regulator Airtronic 24 volt – voltage &gt;32 volt → check generator regulator</p>
011	Undervoltage – cut-off	<p>Undervoltage applied to control box for at least 20 seconds without interruption – heater not working.</p> <ul style="list-style-type: none"> <li>• Disconnect connector S1 / B1 at the heater, the vehicle's engine is switched off, measure the voltage at connector B1 between PIN 1 (cable 2.5<sup>2</sup> rt) and PIN 10 (cable 2.5<sup>2</sup> br).</li> </ul> <p>The measured value and the voltage at the battery should be the same. In case of a voltage drop, check the fuses, the supply cables, the negative connections and the positive support point on the battery for corrosion and correct contact.</p>
012	Overheating at the overheating sensor	<p>Temperature of the overheating sensor too high.</p> <ul style="list-style-type: none"> <li>• Check hot air pipes for blockage → remove blockage.</li> <li>• Sum of the component ratings of air-conducting parts is too large → Check air system, if necessary re-lay – for component ratings, please refer to additional parts catalogue.</li> <li>• Check overheating sensor, for diagram and table of values please refer to Page 32, if ok → measure fuel quantity, see Page 36.</li> </ul>
013	Overheating at the flame sensor	<p>Flame sensor signals temperature at heat exchanger is too high.</p> <ul style="list-style-type: none"> <li>• Check hot air pipes for blockage → remove blockage.</li> <li>• Sum of the component ratings of air-conducting parts is too large → Check air system, if necessary re-lay – for component ratings, please refer to additional parts catalogue.</li> <li>• Check flame sensor, if ok → check overheating sensor, if overheating sensor defective → replace combination sensor, if overheating sensor ok → measure fuel quantity, see Page 36, for diagram and table of values for flame sensor and overheating sensor please refer to Page 32.</li> </ul>
014	Temperature difference between flame sensor and overheating sensor too large	<p>Temperature difference between flame sensor and overheating sensor too large</p> <ul style="list-style-type: none"> <li>• Check hot air pipes for blockage → remove blockage.</li> <li>• Sum of the component ratings of air-conducting parts is too large → Check air system, if necessary re-lay – for component ratings, please refer to additional parts catalogue.</li> <li>• Check flame sensor, if ok → check overheating sensor, if overheating sensor defective → replace combination sensor, if overheating sensor ok → measure fuel quantity, see Page 36, if fuel quantity ok → replace control box. For diagram and table of values for flame sensor and overheating sensor, see Page 32.</li> </ul>

## 4 Troubleshooting

Fault code Display	Fault description	Comments • Remedial action
015	Operating lock-out	The fault code 015 is displayed, if the heater was switched back on after the fault code display 017. The hardware threshold value for the overheating sensor has been exceeded → the control box is locked. • Replace control box.
017	Overheating	The hardware threshold value for the overheating sensor has been exceeded, because the control box failed to recognise the fault code 012 or 013 → the control box is locked. If the heater is switched on again, the fault code 015 is displayed. • Replace control box.
018	Starting energy of the glow plug is too low (Display only if heaters labelled "H-Kit" on the nameplate.)	• Check glow plug (see fault code 020 and 021), if ok • Check glow plug cable harness for correct laying and damage, if ok → check cable harness for continuity, if ok → replace control box.
019	Ignition energy too low	• Check glow plug (see fault code 020 and 021), if ok • Check glow plug cable harness for correct laying and damage, if ok → check cable harness for continuity, if ok → replace control box.
020	Glow plug – interruption	• Check glow plug for function and continuity at ambient temperature 20 °C. 12 volt heater – 0.42 Ω up to ± 0.7 Ω 24 volt heater – 1.2 Ω up to ± 2.0 Ω
021	Glow plug – short circuit, overload or short circuit after negative	• If the values are ok → check glow plug lead harness for damage and continuity, if ok → replace control box.
022*	Glow plug, output (+) – short circuit after U <sub>B</sub> (battery voltage)	• Check glow plug lead harness for correct laying and damage, if ok → check lead harness for continuity, if ok → replace control box.
025*	Diagnostics cable bl/ws – short circuit – after U <sub>B</sub> (battery voltage)	Fault code display is not possible. This fault code cannot be read out from the fault memory until the fault has been corrected. • Check diagnostics cable for correct laying and possible damage.
031	Blower – interruption	• Check that the lead harness of the blower motor has been correctly laid and check for damage, if ok → remove lead harness at control box and check for continuity, if ok → replace control box.
032	Blower motor – short circuit after negative <b>Please note!</b> Ensure compliance with the test voltage (see page 12). The component is destroyed if the voltage value is exceeded. <b>Ensure the power pack has adequate short-circuit resistance – min 20 A.</b>	• Carry out functional test on the blower motor, to do this remove the connector from the control box. Apply a test voltage (see page 12) to the blower motor and measure the current intensity after 40 sec. Current intensity < 6.5 A – blower motor ok → replace control box. Current intensity > 6.5 A → replace blower. • Check wiring for short circuit.
033	Blower motor won't rotate or short circuit after negative <b>Please note!</b> Ensure compliance with the test voltage (see page 12). The component is destroyed if the voltage value is exceeded. <b>Ensure the power pack has adequate short-circuit resistance – min 20 A.</b>	Speed deviation > 10 % from setpoint value for longer than 30 seconds. Use a non-contact r.p.m. counter to measure the speed of the combustion air fan (see page 12 for test speed and test voltage). • Speed too low: Blower blocks – check blower for free running, if necessary remove foreign body, if ok → check blower (see fault code 032). • Speed too high: – Magnet missing from blower impeller → replace blower. – Speed sensor in control box is defective → replace control box. • Check wiring for short circuit.

\* This fault code or ohmic value is valid for a new generation control box only. This differs from the control box to date by its cable loom wrapped in cable tape and by a temperature sensor mounted on the side, which becomes visible when the cover is removed.



## 4 Troubleshooting

Fault code Display	Fault description	Comments • Remedial action
034*	Blower motor, outlet (+) short circuit after $U_B$ (battery voltage)	<ul style="list-style-type: none"> <li>• Check that the lead harness of the blower motor has been correctly laid and check for damage, if ok → remove lead harness at control box and check for continuity, if ok → replace control box.</li> </ul>
047	Metering pump – short circuit or overload	<ul style="list-style-type: none"> <li>• Remove connector from the metering pump, if the fault code 048 (interruption) is displayed the metering pump is defective → replace metering pump.</li> <li>• If the fault code 047 continues to be displayed, disconnect connector S1 / B1 at the heater, and at the connector B1, PIN 5 check the cable 1<sup>2</sup> gn/rt up to the metering pump for short circuit to negative (PIN 10), if ok → replace control box.</li> </ul>
048	Metering pump – interruption	<ul style="list-style-type: none"> <li>• Disconnect connector from metering pump and measure the resistance value of the metering pump (see Page 12 for values), if resistance value ok, re-connect the cable loom to the metering pump.</li> <li>• Disconnect connector S1 / B1 at the heater and measure the resistance value (see Page 12) between PIN 5 and PIN 10, if ok → replace control box.</li> </ul>
049*	Metering pump outlet (+) Short circuit – after $U_B$ (battery voltage)	<ul style="list-style-type: none"> <li>• Check that the lead harness of the metering pump has been correctly laid and check for damage, if ok → remove lead harness and check for continuity, if ok → replace control box.</li> </ul>
050	Too many failed start attempts (operating lock-out)	<p>The control box locks after too many failed start attempts (max. 255 start attempts).</p> <ul style="list-style-type: none"> <li>• Unlock the control box by deleting the fault memory with the timer, the diagnostic unit, EDiTH diagnostic tool, the TP5 radio remote control / EasyStart R+ and the EasyStart T timer.</li> </ul>
051	Flame detected when switching on	<p>If, after being switched on, the resistance value of the flame sensor is 1274 <math>\Omega</math> (&gt; 70 °C) the heater's fan runs for approx 15 min to cool down, if the resistance does not fall below the aforementioned value within 15 min the heater is switched off.</p> <ul style="list-style-type: none"> <li>• Check flame sensor, see Page 32 for diagram and table of values, if ok → replace control box.</li> </ul>
052	Safety time exceeded	<p>No flame detected within the start phase.</p> <ul style="list-style-type: none"> <li>• Check exhaust and combustion air system.</li> <li>• Check fuel supply / measure fuel quantity, see Page 36.</li> <li>• Check spark plug (see fault code 020 and 021)</li> <li>• Check flame sensor, diagram and table of values, see Page 32, if ok → replace control box.</li> </ul>
053	Flame cutout in the	<p>The heater has ignited (flame detected) and signals flame cutout during a power stage.</p> <ul style="list-style-type: none"> <li>• Check exhaust and combustion air system.</li> <li>• Check fuel supply / measure fuel quantity, see Page 36.</li> <li>• Check flame sensor, diagram and table of values, see Page 32, if ok → replace control box.</li> </ul>
054	“POWER” control stage	
055	“HIGH” control stage	
056	“MEDIUM” control stage	
057	Flame cutout from start phase (Display only if heaters labelled “H-Kit” on the nameplate.)	<p>A flame cutout was detected during the start phase..</p> <ul style="list-style-type: none"> <li>• Check exhaust and combustion air system.</li> <li>• Check fuel supply / measure fuel quantity, see Page 36.</li> <li>• Check glow plug (see fault code 020 and 021).</li> <li>• Check flame sensor, diagram and values table, see page 32, if ok → replace control box.</li> </ul>
060	External temperature sensor – interruption	<ul style="list-style-type: none"> <li>• Disconnect the connector S4 / B4 of the external temperature sensor and measure the resistance value at connector B2, for diagram and table of values see Page 12, if temperature sensor ok, reassemble connector S4 / B4.</li> <li>• Disconnect connector S1 / B1 at the heater and measure the resistance value in connector housing B1 between PIN 6 and PIN 12. If interrupted the ohmic value is &gt; 7175 <math>\Omega</math> / 3 k<math>\Omega</math>*. If resistance value ok → replace control box.</li> </ul>

\* This fault code or ohmic value is valid for a new generation control box only. This differs from the control box to date by its cable loom wrapped in cable tape and by a temperature sensor mounted on the side, which becomes visible when the cover is removed.

## 4 Troubleshooting

Fault code Display	Fault description	Comments • Remedial action
061	External temperature sensor – short circuit	<ul style="list-style-type: none"> <li>Disconnect connector S4 / B4 of the external temperature sensor, if fault code 060 is displayed → check external temperature sensor, diagram and table of values, see Page 32. If temperature sensor ok → check connection cables 0.5 gr and 0.5 br/ws for short circuit, if ok, reassemble the connector S2 / B2.</li> <li>Disconnect connector S1 / B1 at the heater and measure the resistance value in connector housing B1 between PIN 6 and PIN 12. In case of short circuit the ohmic value is <math>&lt; 486 \Omega / &lt; 800 \Omega^*</math>. If error 061 continues to be displayed → replace control box.</li> </ul>
062	Control unit – interruption <b>Please note!</b> Refer to notes on diagnosis with mini-controller on page 14.	<p>Heater runs in „High“ control stage only</p> <ul style="list-style-type: none"> <li>Remove connector at the control unit and measure the resistance value of the setpoint potentiometer, for connector pins see Page 42 onwards. If the resistance value is ok, reconnect connector at the control unit.</li> <li>Disconnect connector S1 / B1 at the heater, measure the resistance value between PIN 6 and PIN 7 in connector housing B1, if resistance value ok → replace control box. Resistance value in case of interruption <math>&gt; 7175 \Omega / &gt; 3 \text{ k}\Omega^*</math>. Normal values: see page 12.</li> </ul>
063	Control unit – short circuit Fault recognition only works in heating mode. If, on the other hand, the short circuit has already occurred and then the heater is switched on, „Ventilation“ is active (not a fault code).	<ul style="list-style-type: none"> <li>If the „Ventilate“ switch is installed, disconnect it and check it works. If not ok → replace switch.</li> <li>Disconnect connector at control unit, if error code 062 is displayed, replace the control unit. If control unit ok, check connection cables 0.5 gr/rt and 0.5 br/ws for short circuit, if ok → reconnect connector at control unit.</li> <li>Disconnect connector S1 / B1 at the heater, if the error 063 continues to be displayed → replace control box. Resistance value in case of short-circuit <math>&lt; 486 \Omega / &lt; 800 \Omega^*</math>. Normal values: see page 12.</li> </ul>
064	Flame sensor – interruption	<ul style="list-style-type: none"> <li>Dismantle control box and disconnect green connector from control box. Check flame sensor, diagram and table of values, see Page 32, if flame sensor ok → replace control box. Resistance value in case of interruption <math>&gt; 7175 \Omega / &gt; 3 \text{ k}\Omega^*</math>.</li> </ul>
065	Flame sensor – short circuit	<p>Dismantle control box, remove green connector from control box, if error 064 is displayed → replace combination sensor.</p> <p>If error 065 continues to be displayed → replace control box.</p> <p>Resistance value in case of short circuit <math>&lt; 486 \Omega / &lt; 500 \Omega^*</math>, see also diagram on Page 32.</p>
071	Overheating sensor – interruption	<ul style="list-style-type: none"> <li>Dismantle control box, disconnect blue and green connectors from control box. Measure resistance value at blue connector PIN 1 (cable 0.5<sup>2</sup> bl) and at green connector PIN 2 (cable 0.5<sup>2</sup> br/ws), if ok, → replace control box. Resistance value in case of interruption <math>&gt; 223 \text{ k}\Omega / &gt; 1600 \text{ k}\Omega^*</math>, see also diagram on Page 32.</li> </ul>
072	Overheating sensor – short circuit	<ul style="list-style-type: none"> <li>Dismantle control box, remove blue connector from control box, if error 071 is displayed → replace combination sensor.</li> <li>If error 072 continues to be displayed → replace control box.</li> <li>Resistance value in case of short circuit <math>&lt; 183 \Omega / &lt; 95 \Omega^*</math>, see also diagram on Page 32.</li> </ul>
074*	Control box defective	<ul style="list-style-type: none"> <li>Overheating threshold value is not detected by control box → replace control box.</li> </ul>
090	Control box defective (internal fault)	<ul style="list-style-type: none"> <li>Replace control box.</li> </ul>
091	External interference voltage	<ul style="list-style-type: none"> <li>Control box fault due to interference voltages from the vehicle's electrical system. Possible causes: Poor battery, charger → remove interference voltage.</li> </ul>
092	Control box is defective (ROM error)	<ul style="list-style-type: none"> <li>Replace control box.</li> </ul>
093*	Control box defective	<ul style="list-style-type: none"> <li>Replace control box.</li> </ul>

\* This fault code or ohmic value is valid for a new generation control box only. This differs from the control box to date by its cable loom wrapped in cable tape and by a temperature sensor mounted on the side, which becomes visible when the cover is removed.



## 4 Troubleshooting

<b>Fault code Display</b>	<b>Fault description</b>	<b>Comments</b> • <b>Remedial action</b>
094	Control box defective (EEPROM-Fehler)	• Replace control box.
095*	Control box defective	• Replace control box.
096	Internal temperature sensor defective	• Replace control box or use an external room temperature sensor..
097	Control box defective	• SReplace control box.
098*	Control box defective	• Replace control box.
099*	Too many resets in sequence  Transistor error in control box	• Voltage short-term < 5 – 6 volt (for 12 volt) or < 7 – 8 volt (for 24 volt). In case of a voltage drop, check the fuses, the supply cables, the negative connections and the positive support point on the battery for corrosion and correct contact.  Test control box with testing device, if ok → check lead harness of the external components has been correctly laid and check for damage, if ok → check lead harness for continuity, if ok → replace control box.

### Air pressure sensor fault code display

<b>Fault code display</b>	<b>Fault description</b>	<b>Comments</b> • <b>Remedial action</b>
0	No faults	—
11	Communication loss	Interruption of the diagnostics cable between the control box (heater) and the air pressure sensor • Check wiring and plug-in connections
12	No altitude adjustment	Control box (heater) does not support altitude operation with the air pressure sensor • Use a control box (heater) which supports altitude adjustment
13	Air pressure sensor fault	The air pressure sensor is defective • Replace the air pressure sensor

\* This fault code or ohmic value is valid for a new generation control box only. This differs from the control box to date by its cable loom wrapped in cable tape and by a temperature sensor mounted on the side, which becomes visible when the cover is removed.

## 5 Repair instructions

### Repair instructions

The permitted repair work to the heater is described in the "Repair Instructions" chapter.

If extensive repairs are necessary, it makes sense to dismantle the heater.

The heater is assembled in the reverse order, if applicable not additional instructions.

#### Please note!

After completing all the work on the heater, you must carry out a functional check (see Page 4).

### Always observe the following safety instructions before working on the heater:



#### Danger!

##### Risk of injury, burns and poisoning!

- Always switch off the heater beforehand and leave it to cool.
- Disconnect the battery.
- The heater must not be operated in closed rooms such as garages or workshops.

Exception:

Exhaust suction available directly at the entry to the exhaust pipe.



#### Caution!

- The seals of dismantled components must be renewed.
- During repair work, check all components for damage and if necessary replace.
- Check connector contacts, plug-in connections and cables for corrosion and damage and if necessary repair.
- Only ever use Eberspächer spare parts if replacements are necessary.
- Operation or the after running of the heater may only be stopped in an emergency (see "EMERGENCY OFF" Page 8) by interrupting the battery current (risk of heater overheating).

### Special tool

#### AMP release tool

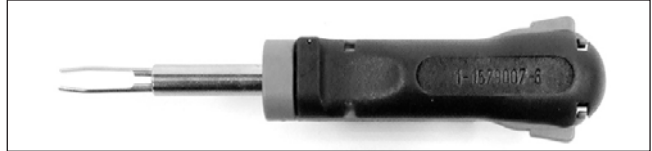
The AMP release tool is used to release plug-in contacts in a connector housing.

This release tool can be ordered directly from AMP.

- For Micro Timer: AMP Order No. 0-0539960-1



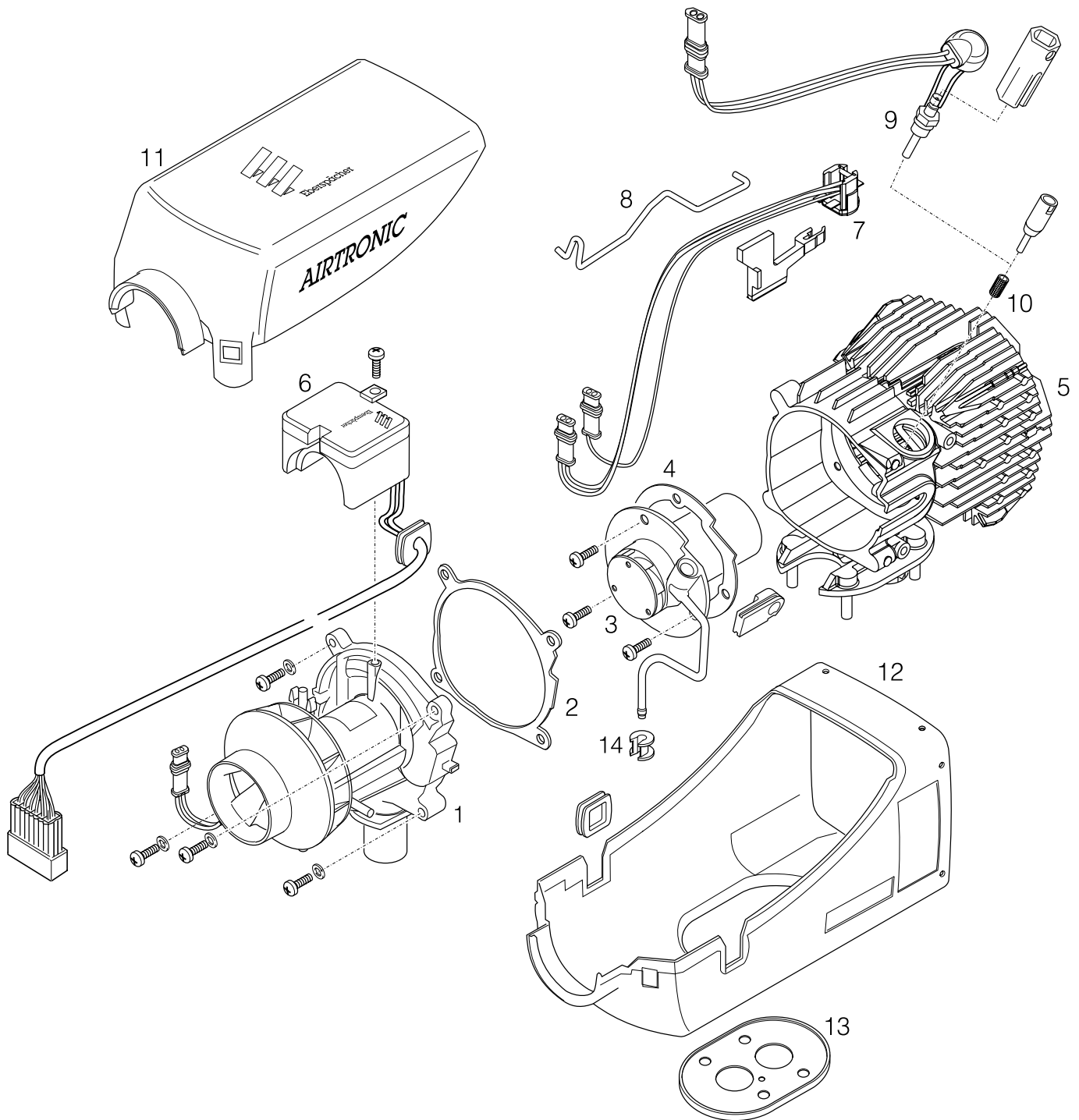
- For Junior-Power-Timer: AMP-Bestell-Nr. 1-1579007-6





## 5 Repair instructions

### Assembly drawing Airtronic / Airtronic M



#### Parts list

- |   |  |    |   |
|---|--|----|---|
| 1 | Combustion air fan   | 8  | Bracket                                       |
| 2 | Seal – combustion air fan / heat exchanger                         | 9  | Glow plug, with special tool (SW 12)          |
| 3 | Combustion chamber   | 10 | Lining – glow plug socket, with assembly tool |
| 4 | Seal – combustion chamber / heat exchanger                         | 11 | Cover   |
| 5 | Heat exchanger   | 12 | Outer shell (bottom section)                  |
| 6 | Control box  | 13 | Flange seal                                   |
| 7 | Combination sensor (overheating / flame sensor) with assembly tool | 14 | Sleeve (for petrol only)                      |



## 5 Repair instructions

### Repair step 1

#### Remove the heater's cover (see Figure 1)

Unlock both fastening clips, lift the cover and remove from the front.

#### Please note!

The heater's cover must be removed for all repair steps. If necessary, wait until the unit has cooled down.

Cable harness outlet from the housing optionally on left or right-hand side.

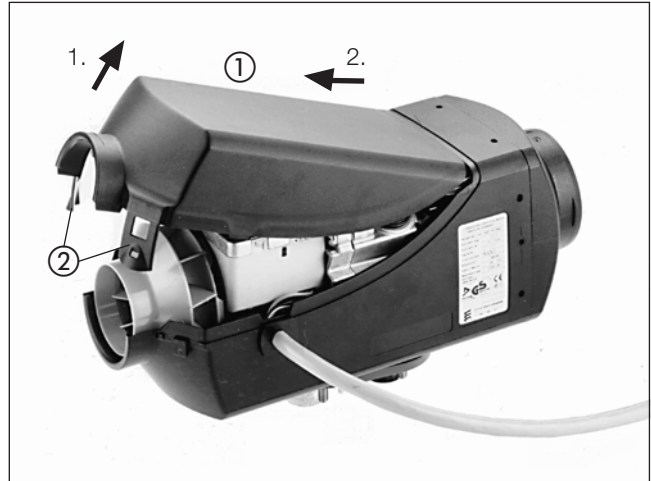


Figure 1

- ① Cover
- ② Fastening clips

### Repair step 2

#### Dismantle control box (see Figure 2)

- Repair step 1.
- Unscrew fixing screw,
- Press together the retaining clamps.
- Remove the control box from above.
- Unclip cables from holder on control box (Note the position of the cables).
- Pull grommet out of the outer shell (bottom section).
- Pull connector out of control box, the control box can now be removed.

#### Please note!

When assembling the control box, ensure the cables are clipped into the holder on the control box and the connectors are plugged into the control box (unmistakeable).

Tightening torque of the fixing screw Item ①:  $2^{+0.2}$  Nm

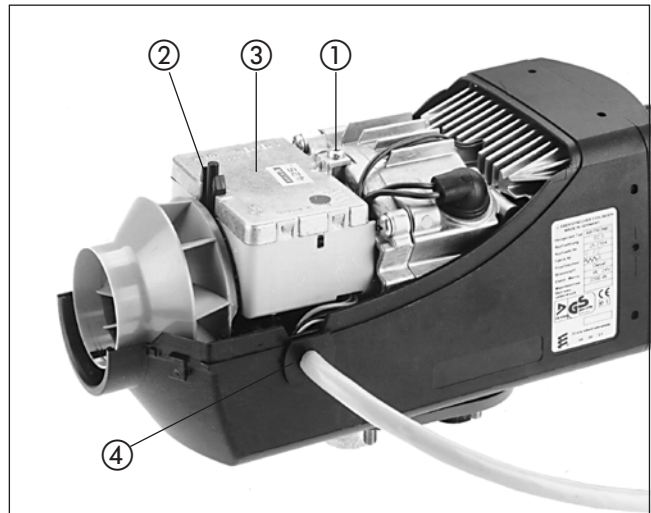


Figure 2

- ① Fixing screw
- ② Retaining clamp
- ③ Control box
- ④ Grommet

### Check control box

The EDiTH diagnostic tool is required to check the control box when it is dismantled. For connection, use and Order No., see Page 19.

## 5 Repair instructions

### Repair step 3

#### Dismantle glow plug (see Figure 3)



#### Important!

#### Safety instruction for installation of the rubber grommet

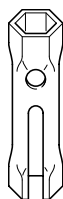
To prevent leaks, insert the rubber grommet precisely in the glow plug hole in the heat exchanger.

Failure to comply with this instruction can result in personal injuries as well as malfunctioning or damage to the heater.

- Repair step 2.
- Disconnect connector from “glow plug” cable loom on control box.
- Remove rubber grommet and unscrew the glow plug using the special tool (SW 12).  
(The special tool is included with the glow plug).

Tightening torque for glow plug:  $6^{+0.5}$  Nm

Special glow plug tool



#### Please note!

With the glow plug dismantled, visually check the socket lining of the installed glow plug for dirt. If the lining is highly soiled and its surface closed, renew the lining.

#### Removing the lining (see Figure 4)

Use long nose pliers to pull the lining out of the socket from above.

Blow out the socket with compressed air and if necessary clean the side vent hole.

Use the special tool to install the new lining.

The special tool is included with the lining.

Push the lining on the tool.

Push in the tool together with the lining up to the limit stop.

Welding points of lining must lie opposite the fuel intake.

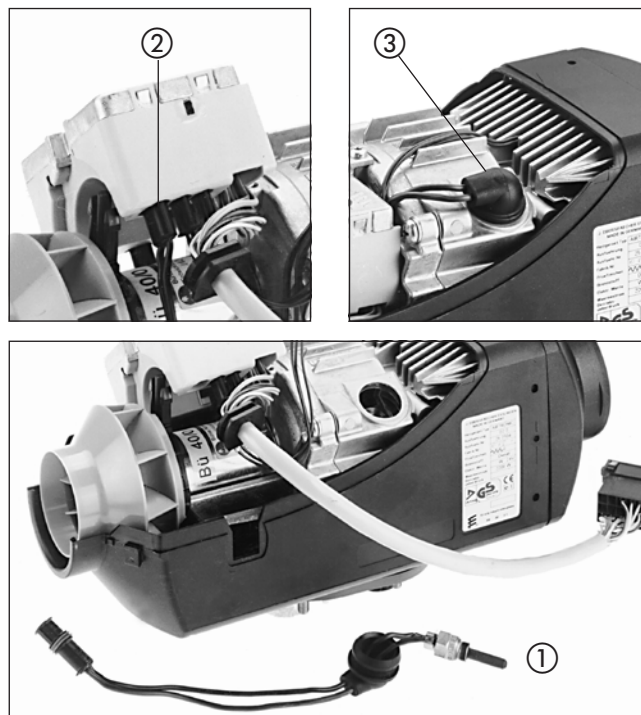


Figure 3

- ① Glow plug
- ② Connector from glow plug cable loom
- ③ Rubber grommet



Figure 4

- ① Special tool
- ② Lining

# 5 Repair instructions

## Repair step 5

**Dismantle combination sensor (overheating / flame sensor)** (see Figure 5)

- Repair step 2.
- Remove both connectors from the “combination sensor” cable loom at the control box.
- Unlock bracket from combination sensor.
- Remove the combination sensor.

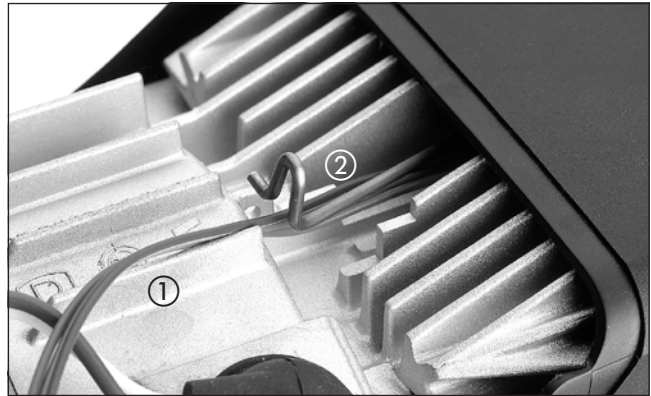


Figure 5

- ① “Combination sensor” cable loom
- ② Bracket, unlocked

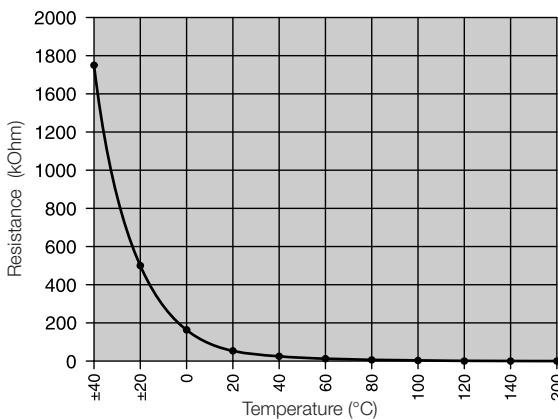
## Check combination sensor

The external temperature sensor must be checked with a digital multimeter. Replace the overheating or flame sensor if the resistance value is not the same as the curve in the diagram or the table of values.

**Please note!**

Note the max. temperature of 320 °C for the test.

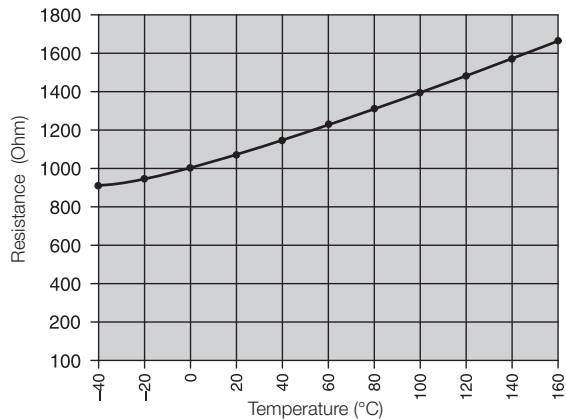
## Overheating sensor



### Table of overheating sensor values

Temperature °C	Resistance kΩ	min.	max.
-40		1597.00	1913.00
-20		458.80	533.40
0		154.70	175.50
20		59.30	65.84
40		25.02	28.04
60		11.56	13.16
80		5.782	6.678
100		3.095	3.623
120		1.757	2.081
140		1.050	1.256
160		0.6554	0.792
180		0.4253	0.5187
200		0.2857	0.3513

## Flame sensor



### Table of flame sensor values

Temperature °C	Resistance Ω	min.	max.
-40	842.7	825.9	859.6
-20	921.6	803.2	940.0
0	1000.0	980.0	1020.0
20	1077.9	1056.4	1099.5
40	1155.4	1132.3	1178.5
60	1232.4	1207.8	1257.1
80	1308.9	1282.8	1335.1
100	1385.1	1357.4	1412.8
120	1460.7	1431.5	1489.9
140	1535.8	1505.1	1566.6
160	1610.5	1578.3	1642.8

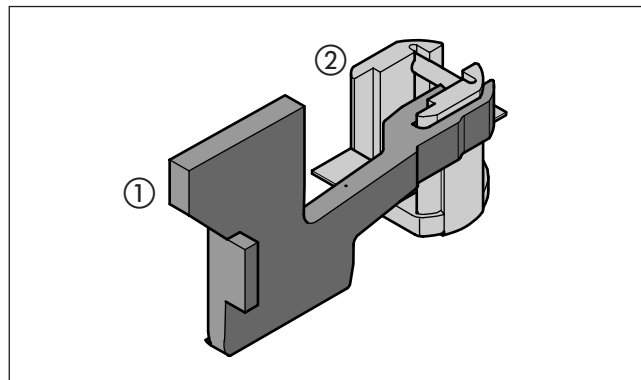
## 5 Repair instructions

### Repair step 6

#### Install combination sensor (overheating / flame sensor)

(see Figure 6, 7 and Sketch 2 – 4)

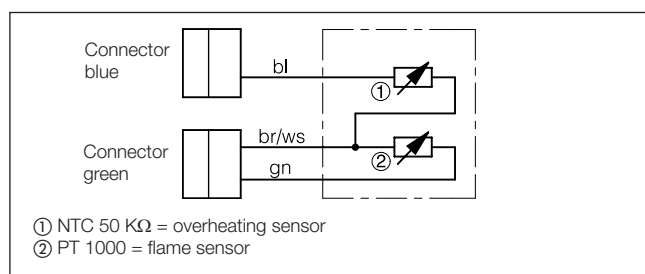
- Repair step 2.
- For **Airtronic** (assembly with special tool, see Sketch 2)  
Push the special tool a onto the combination sensor b. Use the special tool to position the combination sensor on the heat exchanger, the special tool slides on the heat exchanger until the combination sensor hits the collar (installation position of the combination sensor). Lock the combination sensor's bracket and remove the special tool. Then always check that the combination sensor sits flat on the heat exchanger. If necessary, use aids such as a mirror and lamp.  
Lay the "combination sensor" cable loom along the bracket, through the bracket eyelet up to the control box and connect.
- For **Airtronic M** (assembly without special tool)  
Place the combination sensor on the heat exchanger; it is important to ensure the combination sensor sits flat on the heat exchanger.  
Lock the combination sensor's bracket and check again that the combination sensor is sitting flat on the heat exchanger.  
Lay the "combination sensor" cable loom along the bracket, through the bracket eyelet up to the control box and connect.



Sketch 2

- ① Special tool – only required for Airtronic
- ② Combination sensor

#### Circuit diagram for combination sensor (overheating sensor / flame sensor)

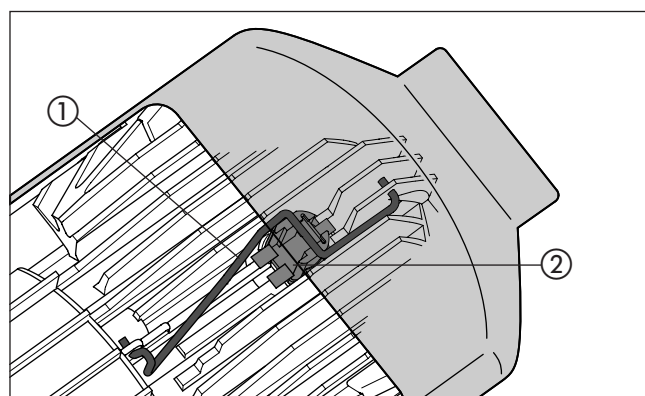


Sketch 3



Figure 6

- ① Special tool – only required for Airtronic
- ② Combination sensor



Sketch 4

- ① Bracket
- ② Combination sensor

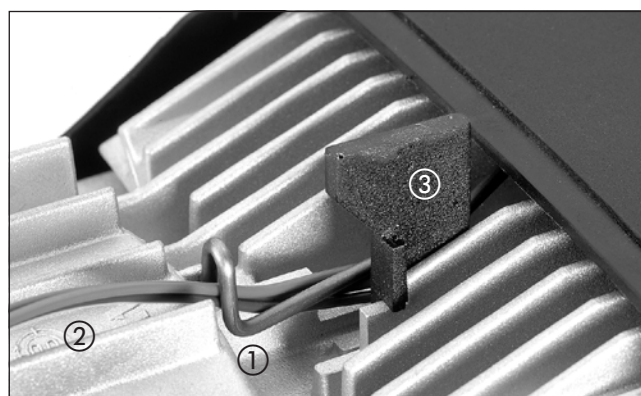


Figure 7

- ① Bracket, locked
- ② "Combination sensor" cable loom
- ③ Special tool – only required for Airtronic

## 5 Repair instructions

### Repair step 7

**Dismantle heat exchanger** (see Figure 8 and Sketch 5)

**Dismantle combustion air fan** (see Figure 8 and Sketch 5)

- Repair step 2.
- Remove flange seal. Remove heater from the outer shell (bottom section).  
Unscrew the 4 fixing screws from the combustion air fan.  
Remove the combustion air fan and the seal from the heat exchanger.

### Caution!

When installing the combustion air fan the seal must always be renewed.

Tighten the 4 fixing screws of the combustion air fan – in the order shown in Sketch ⑤ – with a tightening torque of  $4 \pm 0.5$  Nm.

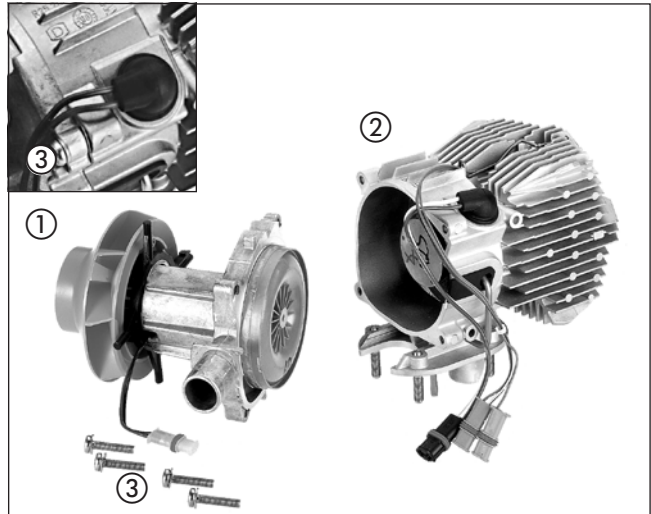
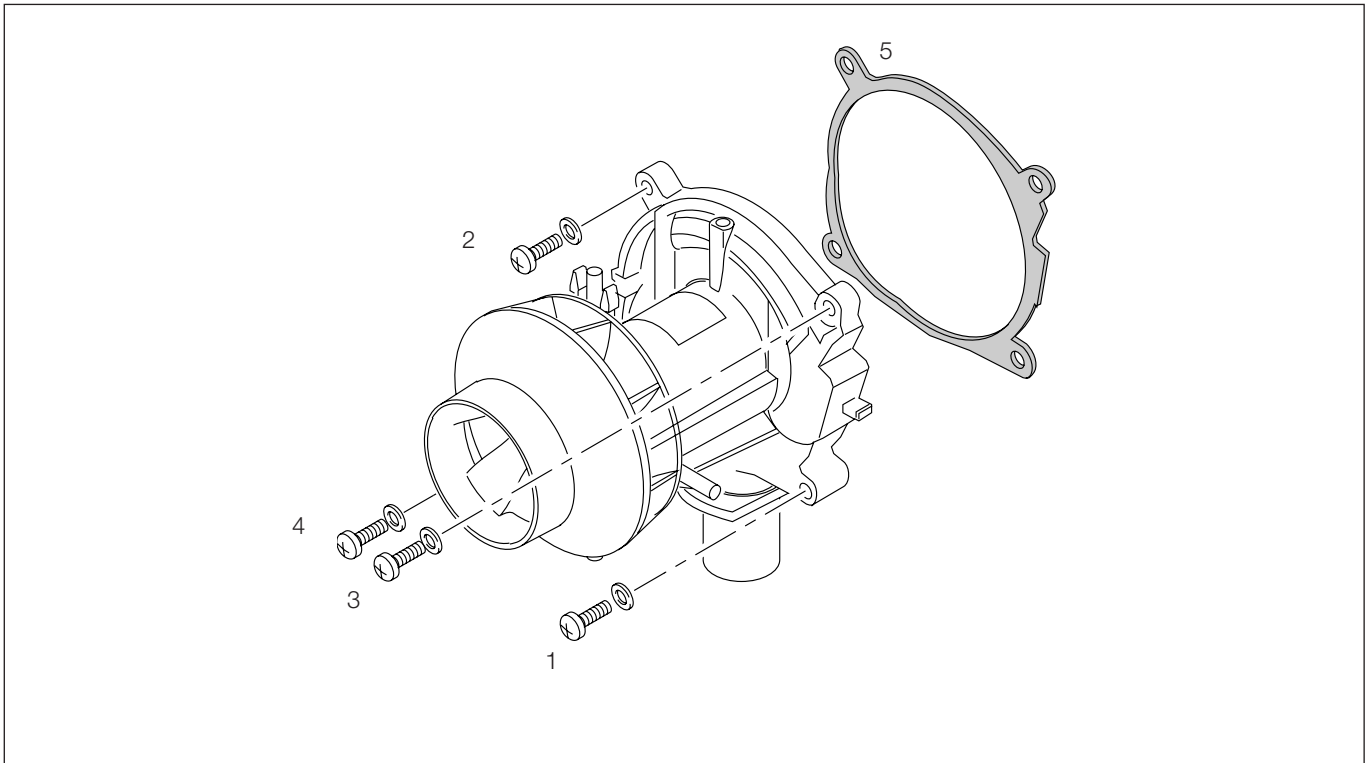


Figure 8

- ① Combustion air fan
- ② Heat exchanger
- ③ Fixing screw



Sketch 5

- 1 – 4  
Tighten the fixing screws in this order with a tightening torque of  $4 \pm 0.5$  Nm

- 5 Always renew the seal between the combustion air fan and the heat exchanger.



## 5 Repair instructions

### Repair step 8

#### Dismantle combustion chamber

(see Figure 9 and Sketch 6)

- Repair step 3.
- Repair step 7.
- Unscrew the fixing screws.  
In the Airtronic = 3 fixing screws,  
in the Airtronic M = 4 fixing screws.
- Pull out the combustion chamber from the front and remove the heat exchanger's seal.



#### Caution!

When assembling the combustion chamber, always renew the seal, which is included with the spare part.

Tighten the fixing screws of the combustion chamber with a tightening torque of 5 +0.5 Nm

#### Please note!

If the heat exchanger is replaced the combination sensor (overheating sensor / flame sensor) must be dismantled and fitted on the new heat exchanger (see Repair step 6, Page 33).

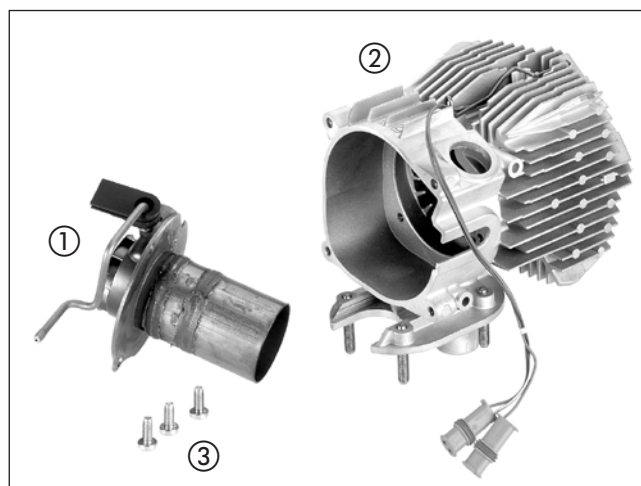
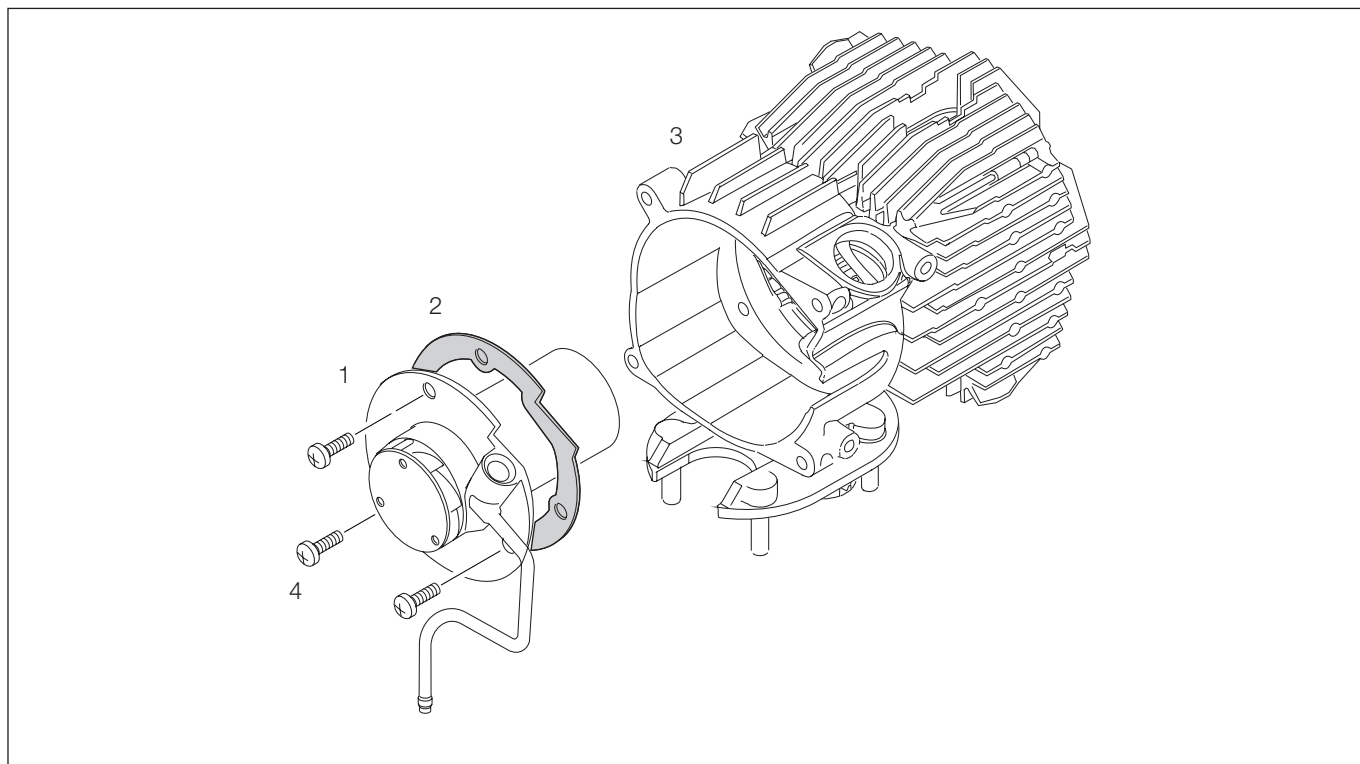


Figure 9

- ① Combustion chamber
- ② Heat exchanger
- ③ Fixing screw  
Airtronic = 3 fixing screws  
Airtronic M = 4 fixing screws



Sketch 6

- 1 Combustion chamber
- 2 Always renew the seal between the combustion chamber and the heat exchanger.
- 3 Heat exchanger

- 4 Fixing screw  
Airtronic = 3 fixing screws  
Airtronic M = 4 fixing screws

# 5 Repair instructions

## Check fuel supply

Before measuring the fuel quantity, check the following points in the fuel supply.

- Check the screen in the metering pump.
- Check the laying of the fuel pipes.
- Check fuel pipes for leaks.
- Check and tighten the hose connections.
- Is the fuel removal installed according to the details in the technical description?

## Measuring the fuel quantity

### 1. Preparation

Remove the fuel pipe at the heater and insert a measuring cylinder (size 10 ml).

Switch on the heater, if the fuel is uniformly pumped (begins approx. 60 sec after being switched on), the fuel pipe is full and vented.

Switch off heater and empty measuring cylinder.

#### Bitte beachten!

For precise fuel measurement at least 11 volt / 22 volt or maximum 13 volt / 26 volt should be applied to the control box during the measurement.

### 2. Measurement

The fuel begins to be pumped approx. 60 sec after switching on the heater.

Hold the measuring cylinder at glow plug level during the measurement.

#### Airtronic

After approx. 90 sec of the fuel being pumped it is automatically switched off.



#### Caution!

**Switch off heater**, as otherwise it will start up again.

Read off the quantity of fuel in the measuring cylinder.

#### Airtronic M

After approx. 105 sec of the fuel being pumped it is automatically switched off.



#### Caution!

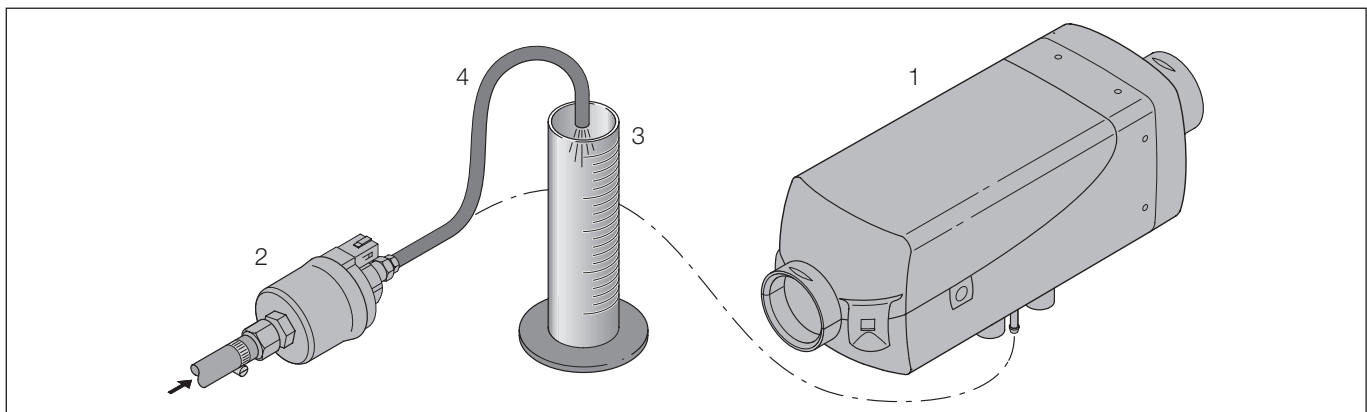
**Switch off heater**, as otherwise it will start up again.

Read off the quantity of fuel in the measuring cylinder..

If the measured fuel quantity lies outside the values given below, the metering pump must be replaced.

Table of values – fuel quantity

Heater	Fuel	Fuel quantity	
		Minimal	Maximal
Airtronic	diesel	3,5 ml / 90 sec	4,3 ml / 90 sec
Airtronic M	petrol	6,8 ml / 105 sec	7,6 ml / 105 sec
Airtronic M	diesel	5,0 ml / 105 sec	6,0 ml / 105 sec



- 1 Heater  
2 Metering pump

- 3 Measuring cylinder (size 10 ml)  
4 Disconnect fuel pipe at heater and insert in a measuring cylinder.





## 6 Circuit diagram

### Overview of the parts lists and circuit diagrams

Parts list circuit diagram Airtronic / Airtronic M .....	38
Circuit diagram Airtronic / Airtronic M.....	39
This circuit diagram is for heaters with one diagnostics cable and a control box cable loom which is firmly encapsulated.	
Circuit diagram Airtronic / Airtronic M.....	40
This circuit diagram is for heaters with 2 diagnostics cable and whose control box cable loom is wound with cable tape.	
Parts list control units .....	41
Circuit diagrams control units.....	42 – 48
Parts list EasyStart R+ / R / T control units .....	49
EasyStart R+ circuit diagram .....	50 – 52
EasyStart R circuit diagram.....	53 – 55
EasyStart T circuit diagram .....	56, 57
Parts list circuit diagram Airtronic / Airtronic M – ADR .....	58
Circuit diagram Airtronic / Airtronic M – ADR.....	59
This circuit diagram is for heaters with one diagnosis cable and a control box cable loom which is firmly encapsulated.	
Circuit diagram Airtronic / Airtronic M – ADR.....	60
This circuit diagram is for heaters with 2 diagnostics cable and whose control box cable loom is wound with cable tape.	
Parts list control units – ADR .....	61
Circuit diagram control units – ADR .....	62
EasyStart T – ADR circuit diagram .....	63, 64

# 6 Circuit diagram

## Parts list circuit diagrams Airtronic / Airtronic M

- 1.1 Burner engine
  - 1.2 Glow plug
  - 1.5 Overheating and flame sensor
  - 2.1 Control box
  - 2.2 Metering pump
  - 2.7 Main fuse 12 volt = 20 A  
24 volt = 10 A
  - 2.7.1 Fuse, actuation 5 A
  - 5.1 Battery
- a) Connection of control unit and external sensor according to "control units" circuit diagram
- rt Power supply, plus – terminal 30
  - ge Switch-on signal – S+
  - gr Temperature – actual value
  - wsrt Switch off the anti-theft alarm system (ADR – feedback signal for timer)
  - br Power supply, minus – terminal 31
  - blws Diagnosis
  - grt Temperature – setpoint
  - brws Ground connection for external temperature sensor and temperature setpoint
- b) Option
- Vehicle fan control  
and / or
  - separate fresh air fan

### Please note!

The circuit diagrams are assigned via the installed control box:

- Control box with one diagnostics cable:  
At the 16 pin connector the diagnostics cable bl/ws is connected to chamber 8.
- Control box with 2 diagnostics cables and JE diagnosis:  
At the 16 pin connector the diagnostics cable bl/ws is connected to chamber 3, the diagnostics cable bl/ge is connected to chamber 8.
- Insulate unused cable ends.
- Connectors and bush housings are shown from the cable inlet side.

### Cable colours circuit diagrams

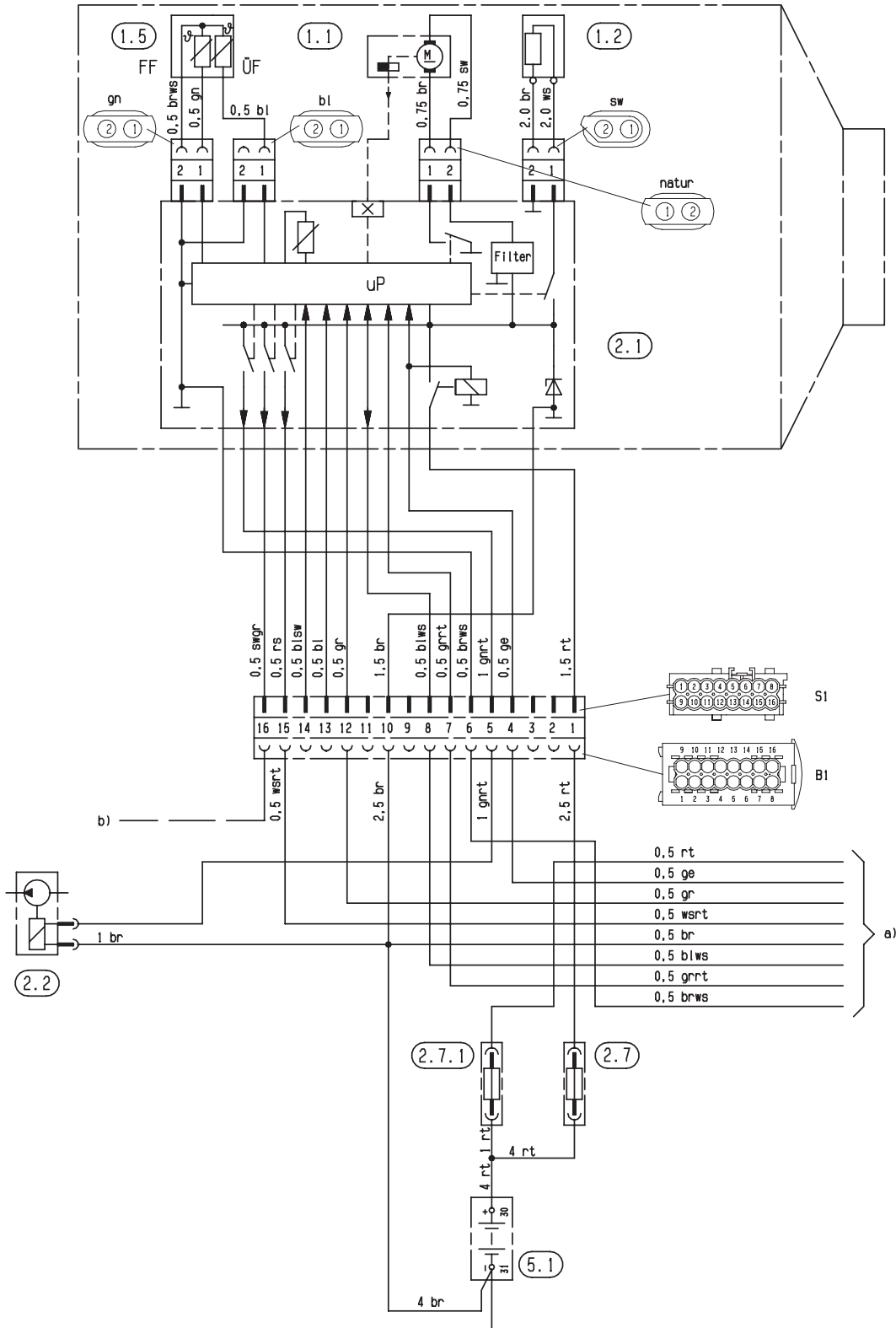
- sw = black
- ws = white
- rt = red
- ge = yellow
- gn = green
- vi = violet
- br = brown
- gr = grey
- bl = blue
- li = purple

# 6 Circuit diagram

## Circuit diagram – Airtronic / Airtronic M

**Please note!**

This circuit diagram is for heaters with a diagnostics cable and whose control box cable loom which is firmly encapsulated.

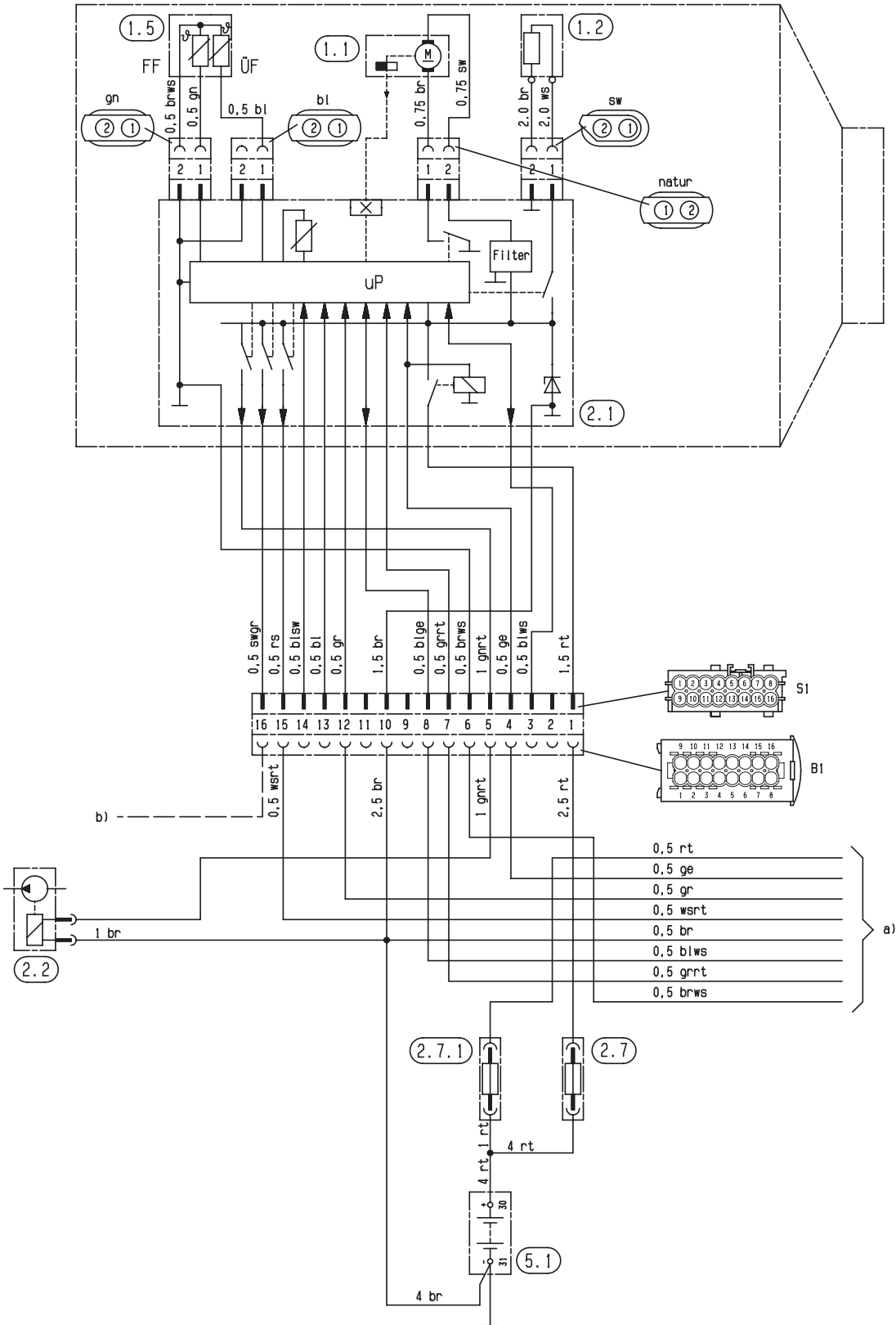


# 6 Circuit diagram

## Circuit diagram – Airtronic / Airtronic M

**Bitte beachten!**

This circuit diagram is for heaters with 2 diagnostics cable and whose control unit cable loom is wound with cable tape.





## 6 Circuit diagram

### Parts list circuit diagrams, control units

- 2.15.1 Temperature sensor, external (room temperature)
- 2.15.9 Temperature sensor (external temperature)
- 3.1.9 Changeover switch "heat / ventilate"
- 3.1.11 Control unit, round
- 3.1.16 Radio remote control button
- 3.1.17 Mini controller Airtronic
- 3.1.18 Button Calltronic
- 3.2.8 Module timer (ADR – potentiometer)
- 3.2.12 Timer, mini – 12 / 24 volt
- 3.2.14 Lighting, timer, mini – 12 volt only
- 3.3.6 Radio remote control stationary part TP41i
- 3.3.7 Radio remote control stationary part TP5
- 3.3.8 Remote control Calltronic
- 3.8.3 Antenna
- 3.9.1 Diagnosis, JE diagnosis

#### a) Connection control elements to the Airtronic

- rt Power supply, plus – terminal 30
- ge Switch-on signal – S+
- gr Temperature – actual value
- wsrt Switch off burglar alarm  
(ADR – feedback for timer)
- br Power supply, minus – terminal 31
- blws Diagnosis
- grrt Temperature – setpoint
- brws Ground connection for external temperature sensor and temperature setpoint

#### b) Terminal 15 – necessary for connection TP4i

#### c) Lighting, terminal 58

#### d) Connection, diagnostic unit

#### e) Connection, external temperature sensor

#### g) Connection, external heating button

#### h) Connection, radio remote control TP4i

#### j) Connection, temperature sensor (outside temperature)

#### k) If connecting timer or radio receiver – Disconnect cable here

#### l) Connection, change-over switch "heat / ventilate" option) Initial operation: Activate changeover switch "heat / ventilate", then switch on the heater.

#### z) Lighting, terminal 58

#### Please note!

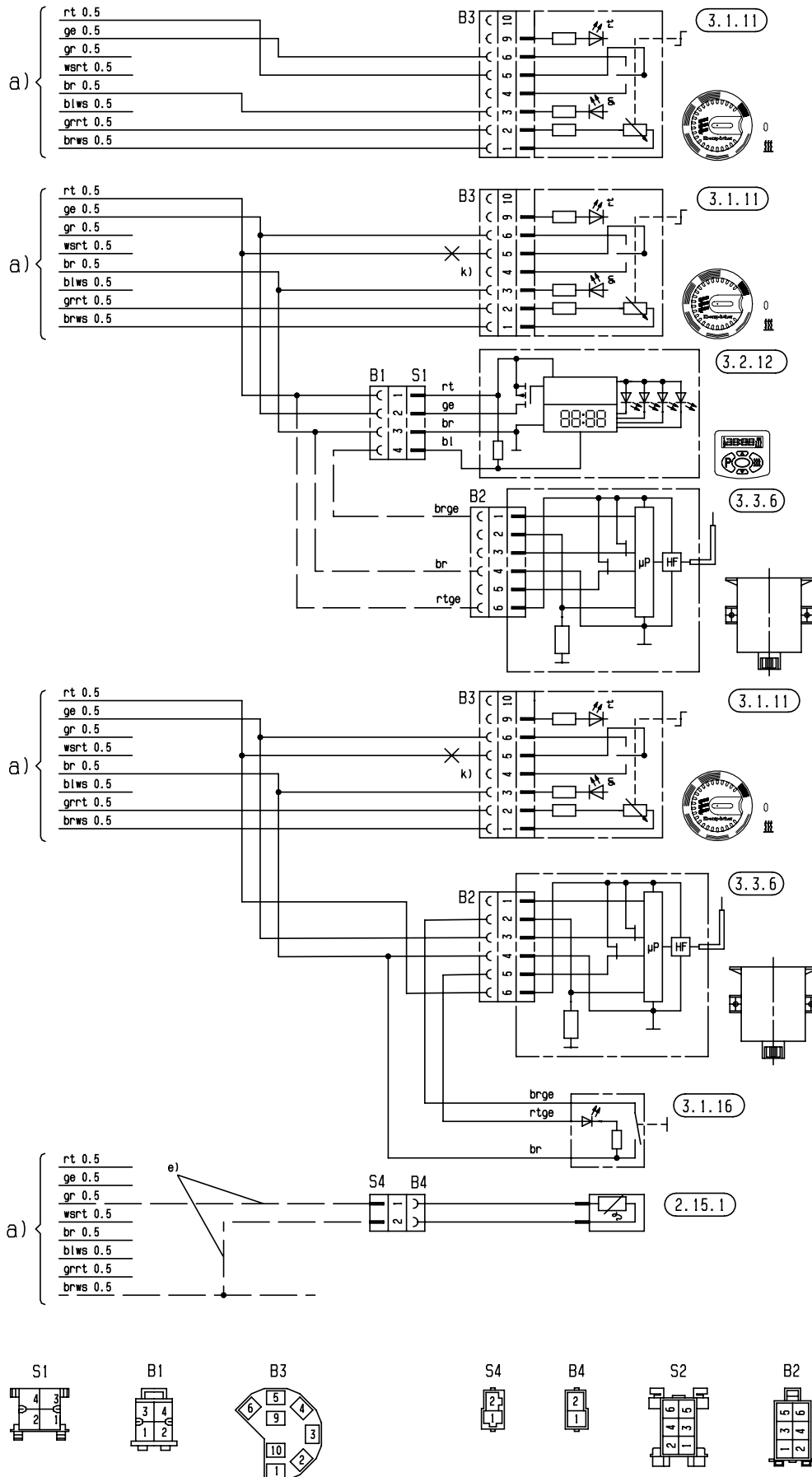
- Insulate unused cable ends.
- Connectors and bush housings are shown from the cable inlet side.

### Cable colours circuit diagrams

- sw = black
- ws = white
- rt = red
- ge = yellow
- gn = green
- vi = violet
- br = brown
- gr = grey
- bl = blue
- li = purple

# 6 Circuit diagram

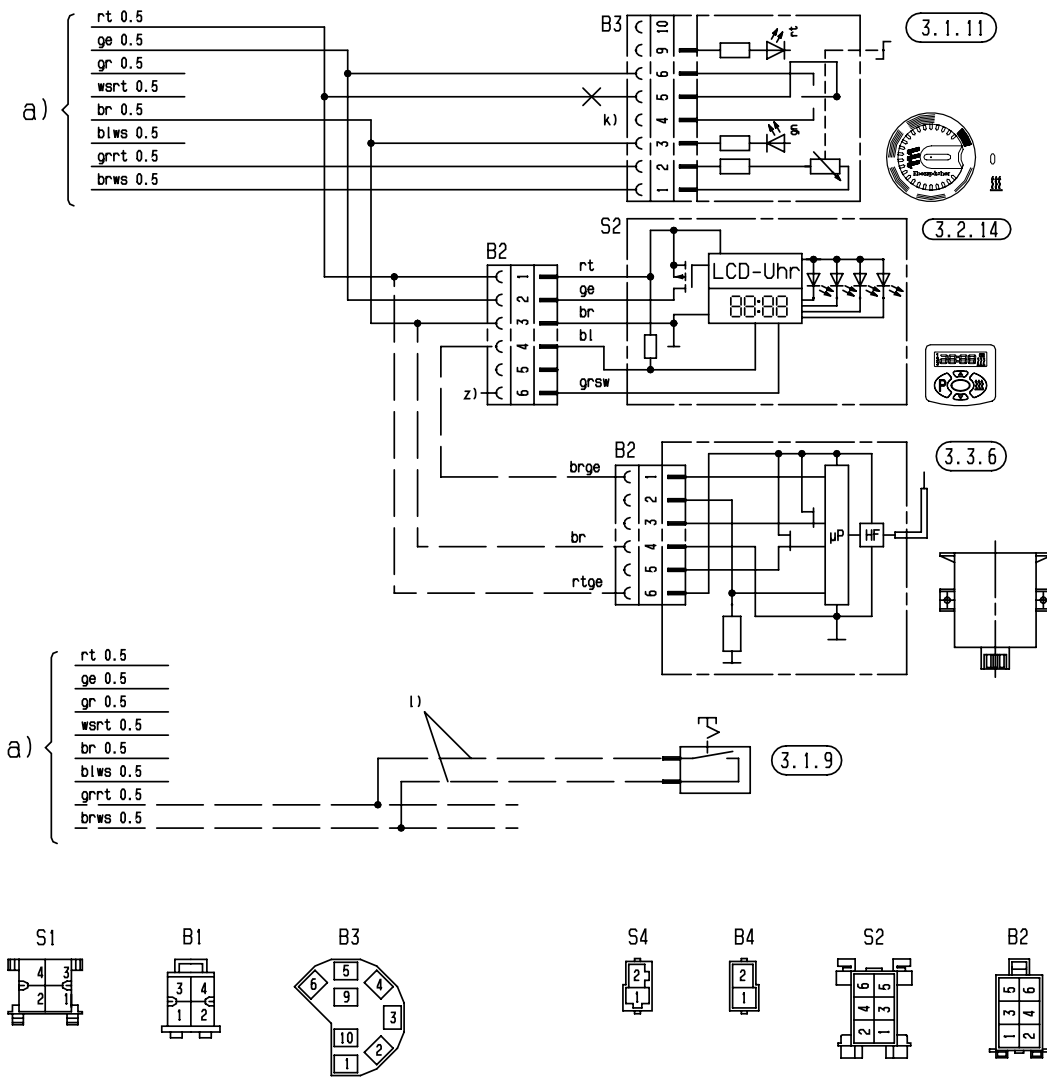
## Circuit diagram, control units – part 1





# 6 Circuit diagram

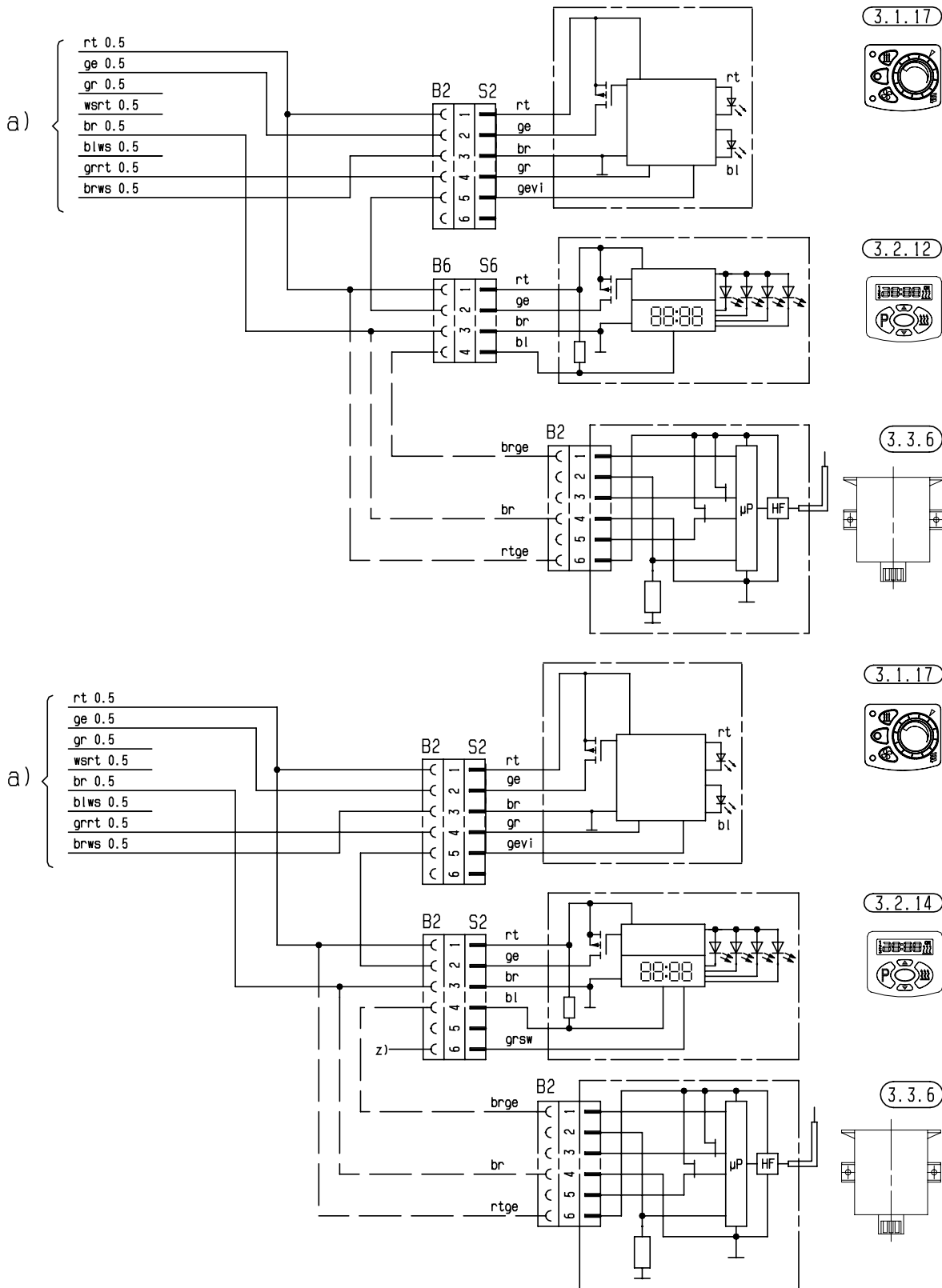
## Circuit diagram, control units – part 2





# 6 Circuit diagram

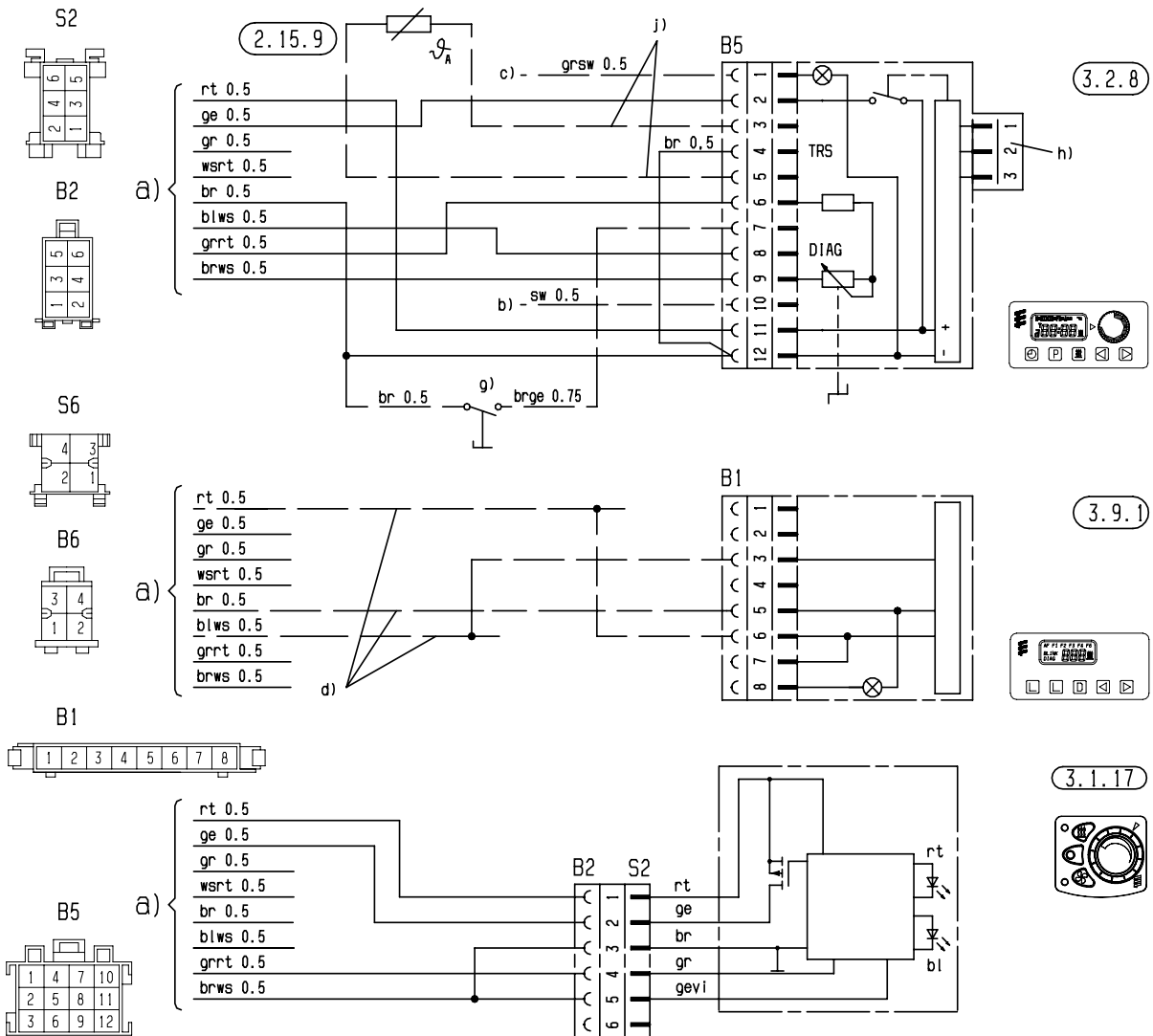
## Circuit diagram, control units – part 3





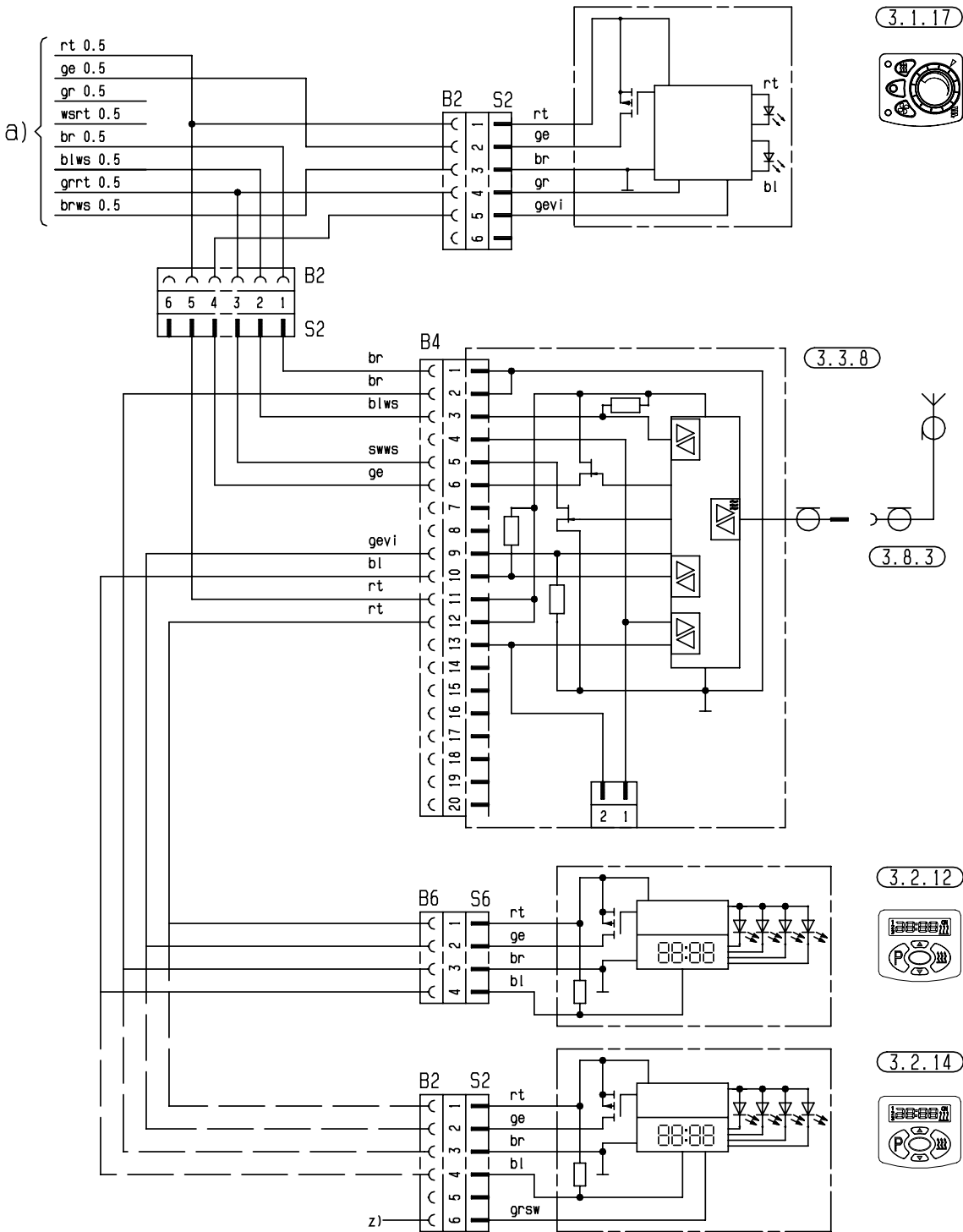
# 6 Circuit diagram

## Circuit diagram, control units – part 4



# 6 Circuit diagram

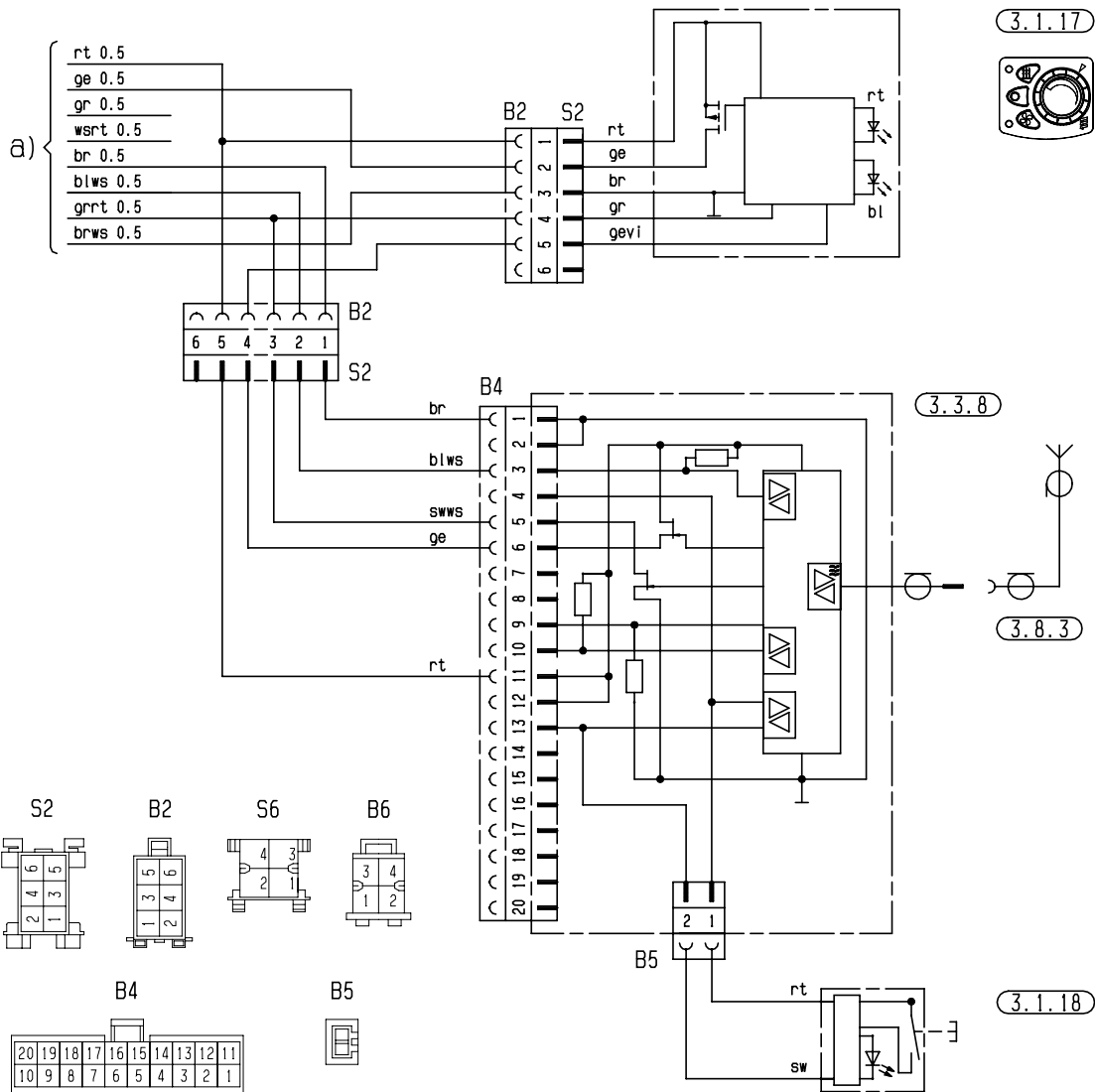
## Circuit diagram, control units – part 5





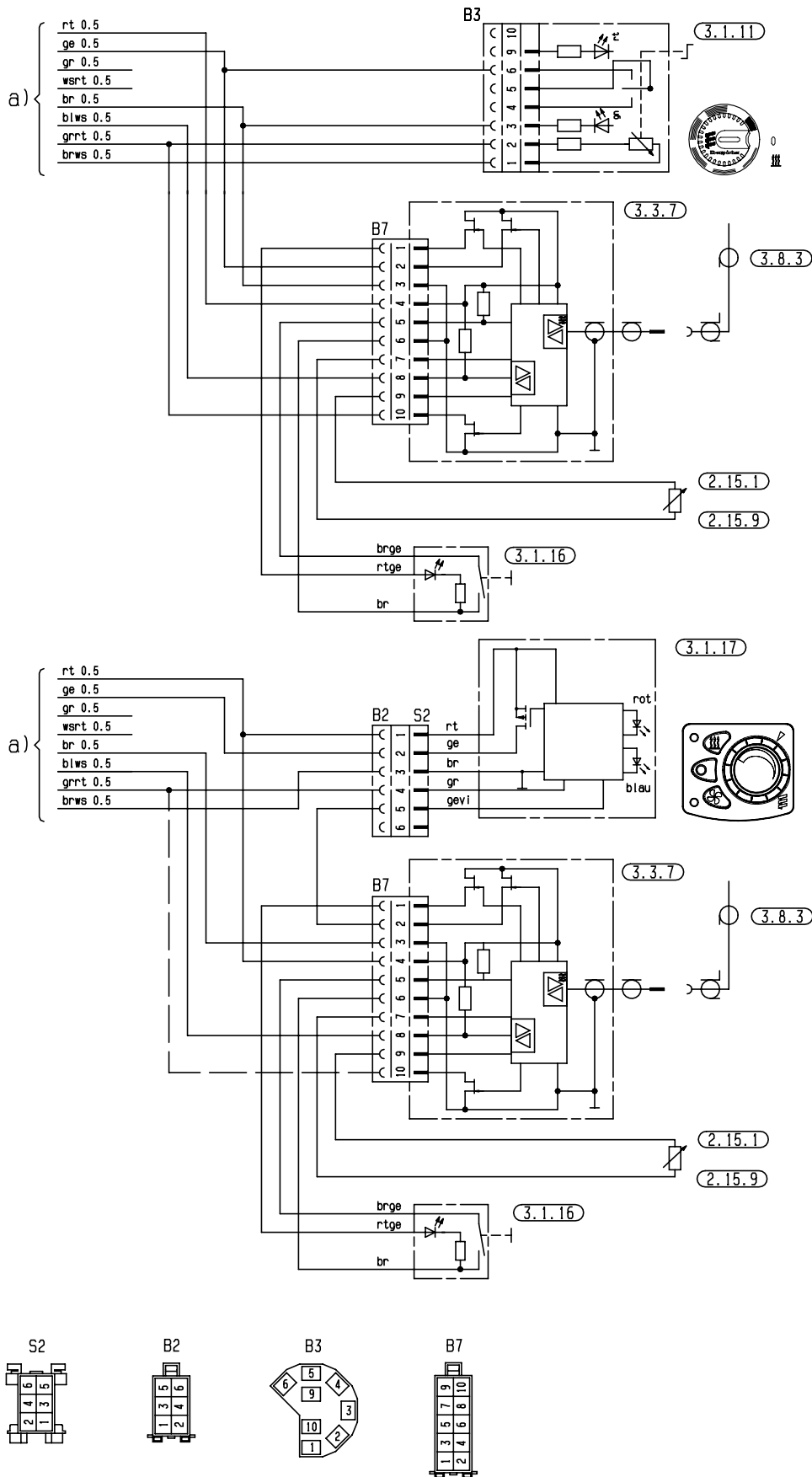
# 6 Circuit diagram

## Circuit diagram, control units – part 6



# 6 Circuit diagram

## Circuit diagram, control units – part 7





## 6 Circuit diagram

### Parts list circuit diagram control units – EasyStart R+ / R / T

- 2.15.1 Temperature sensor (room temperature) (included in scope of supply for EasyStart R+, optional for EasyStart R / T)
- 2.15.9 Outside temperature sensor (optional)
- 3.1.7 “OFF” button
- 3.1.9 “Heat / ventilate” switch
- 3.1.11 “Round” control unit
- 3.1.16 Radio remote control button
- 3.1.17 “Mini controller” control unit
- 3.2.15 EasyStart T timer
- 3.3.9 Radio remote control EasyStart R (stationary unit)
- 3.3.10 Radio remote control EasyStart R+ (stationary unit)
- 3.6.1 Lead harness
- 3.8.3 Antenna
  - a) Connection of control units at the heater
  - c) Terminal 58 (lighting)
  - d) Parking ventilation with vehicle fan (optional)
  - e) Connection of EasyStart T timer timer
  - g) Connection “ON / OFF” key (optional e.g. Order No.: 22 1000 32 84 00)
  - h) Connection of “Ventilate” via EasyStart R+
  - x) ADR jumper
  - y) Connect and insulate cables

#### Please note!

#### •Note heater type!

- The jumper labelled with y) in the circuit diagram must always be connected.
- Insulate unused cable ends.
- Connectors and bush housings are shown from the cable inlet side.

#### Assignment of the circuit diagrams for Airtronic heaters

The circuit diagrams are assigned via the installed control box:

- Control box with one diagnostics cable:  
At the 16 pin connector the diagnostics cable bl/ws is connected to chamber 8.
- Control box with 2 diagnostics cables and JE diagnosis:  
At the 16 pin connector the diagnostics cable bl/ws is connected to chamber 3, the diagnostics cable bl/ge is connected to chamber 8.

#### Cable colours circuit diagrams

- sw = black
- ws = white
- rt = red
- ge = yellow
- gn = green
- vi = violet
- br = brown
- gr = grey
- bl = blue
- li = purple

### Pin assignments

#### EasyStart R+

Pin assignment at the stationary unit connector

1	Terminal 31 (negative)
2	--
3	Ventilate (switching signal -)
4	DAT cable
5	Pushbutton / LED (negative)
6	Temperature sensor (negative)
7	Terminal 30 (positive)
8	S+ (switching on signal)
9	LED (positive)
10	Diagnosis cable (K line)
11	Pushbutton (negative)
12	Temperature sensor (positive)

#### EasyStart R

Pin assignment at the stationary unit connector

1	Terminal 31 (negative)
2	--
3	--
4	DAT cable
5	Pushbutton / LED (negative)
6	--
7	Terminal 30 (positive)
8	S+ (switching on signal)
9	LED (positive)
10	Diagnosis cable (K line)
11	Pushbutton (negative)
12	--

#### EasyStart T

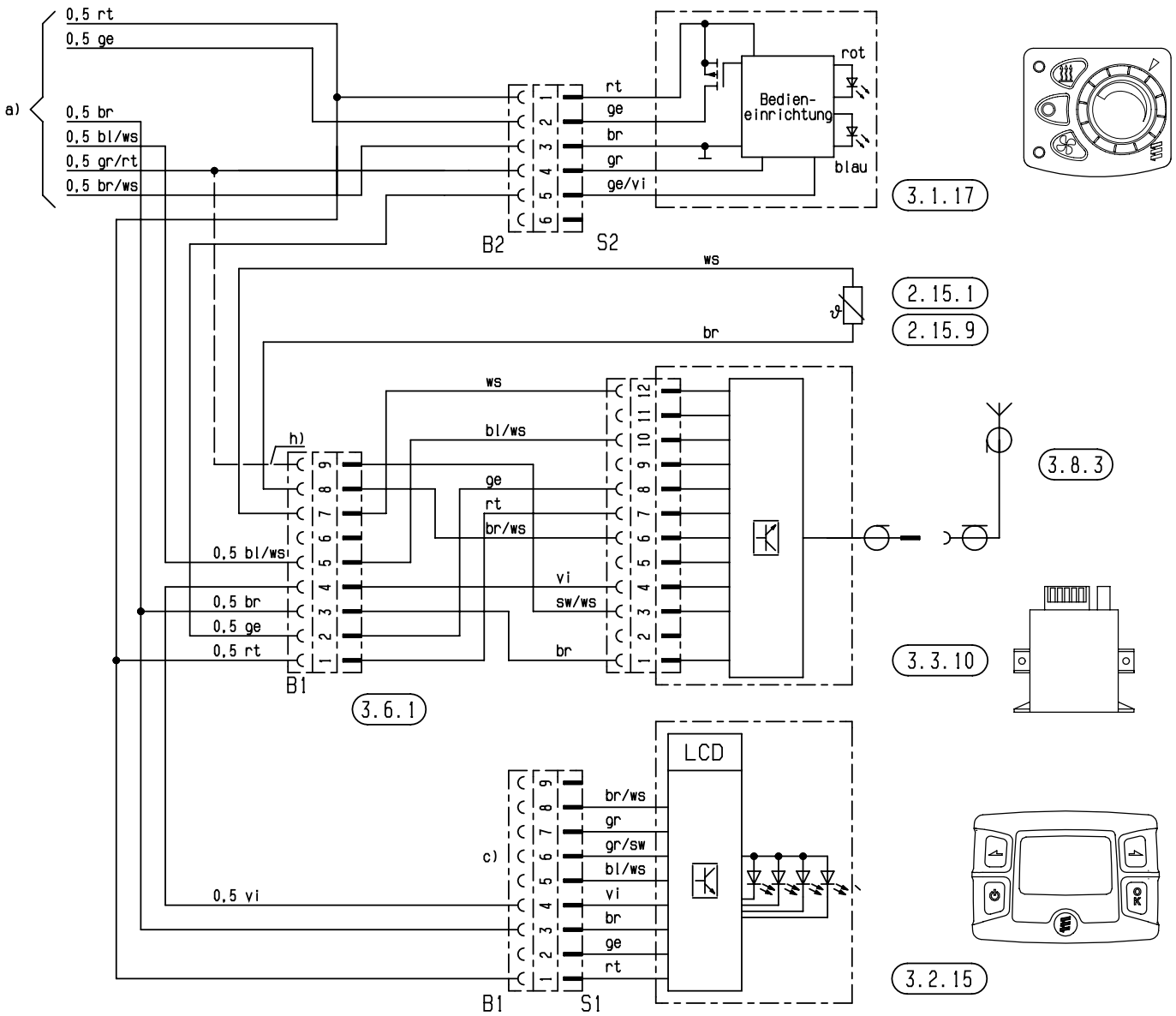
Pin assignment EasyStart T-connector S1

1	Terminal 30 (positive)	rt
2	S+ (switching on signal)	ge
3	Terminal 31 (negative)	br
4	DAT cable	vi
5	Diagnosis cable (K line)	bl/ws
6	Terminal 58	gr/sw
7	Temperature sensor (positive)	gr
8	Temperature sensor (negative)	br/ws
9	--	--

# 6 Circuit diagram

## EasyStart R+ control unit circuit diagram

(Control box with one diagnostics cable)

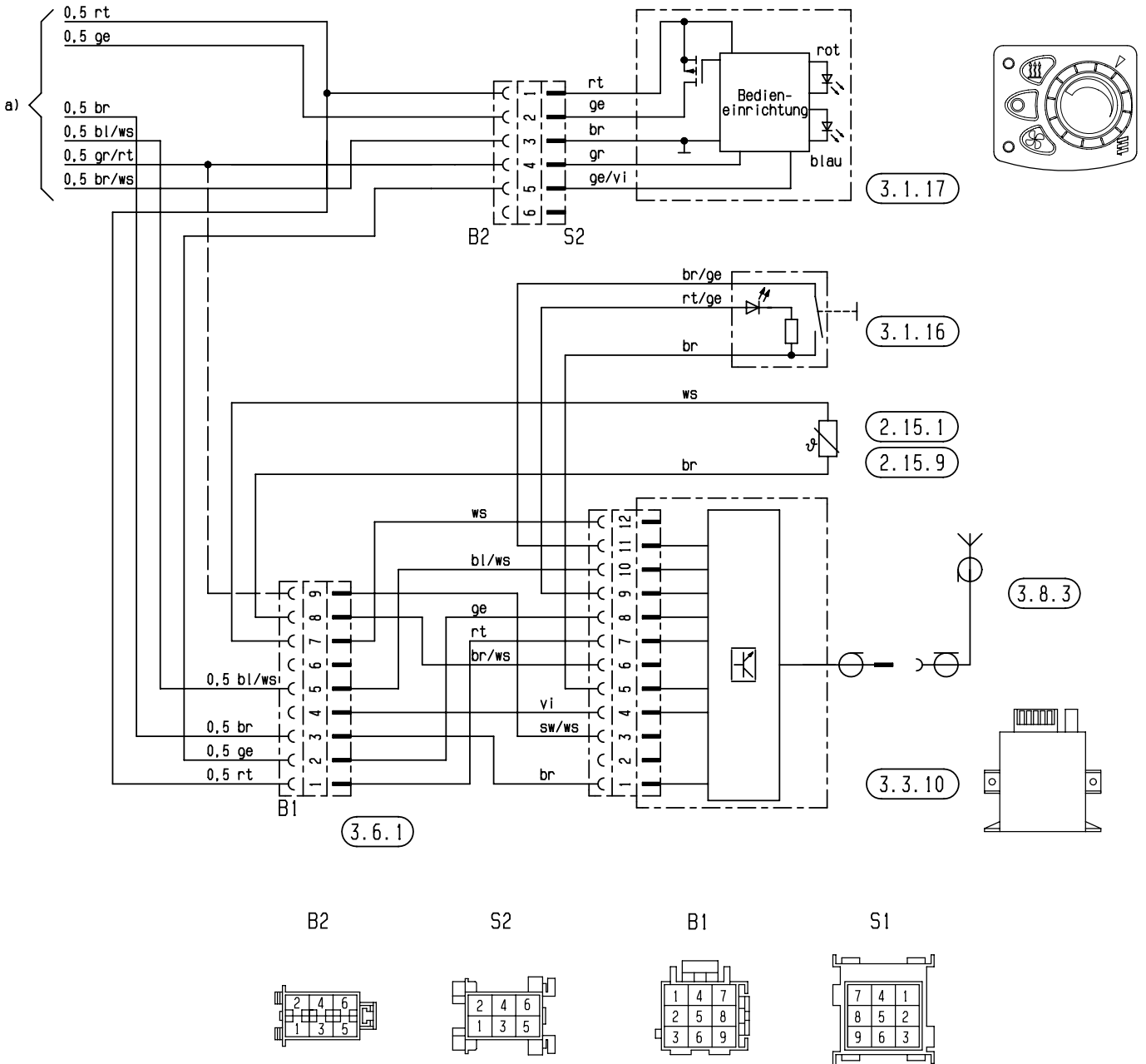






# 6 Circuit diagram

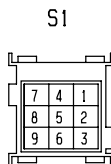
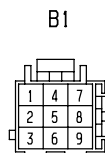
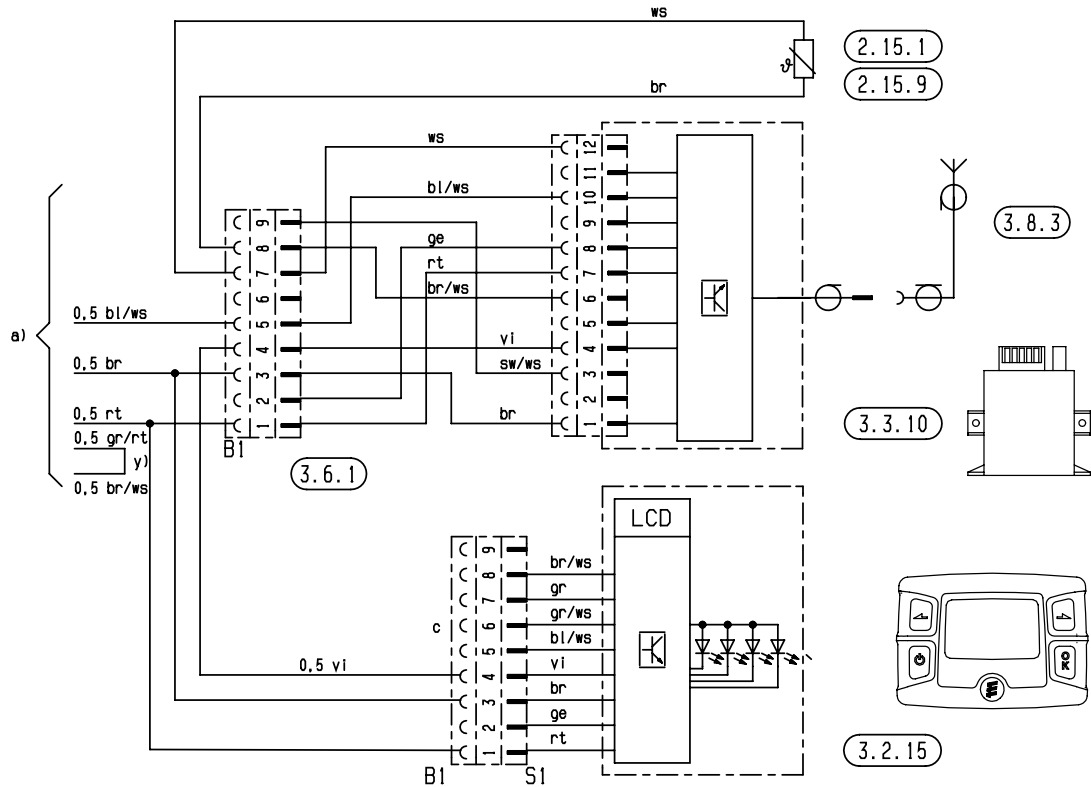
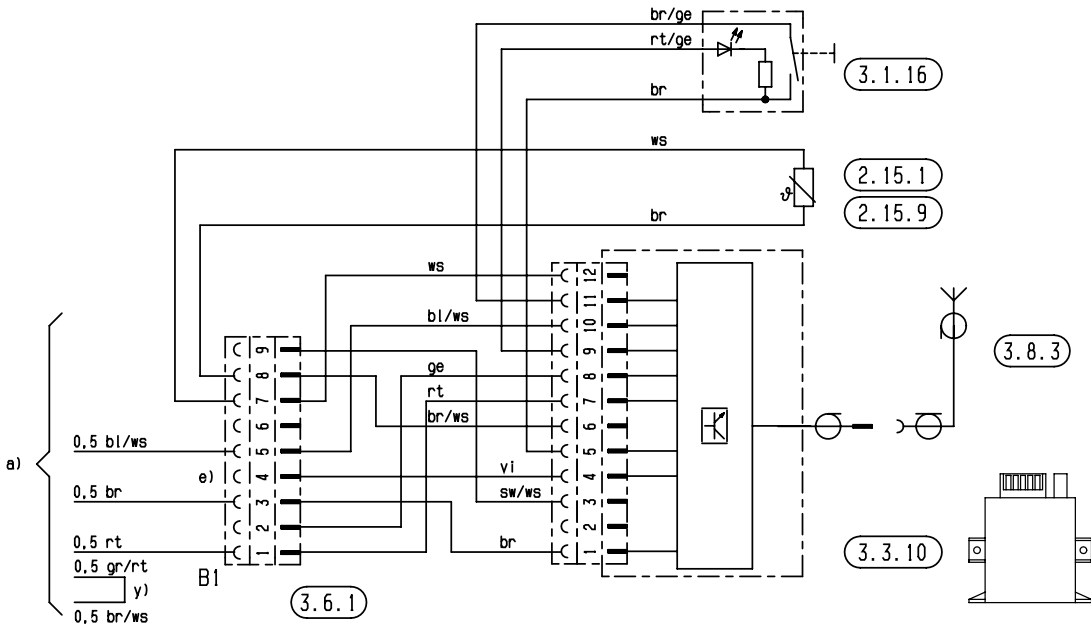
**EasyStart R+ control unit circuit diagram**  
 (Control box with one diagnostics cable)



# 6 Circuit diagram

## EasyStart R+ control unit circuit diagram

(Control box with two diagnostics cables)

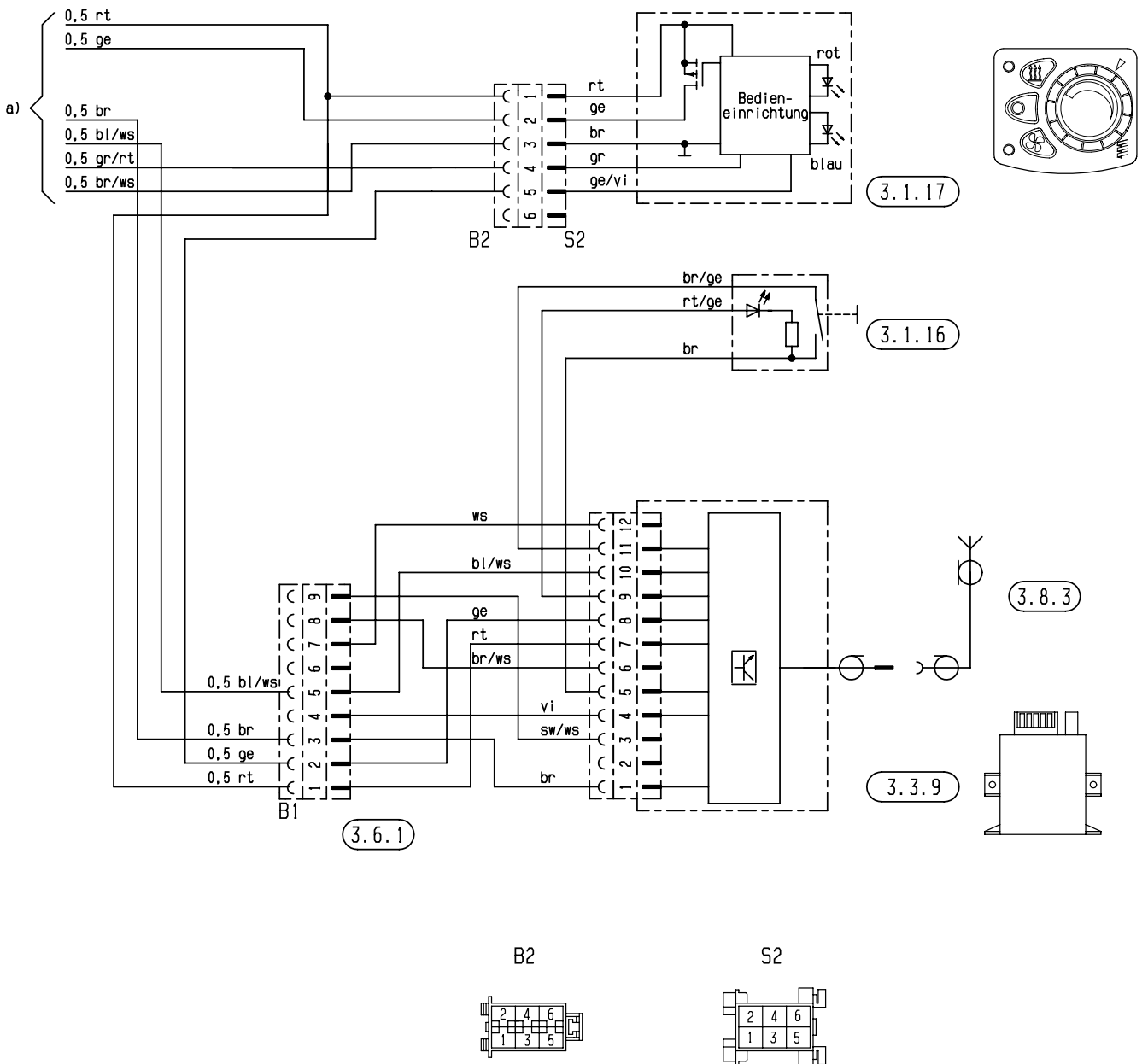




# 6 Circuit diagram

## EasyStart R control unit circuit diagram

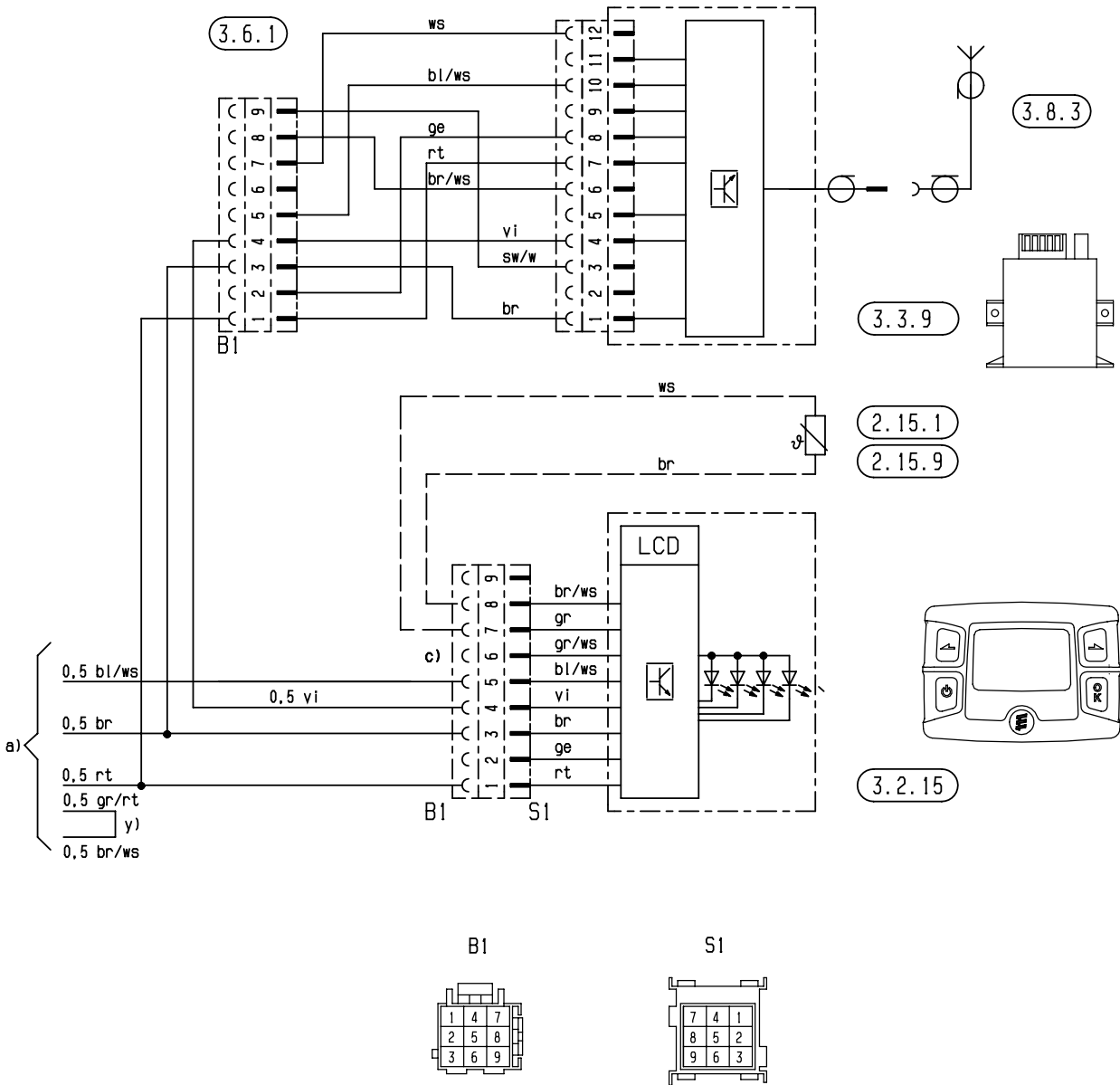
(Control box with one or two diagnostics cables)



# 6 Circuit diagram

## EasyStart R control unit circuit diagram

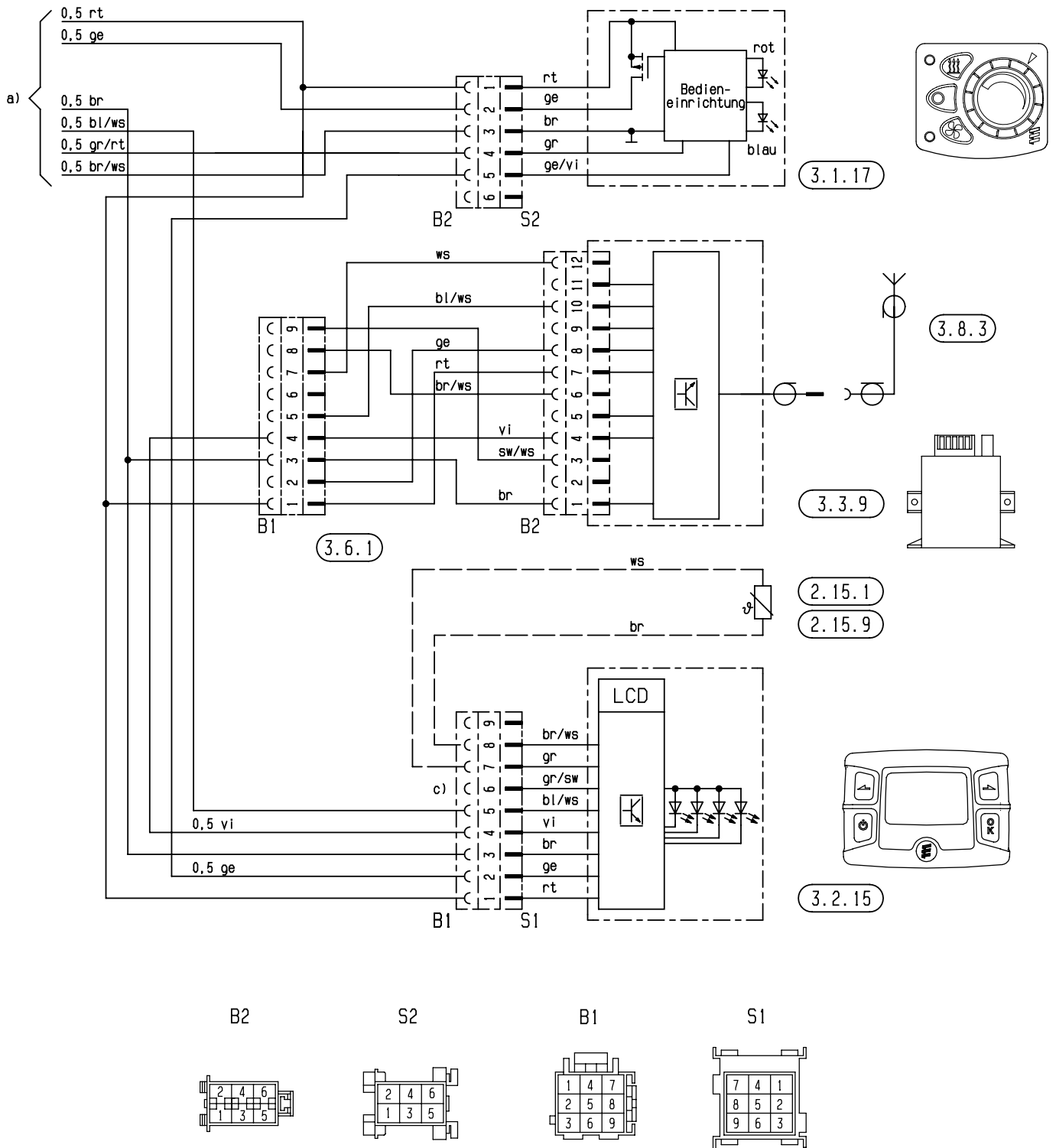
(Control box with two diagnostics cables)





# 6 Circuit diagram

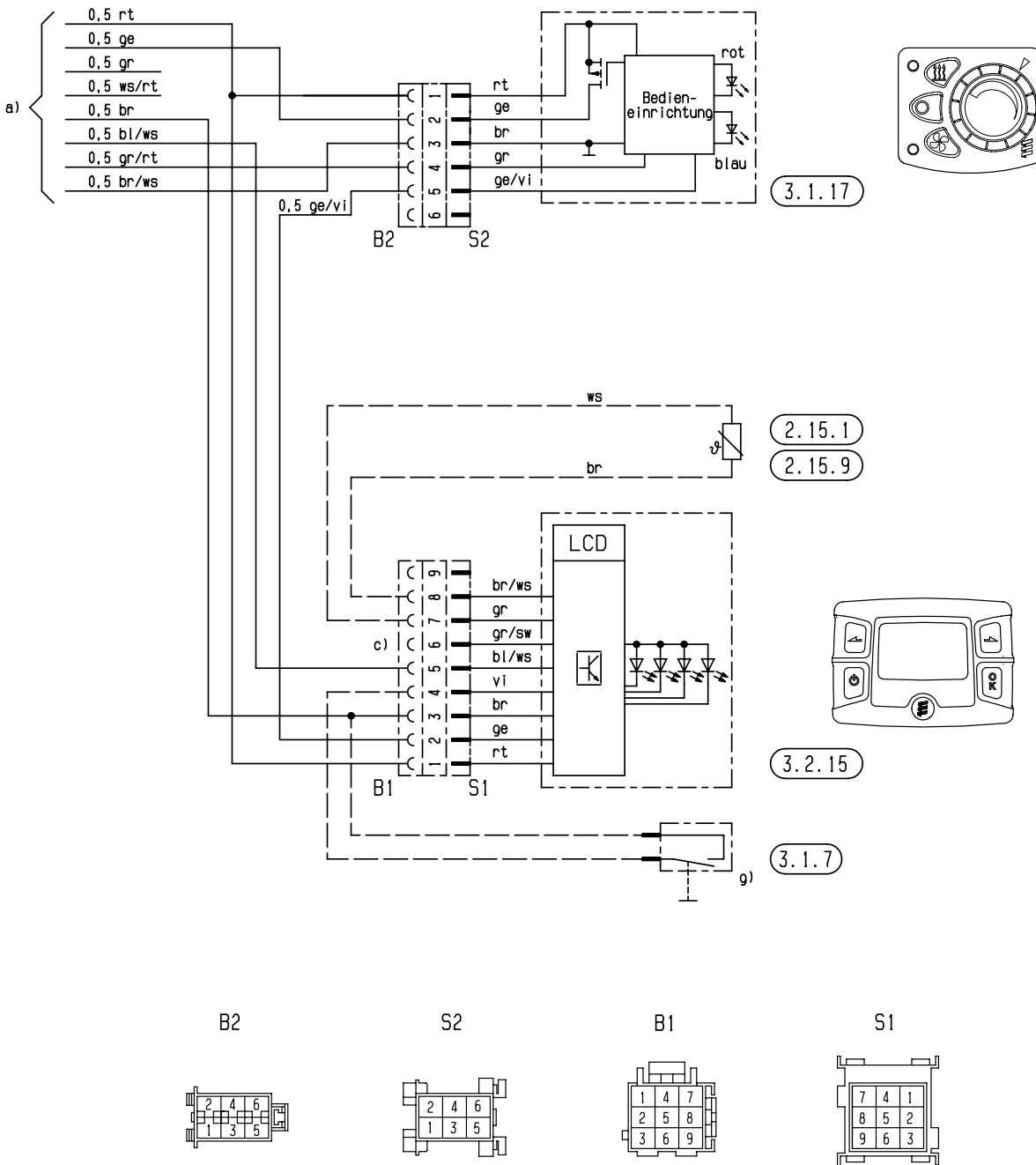
**EasyStart R control unit circuit diagram**  
(Control box with one diagnostics cable)



# 6 Circuit diagram

## EasyStart T control unit circuit diagram

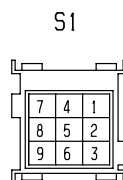
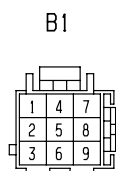
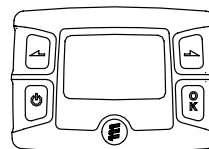
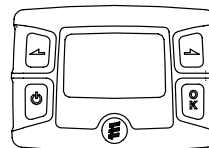
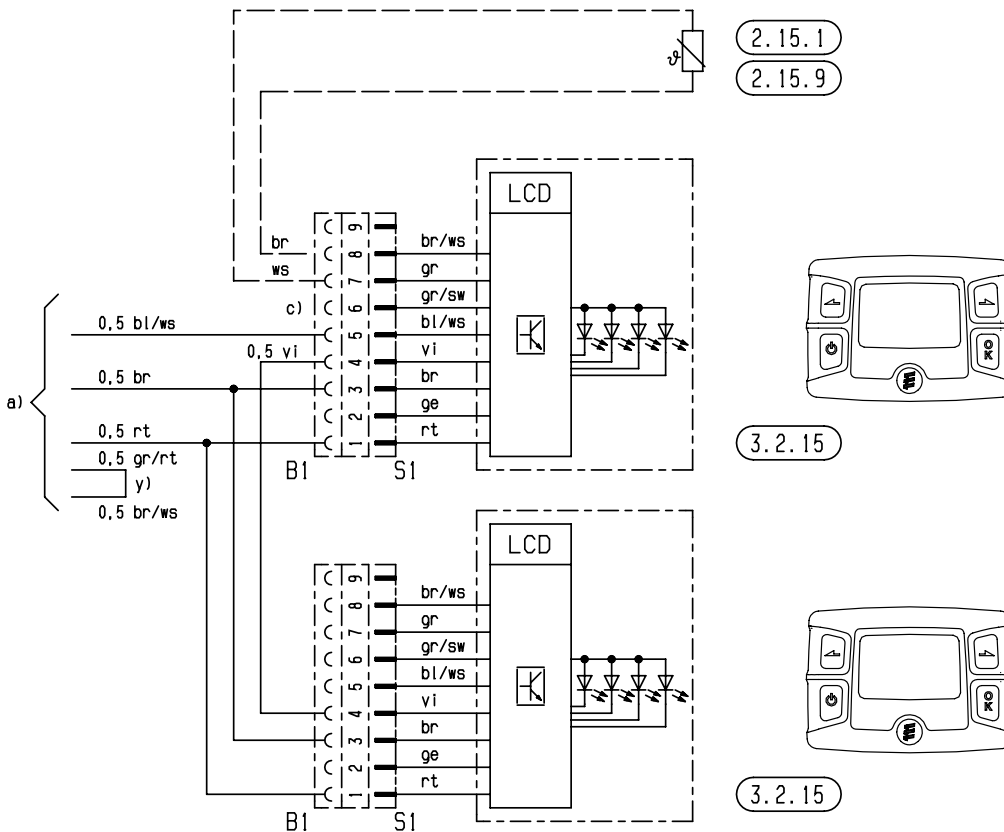
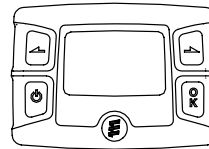
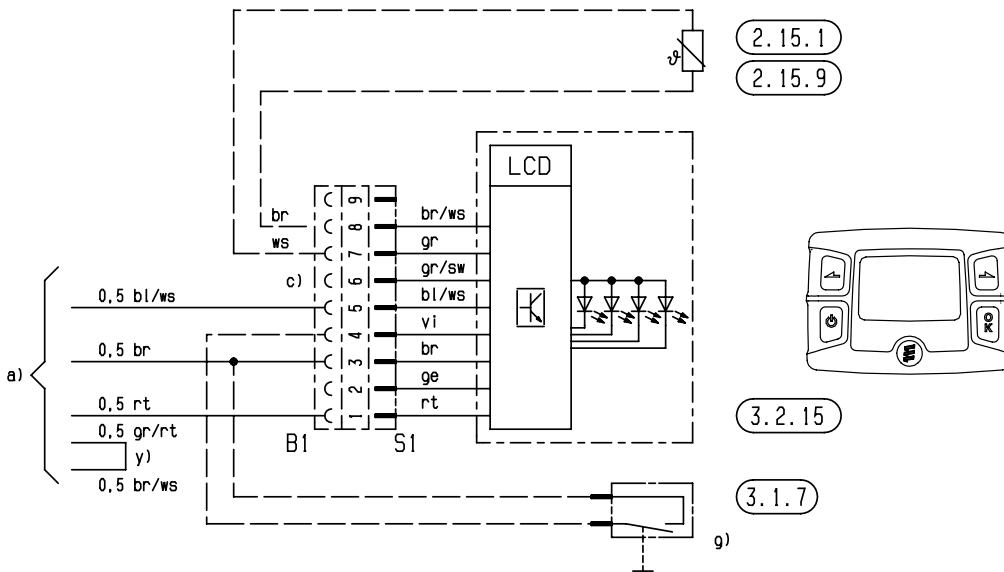
(Control box with one diagnostics cable)





# 6 Circuit diagram

**EasyStart T control unit circuit diagram**  
(Control box with two diagnostics cables)





# 6 Circuit diagram

## Parts list circuit diagrams *Airtronic / Airtronic M – ADR*

- 1.1 Burner engine
  - 1.2 Glow plug
  - 1.5 Overheating and flame sensor
  - 2.1 Control box
  - 2.2 Metering pump
  - 2.7 Main fuse 12 volt = 20 A  
24 volt = 10 A
  - 2.7.1 Fuse, actuation 5 A
  - 5.1 Battery
  - 5.2.1 Operating switch battery d)  
(operation controlled e.g. via ignition lock)  
Emergency off function for  
ADR – Item 5.2.2 – 5.5
  - 5.2.2 Isolating switch battery d)
  - 5.3 Auxiliary drive HA+
  - 5.3.1 Switch, auxiliary drive
  - 5.5 Generator D+
- a) Connection of control unit and external sensor corresponding to “control units” circuit diagram
- rt Power supply, plus - terminal 30
  - ge Switch-on signal - S+
  - gr Temperature - actual value
  - wsrt Switch off the anti-theft alarm system (ADR – feedback signal for timer)
  - br Power supply, minus - terminal 31
  - blws Diagnosis
  - grt Temperature setpoint value
  - brws Ground connection for external temperature sensor and temperature setpoint
- b) Option
- Vehicle fan control  
and / or
  - separate fresh air fan
- c) Wiring for operation with ADR (hazardous goods transport in utility vehicle segment, e.g. tanker)
- d) If only one switching element is used for items 5.2.1 and 5.2.2, it is important to ensure that on activating the “open the battery isolating switch” function (EMERGENCY OFF function in ADR, etc.), the switch always breaks contact immediately (regardless of the heater condition) and all the heater’s circuits are disconnected from the battery.

### Please note!

- **Note heater type!**
- The jumper labelled with y) in the circuit diagram must always be connected.
- Insulate unused cable ends.
- Connectors and bush housings are shown from the cable inlet side.

### Assignment of the circuit diagrams for Airtronic heaters

The circuit diagrams are assigned via the installed control box:

- Control box with one diagnostics cable:  
At the 16 pin connector the diagnostics cable bl/ws is connected to chamber 8.
- Control box with 2 diagnostics cables and JE diagnosis:  
At the 16 pin connector the diagnostics cable bl/ws is connected to chamber 3, the diagnostics cable bl/ge is connected to chamber 8.

### Cable colours circuit diagrams

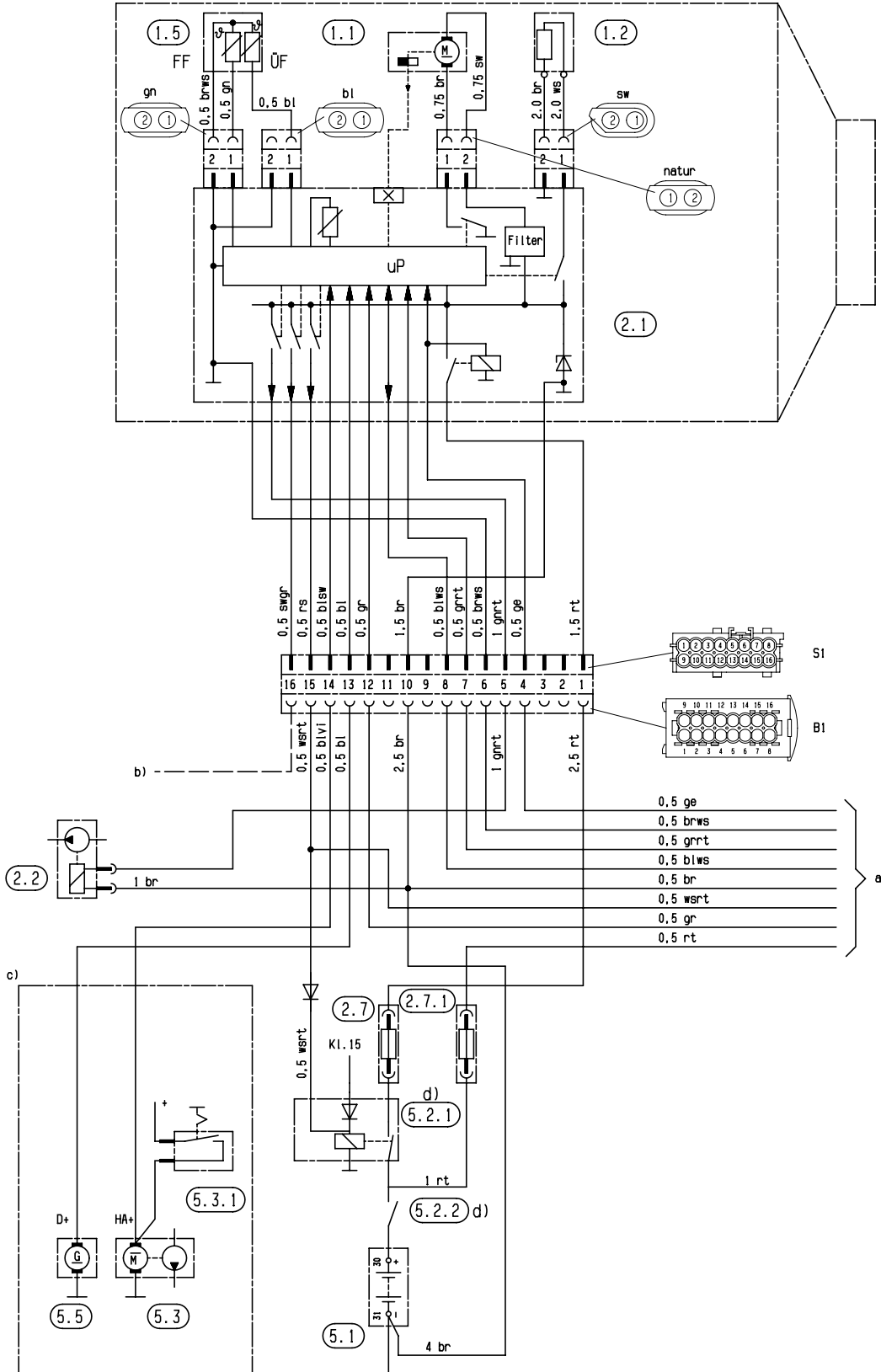
sw = black  
ws = white  
rt = red  
ge = yellow  
gn = green  
vi = violet  
br = brown  
gr = grey  
bl = blue  
li = purple

# 6 Circuit diagram

## Circuit diagram – Airtronic / Airtronic M – ADR

**Bitte beachten!**

This circuit diagram is for heaters with one diagnostics cable and whose control box cable loom is firmly encapsulated.

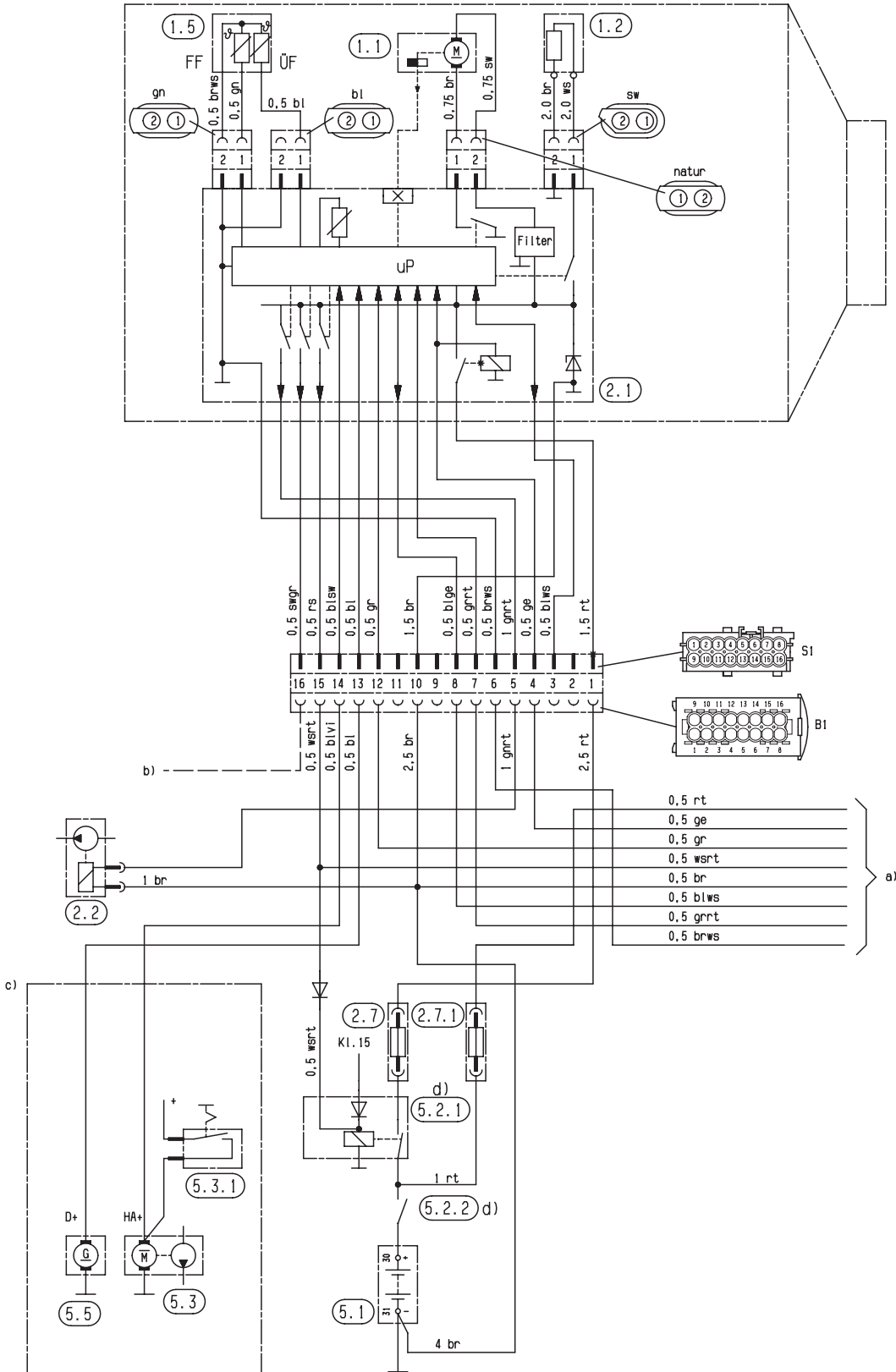


# 6 Circuit diagram

## Circuit diagram – Airtronic / Airtronic M – ADR

**Bitte beachten!**

This circuit diagram is for heaters with 2 diagnostics cable and whose control box cable loom is wound with cable tape.





## 6 Circuit diagram

### Parts list circuit diagram control units – ADR

- 2.15.1 Temperature sensor, external (room temperature)
- 3.1.11 Control unit, round
- 3.1.17 Mini controller Airtronic
- 3.2.8 Module timer (ADR – potentiometer)
- 3.9.1 Diagnosis, JE diagnosis
  - a) Connection control elements to the Airtronic
    - rt Power supply, plus – terminal 30
    - ge Switch-on signal – S+
    - gr Temperature – actual value
    - wsrt Switch off burglar alarm (ADR – feedback for timer)
    - br Power supply, minus – terminal 31
    - blws Diagnosis
    - grrt Temperature – setpoint
    - brws Ground connection for external temperature sensor and temperature setpoint
  - b) Terminal 15
  - c) Lighting, terminal 58
  - d) Connection, diagnostic unit
  - e) Connection, external temperature sensor

#### Please note!

- Insulate unused cable ends.
- Connectors and bush housings are shown from the cable inlet side.

### Cable colours circuit diagrams

sw = black  
ws = white  
rt = red  
ge = yellow  
gn = green  
vi = violet  
br = brown  
gr = grey  
bl = blue  
li = purple

### Parts list circuit diagrams control unit EasyStart T – ADR

- 3.1.7 “OFF” button
- 3.1.17 “Mini controller” control unit
- 3.2.15 Timer EasyStart T
  - a) Connection of control units at the heater
  - g) Connection “ON / OFF” key (optional e.g. Order No.: 22 1000 32 84 00)
  - x) ADR jumper
  - y) Connect and insulate cables

#### Please note!

- The jumper labelled with y) in the circuit diagram must always be connected.
- Insulate unused cable ends.
- Connectors and bush housings are shown from the cable inlet side.

### Assignment of the circuit diagrams for Airtronic heaters

The circuit diagrams are assigned via the installed control box:

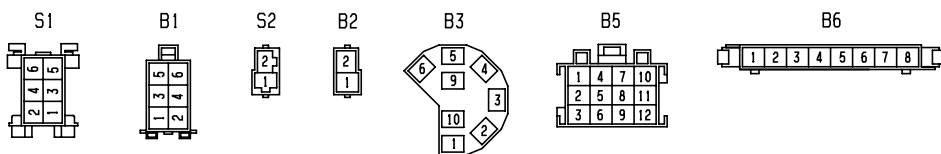
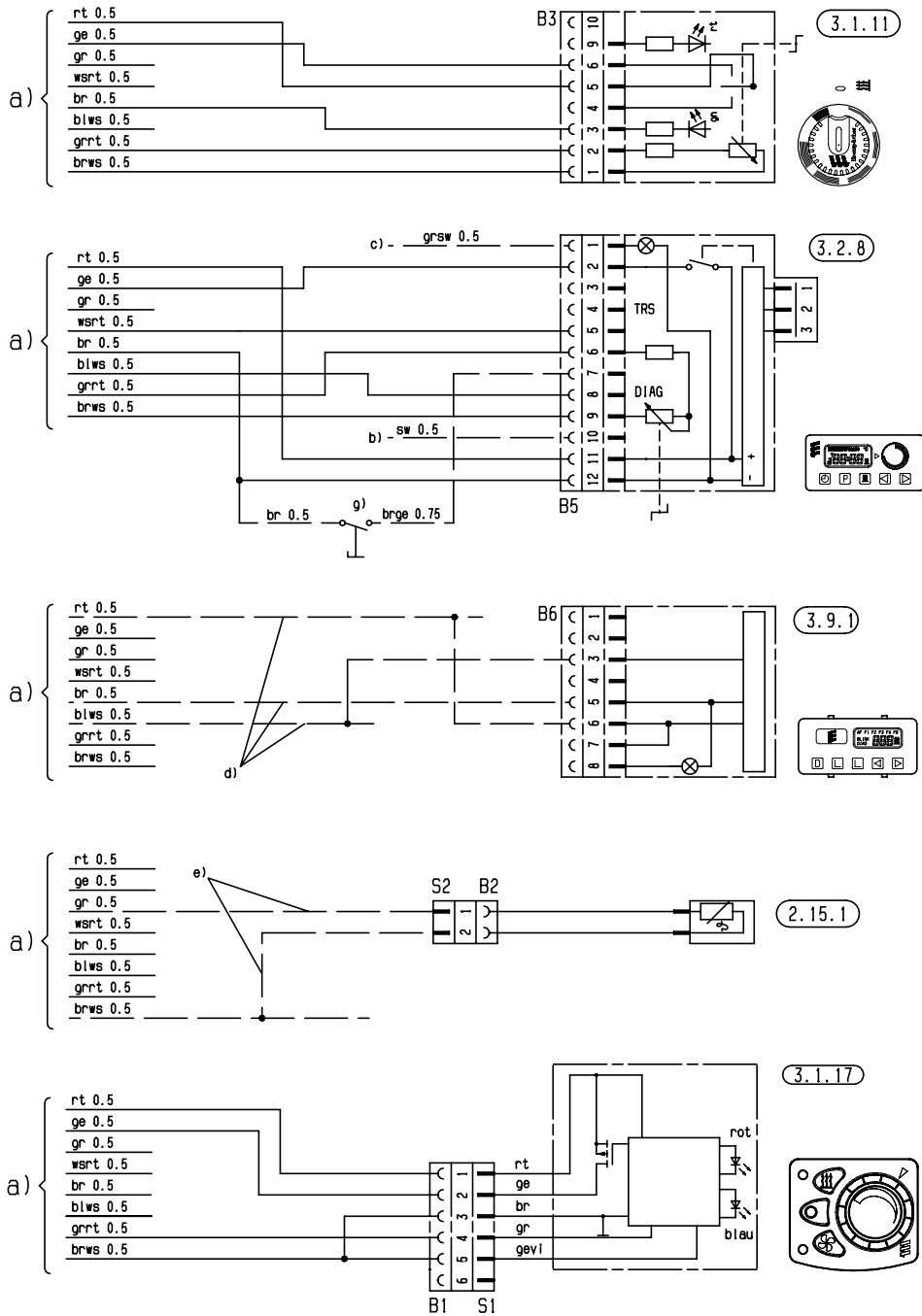
- Control box with 2 diagnostics cables and JE diagnosis:  
At the 16 pin connector the diagnostics cable bl/ws is connected to chamber 3, the diagnostics cable bl/ge is connected to chamber 8.
- Control box with one diagnostics cable:  
At the 16 pin connector the diagnostics cable bl/ws is connected to chamber 8.

### Cable colours circuit diagrams

sw = black  
ws = white  
rt = red  
ge = yellow  
gn = green  
vi = violet  
br = brown  
gr = grey  
bl = blue  
li = purple

# 6 Circuit diagram

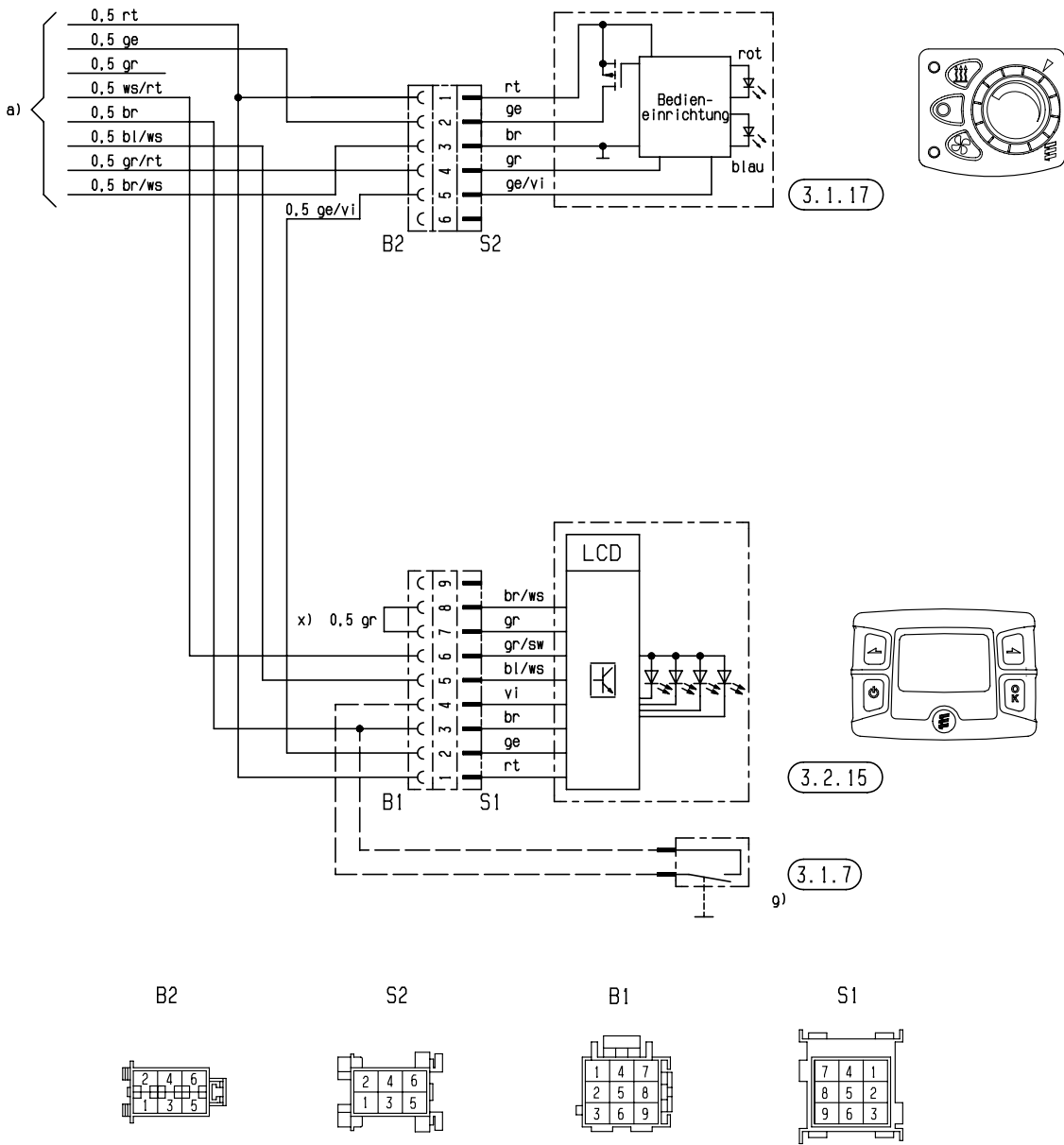
## Circuit diagram, control units – ADR





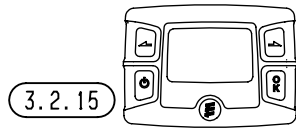
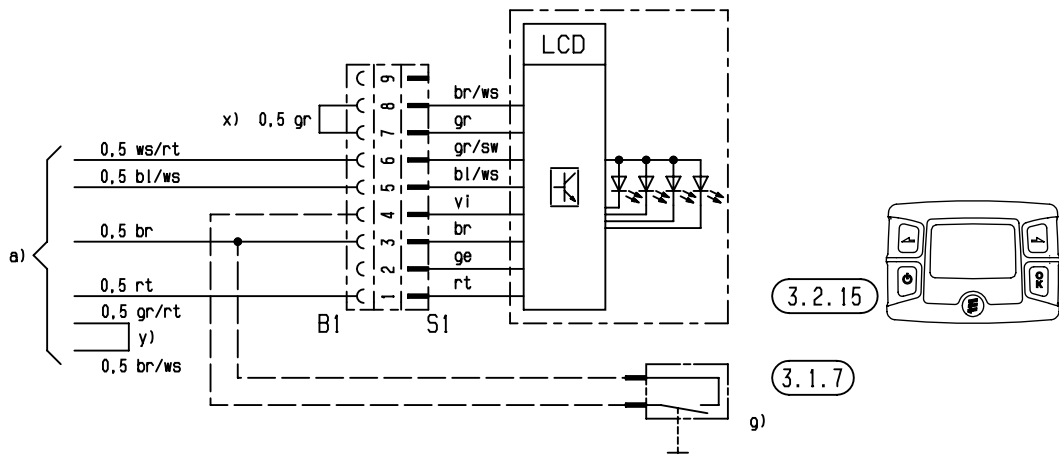
# 6 Circuit diagram

**Circuit diagram, control unit EasyStart T – ADR**  
 (Control box with one diagnostics cable)

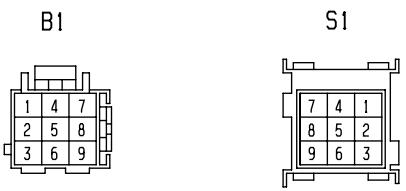
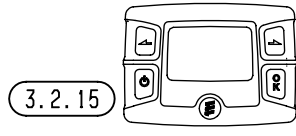
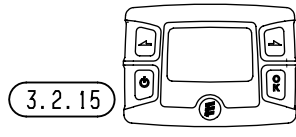
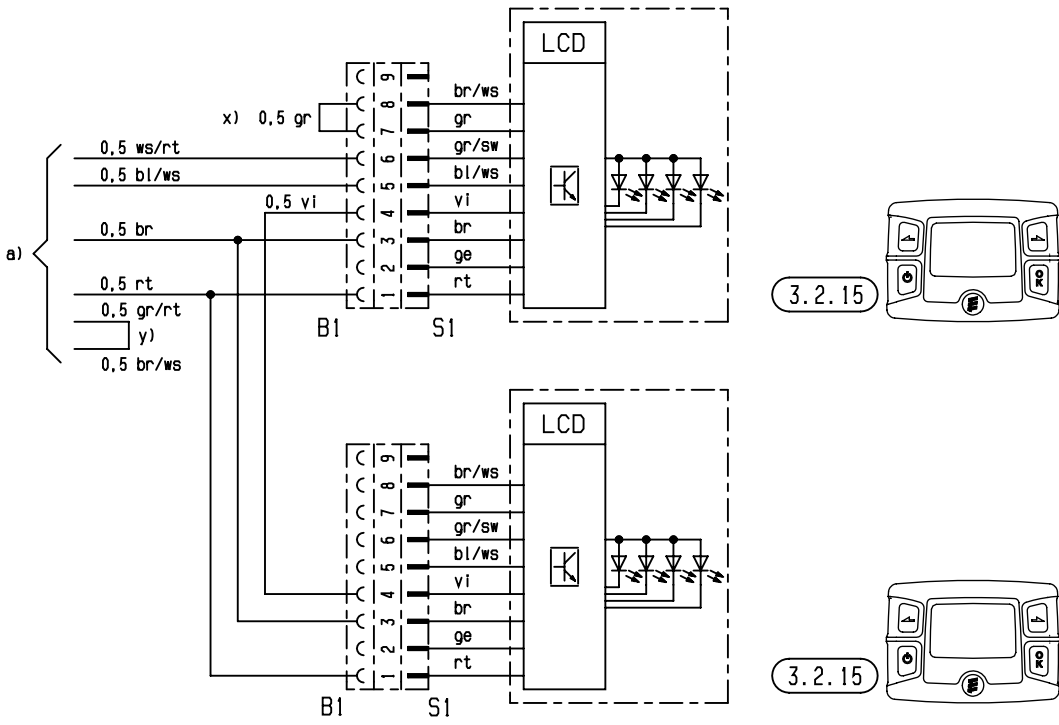


# 6 Circuit diagram

Circuit diagram, control unit EasyStart T – ADR  
 (Control box with two diagnostics cables)



3.1.7





## 7 Service

### Certification

The high quality of Eberspächer's products is the key to our success.

To guarantee this quality, we have organised all work processes in the company along the lines of quality management (QM).

Even so, we still pursue a large number of activities for continuous improvement of product quality in order to keep pace with the similarly constantly growing requirements made by our customers.

All the steps necessary for quality assurance are stipulated in international standards.

This quality is to be considered in a total sense.

It affects products, procedures and customer / supplier relations.

Officially approved public experts assess the system and the corresponding certification company awards a certificate.

Eberspächer has already qualified for the following standards:

**Quality management in accordance with  
DIN EN ISO 9001:2000 and ISO/TS 16949:1999**

**Environmental management system in accordance with  
DIN EN ISO 14001:1996**

### Disposal

#### Disposal of materials

Old devices, defect components and packaging material can all be separated and sorted into pure-grade fractions so that all parts can be disposed of as required in an environment-friendly manner recycled where applicable.

Electric motors, control boxes and sensors (e.g. temperature sensors) are deemed to be "electronic scrap".

#### Dismantling the heater

The heater is dismantled according to the repair stages in the current troubleshooting / repair instructions.

#### Packaging

The packaging of the heater can be kept in case it has to be sent back.

### EC Declaration of Conformity

With regard to the following products

#### Heater type Airtronic / Airtronic M

we herewith confirm that it conforms with the prime safety requirements stipulated in the directives of the EU Council for harmonisation of the legal regulations of the member states with regard to electromagnetic compatibility (89 / 336 / EEC). This declaration applies to all heaters produced according to the production drawings Airtronic / Airtronic M – which are an integral part of this declaration.

The following standards / directives have been used to assess the product with regard to electromagnetic compatibility:

- EN 50081 – 1 Basic form interference emission
- EN 50082 – 1 Basic form of interference immunity
- 72 / 245 / EEC – Modification status 2006 / 28 / EC. Interference suppression in motor vehicles.



# 7 Service

## List of key words / A – Z index

Keyword	Page	Keyword	Page
<b>A</b>		<b>P</b>	
Accident prevention.....	4	Parts list circuit diagram control units.....	49
ADR .....	7, 59, 69	Parts list circuit diagram control units – ADR.....	61
Always observe the following safety instructions before working on the heater .....	28	Parts list circuit diagrams.....	38, 58
AMP release tool .....	28	Parts list circuit diagrams, control units .....	41
Assembly drawing .....	29	<b>R</b>	
Assignment of the circuit diagrams .....	49	Repair instructions.....	28, 30
<b>B</b>		Representatives abroad.....	66, 67
basic adapter .....	19	<b>S</b>	
<b>C</b>		Service .....	65
Cancel the control box lock .....	16, 20	Special tool.....	28
cancel the control box lock.....	17	Starting Airtronic.....	6
Certification .....	65	Starting Airtronic M.....	6
Check combination sensor .....	32	Switching off.....	6
Check fuel supply .....	36	Switching on.....	6
Check values.....	12	<b>T</b>	
Circuit diagram .....	37	Table of flame sensor values .....	32
Circuit diagram, control units .....	42	Table of overheating sensor values .....	32
Control and safety devices.....	7	Table of values – fuel quantity .....	36
Control in the heating mode.....	6	Technical data .....	8, 9, 10, 11
Cutaway view .....	5	Temperature selection.....	6
<b>D</b>		Testing device for the control device .....	15
Description of functions .....	6	TP5 radio remote control .....	21
Diagnostic unit.....	15	Troubleshooting.....	13
Disposal .....	65	<b>V</b>	
<b>E</b>		Ventilating mode.....	6
EasyStart R+ radio remote control.....	22	<b>W</b>	
EasyStart T timer .....	22	What to check first .....	13
EC Declaration of Conformity.....	65		
EC type-approval.....	69		
EDiTH diagnostic tool .....	17, 19		
EMC directive .....	69		
EMERGENCY OFF .....	7		
Emergency shutdown.....	7		
<b>F</b>			
FAME .....	69		
Fault code .....	23		
Fault description.....	23		
Forced shut-down .....	7		
Foreword.....	4		
<b>I</b>			
Important information .....	4		
ISO adapter.....	17		
<b>L</b>			
List of abbreviations.....	69		
<b>M</b>			
Measuring the fuel quantity.....	36		
Module timer .....	20		
<b>O</b>			
Overview of the parts lists and circuit diagrams.....	37		



## 7 Service

---

### List of abbreviations

#### **ADR**

European agreement about the international transport of dangerous goods on the road.

#### **EC type-approval**

Permit awarded by the Federal Vehicle Office for the production of a heater for installation in motorised vehicles.

#### **EMC directive**

Electromagnetic compatibility.

#### **JE-Partners**

J. Eberspächer partner.

#### **FAME** (biodiesel)

FAME for diesel engines according to DIN EN 14 214.

[www.eberspaecher.com](http://www.eberspaecher.com)

Eberspächer Climate  
Control Systems  
GmbH & Co. KG  
Eberspächerstraße 24  
73730 Esslingen  
info@eberspaecher.com  
www.eberspaecher.com

