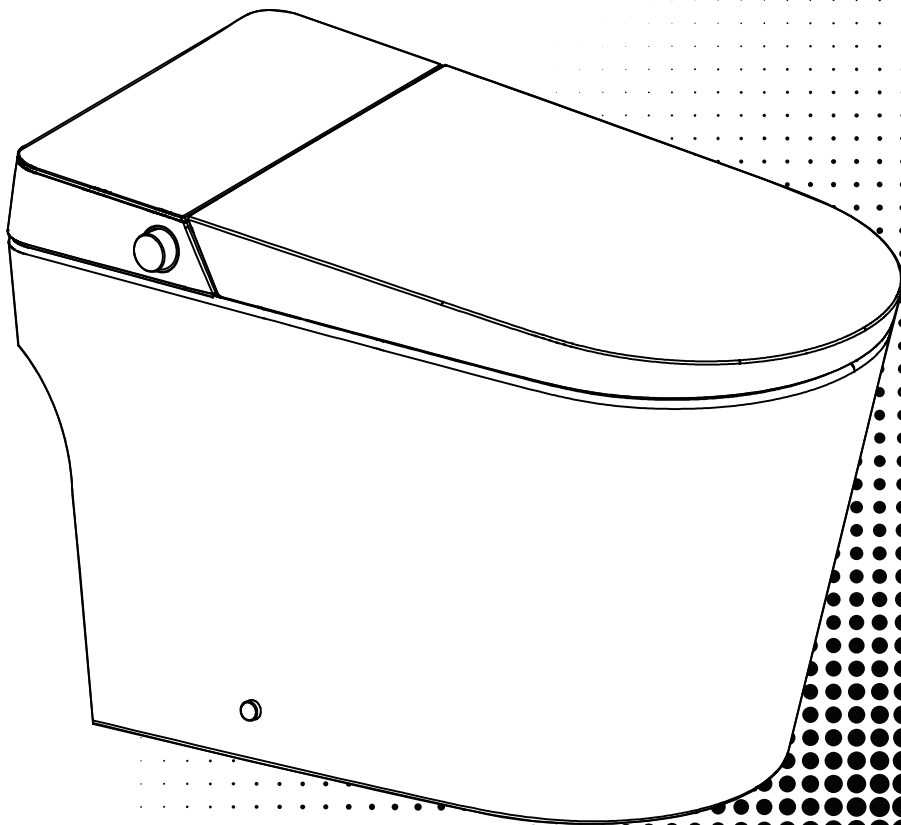


ALPHA

— B I D E T —

UXT Pearl



# Content

## Installation

<b>Safety instructions</b>	01
<b>Technical specification</b>	03
<b>List of materials</b>	05
<b>Technical drawing</b>	06
<b>Parts identification</b>	07
<b>Toilet installation</b>	08
<b>Preparation</b>	10
<b>Automatic lid open/close</b>	11
<b>Seat sensor</b>	11
<b>Foot sensor</b>	12

## Maintenance

<b>Maintenance</b>	13
1. Cleaning the main unit	
2. Spray nozzle maintenance and care	
<b>Maintenance &amp; troubleshooting</b>	14
1. Filter maintenance	
2. Manually flushing the toilet	
3. No power flushing	
4. Backup battery replacement	
5. Failure to remote control	
6. Toilet will be left unused for > 3 weeks	
7. To discharge water	

## Others

<b>Side control knob functions</b>	16
<b>Troubleshooting guide</b>	17

# IMPORTANT SAFEGUARDS

When using electrical products, especially when children are present, basic safety precautions should always be followed, including the following:

1. The appliance is not to be used by persons (including children) with reduced physical, sensory or mental capabilities, or lack of experience and knowledge, unless they have been given supervision or instruction.
2. This appliance can be used by children aged from 8 years and above and persons with reduced physical, sensory or mental capabilities or lack of experience and knowledge if they have been given supervision or instruction concerning use of the appliance in a safe way and understand the hazards involved.
3. Children shall not play with the appliance.
4. Cleaning and user maintenance shall not be made by children without supervision.



## READ ALL INSTRUCTIONS BEFORE USING

**DANGER** -To reduce the risk of electrocution:

1. Do not use while bathing.
2. Do not place or store product where it can fall or be pulled into a tub or sink.
3. Do not place in or drop into water or other liquid.
4. Do not reach for a product that has fallen into water. Unplug immediately.
5. Do not wash the main unit or electrical plug with water or detergent.
6. Do not handle the electrical plug with wet hands.
7. Never block the outlet of the air dryer.
8. Never disassemble, repair or modify this product.
9. During installation, disassembly, repair and maintenance of the product, the power plug must be switched off and water supply be shut off.



**WARNING** -To reduce the risk of burns, electrocution, fire, or injury to persons.

1. Close supervision is necessary when this product is used by, on, or near children or individuals with disabilities.
2. Use this product only for its intended use as described in this manual. Do not use attachments not recommended by the manufacturer.
3. Never operate this product if it has a damaged cord or plug, if it is not working properly, if it has been dropped or damaged, or dropped into water. Return the product to a service center for examination and repair.
4. Keep the cord away from heated surfaces.
5. Never use while sleeping or drowsy.
6. Never drop or insert any object into any opening or hose.
7. Do not use outdoors or operate where aerosol (spray) products are being used or where oxygen is being administered.
8. Connect this product to a properly grounded outlet only. See Grounding Instructions.
9. Do not throw cigarettes and other burning materials into toilet, otherwise it might cause fire.
10. This product is an electric appliance, so it must be placed far away from water and other liquid.
11. Do not lay the product on its side or upside down during the electrical circuit.
12. It is prohibited to use other electric appliances in the same socket.
13. It is forbidden to use the power extension or unstable loose outlet.
14. Do not reuse any existing water supply hoses, otherwise it might cause leakage, fire or electrical shock. Installation should include specified components and a new water supply hose.

# IMPORTANT SAFETY INSTRUCTIONS



**CAUTION** – Indicates that failure to follow the instruction may cause body injury or property damage.

1. Do not install or use the product in wet places as steam room etc.
2. It is recommended to use water-proof electrical outlet which should be installed in a place where is not easily to get wet.
3. This product should be used with 110V-120V, 50/60Hz electrical current only, load current is at least 15A. Power plug must be equipped with ground fault circuit interrupter or ground fault electrical leakage protector or similar high sensitive, rapid type leakage switch  
(Rated sensitive current under 6mA).
4. When it thunders, it is strongly recommended to pull out the power plug.
5. Do not use bleach, ammonia, or alcohol based chemical cleaners (most bathroom cleaners) on the bidet seat. This will result in discoloration and cracks over time.
6. Ceramic toilet must install floor fixing bolts.
7. Do not stand on ceramic toilet, seat, or lid.
8. Do not lean against the lid when using the product, to avoid damage.
9. This product is equipped with a soft-closing seat and lid. Do not push the toilet seat closed, or damage may occur.
10. Do not use any caustic chemicals or abrasive brusher to clean this product.
11. Exposure to direct sunlight is prohibited.
12. Only use tap water or potable water, otherwise it may cause chafing.
13. Do not connect water supply to heater outlet. Make sure inlet water temperature is between 3~35°C/37.4~95°F
14. When the room temperature is under zero degree, please drain the water tank, to avoid freezing.
15. Raise room temperature to prevent the toilet from damage due to freezing.
16. When moving the product from cold or wet environment into normal room temperature, wait for 2 hours until the condensation water is fully volatilized. Doing so can prevent the product from electrical short-circuit.
17. When not using the product over three(3) weeks, drain the water out of the toilet and pull the electrical plug from the wall outlet.
18. Stop using the product and shut off the power when product malfunctions. Call for professional service.

## GROUNDING INSTRUCTIONS

This product should be grounded. In the event of an electrical short circuit, grounding reduces the risk of electric shock by providing an escape wire for the electric current. This product is equipped with a cord having a grounding wire with a grounding plug. The plug must be plugged into an outlet that is properly installed and grounded.



**DANGER** – Improper use of the grounding plug can result in a risk of electric shock.

If repair or replacement of the cord or plug is necessary, do not connect the grounding wire to either flat blade terminal. The wire with insulation having an outer surface that is green with or without yellow stripes is the grounding wire.

This product is factory equipped with a specific electric cord and plug to permit connection to a proper electric circuit. Make sure that the product is connected to an outlet having the same configuration as the plug. No adapter should be used with this product. Do not modify the plug provided — if it will not fit the outlet, have the proper outlet installed by a qualified electrician. If the product must be reconnected for use on a different type of electric circuit, the reconnection should be made by qualified service personnel.

## SAVE THESE INSTRUCTIONS

# Technical specification

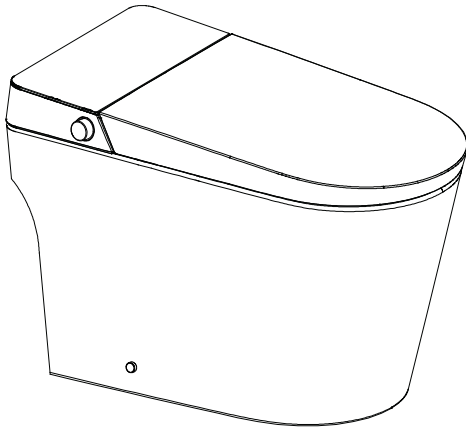
Model		UX-T
<b>Main Unit</b>	Rated voltage	110V-120V, 50/60Hz
	Rated power	785W
	Water proof	IPX4
	Power cord length	About 7ft
<b>Toilet</b>	Flush volume	1.28 gpf
	Flushing mode	Siphonic jet
	Rough-in	12"
	Outlet outside diameter	4"
	Drainage method	S-trap
	Water pressure range	0.18 MPa (dynamic pressure, flow rate of 5.81+ gal/min or 22.0+ L/min) - 0.8 MPa (static pressure)
<b>Cleaning device</b>	Heating mode	On demand
	Heating power	120V/1400W
	Water temperature	6-level adjustment
	Water volume	5-level adjustment
	Cleaning mode	Rear wash / Oscillating Front wash / Oscillating
	Nozzle position	5-level adjustment
	Water pressure protector	Pressure maintaining device, Automatic pressure relief device
	Anti-backflow	Anti-siphon device, air gap anti-backflow
	Safety device	Thermal fuse, Water temperature sensor, Ground protection, Thermostat, Over temperature protection, Leakage protection plug
<b>Drying device</b>	Warm air volume	Over 0.2m <sup>3</sup> /min
	Warm air temperature	6-level adjustment
	Heating power	250W
	Safety device	Thermal fuse, Temperature sensor, Thermostat

Model		UX-T
<b>Deodorizer</b>	Deodorization method	Photocatalyst-free
<b>Heated seat</b>	Surface temperature	6-level adjustment
	Heating power	50W
	Burn protection	After 10 minutes of use, the seat temperature will automatically drop slowly to a low level
	Safety device	Seat sensor, Temperature sensor, Thermostat, Thermal fuse, Leakage protection plug
<b>Convenience</b>	Night light assembly	Intelligent, Always on, Always off
	User ID setting	To avoid interference when used by multiple users
	Automatic flushing	Automatic flushing after use
	Foot sensor flushing function	Foot sensor flushing
	Flushing during power failure	Battery backup (9V)
	Lid opening	Lid auto-open

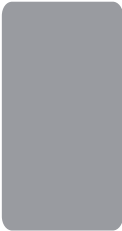
**Rated power:**

Under the condition of ambient temperature 23°C/73°F, water static pressure 0.18MPa ±0.02MPa, water temperature 15°C/59°F, power, water pressure, seat temperature, water temperature all set to the highest level in one rear washing cycle.

# List of materials



Main Unit



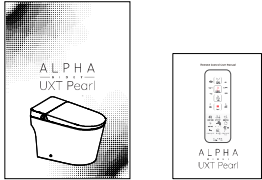
Remote Control and Wall Mount



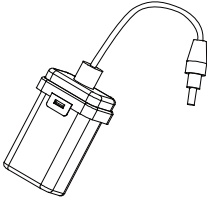
Sealing Flange



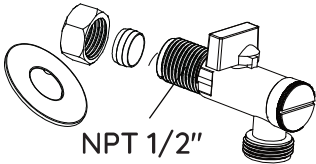
Installation Cardboard



Installation Manual  
Remote Manual



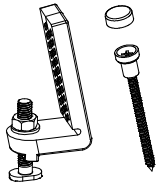
Battery Box



Angle Valve

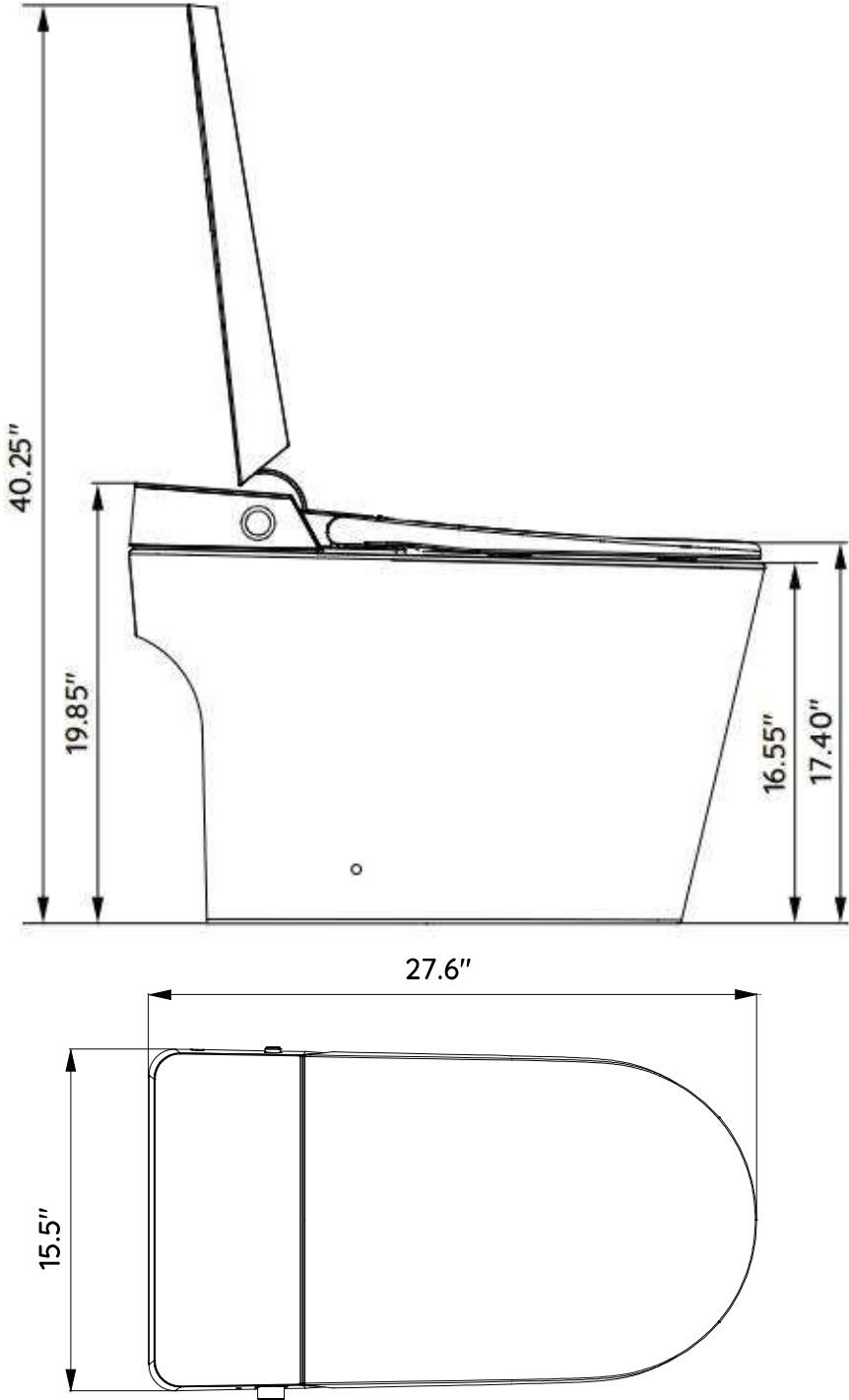


7/8" - 1/2" Braided Hose  
(Installed)



Mounting Kit x2

# Technical drawing

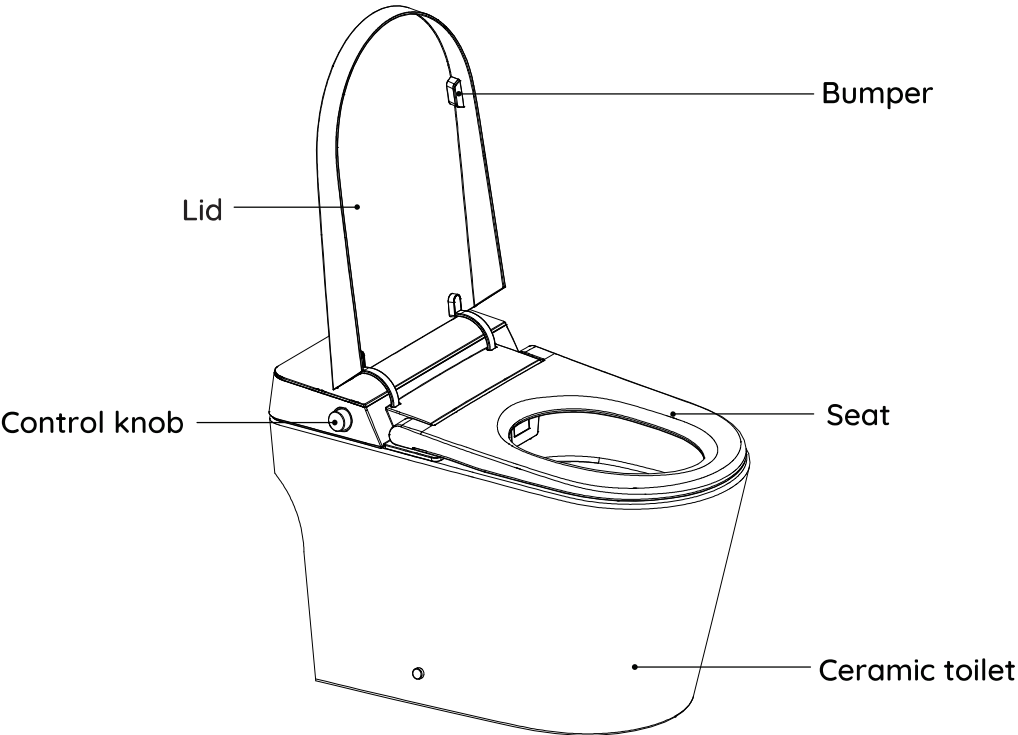


The drawing is for reference only, and we reserve the right to modify the product appearance.

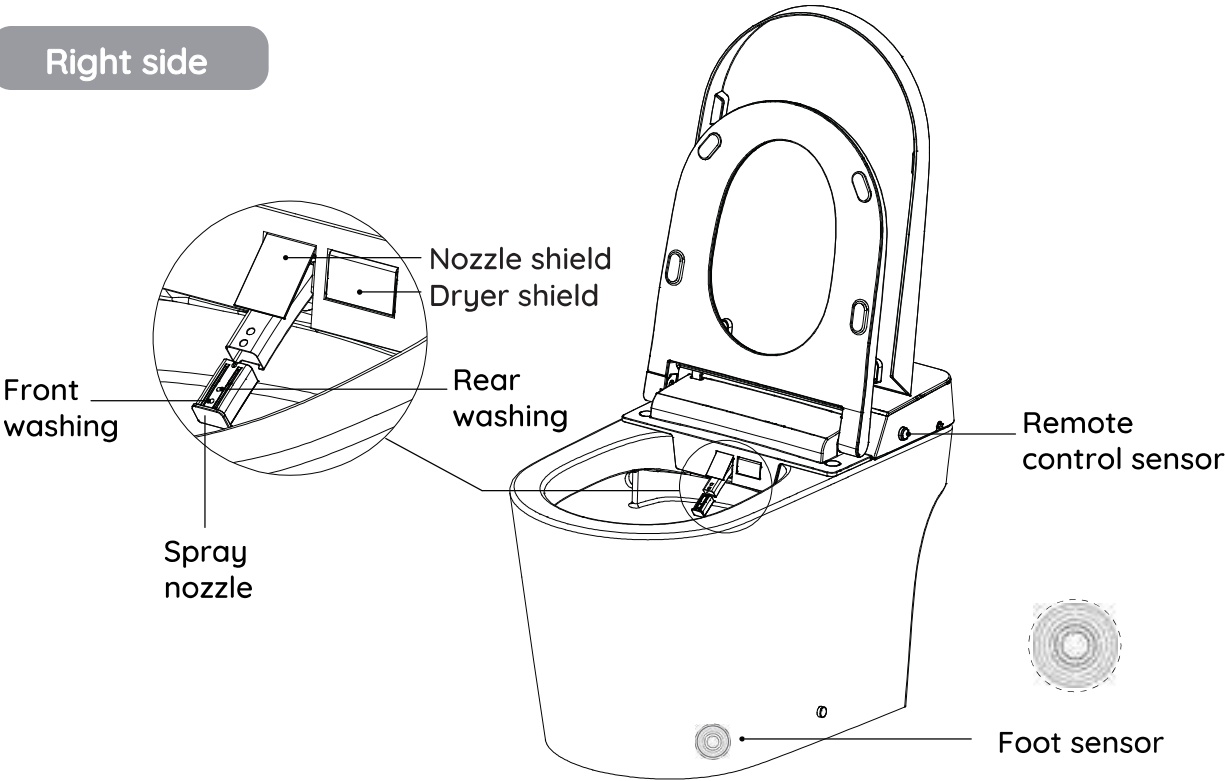


# Parts identification

Left side



Right side

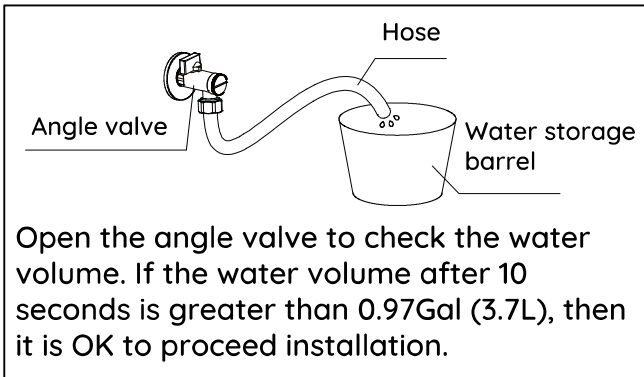


# Toilet installation

## ⚠️ Precaution before installing

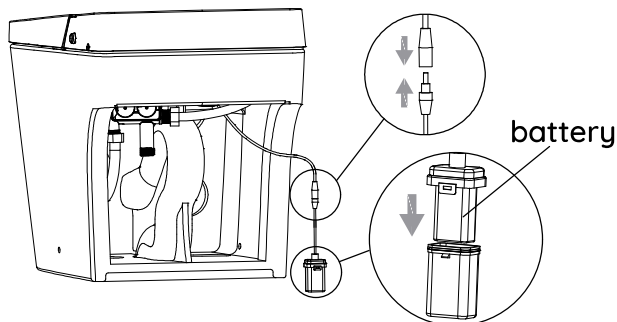
- Minimum dynamic working water pressure: 0.18+ MPa (5.81+ gal/min or 22+ L/min), failure to meet this pressure will not achieve the best flushing effect.

Note: Apply the methods below if you don't have water pressure testing device.



## 1. Installation of backup battery box

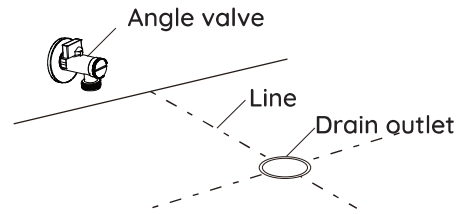
- The backup battery box allows you to flush the toilet in the event that your home loses power.
- Insert a 9V battery into the box and plug the connector into the wire harness under the toilet.
- Place battery box at the bottom of toilet.



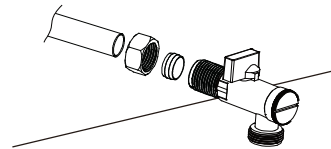
Note: It is recommended to use a high quality 6LR61 9V battery.

## 2. Installation of angle valve

- Please install the supplied 1/2' angle valve at the wall and use the supplied 7/8" - 1/2' Braided Hose to supply the toilet to ensure proper flushing performance.
- The supplied angle valve has an internal filter that will protect the toilet's components.
- Do not use your existing toilet's supply line to supply the UXT Pearl. Doing so will greatly reduce the performance of the product and shorten its lifespan.
- We highly recommend professional installation of the angle valve.
- Draw drain outlet centerline on the floor, and install the angle valve at least 8" away at an appropriate height to clear the toilet skirt.

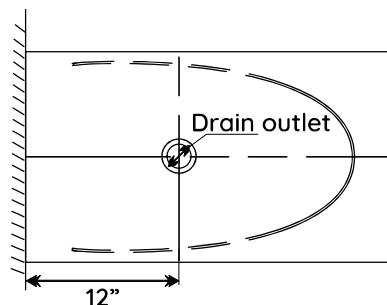


- 1/2" NPT compression inlet



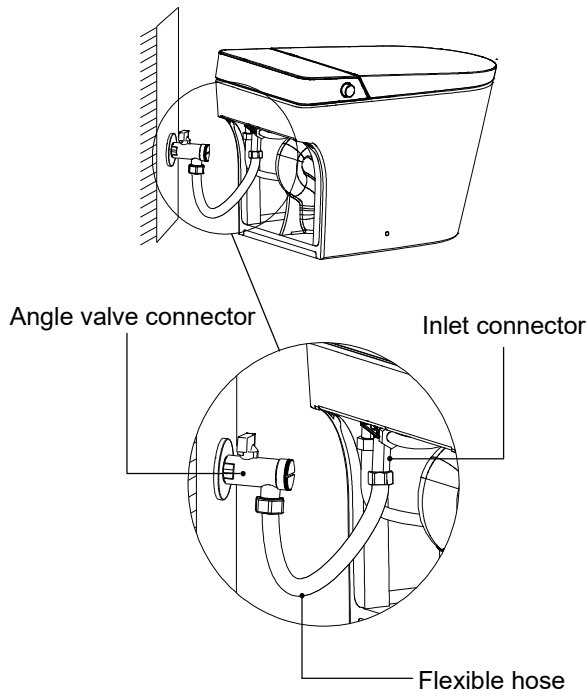
## 3. Cardboard template

- Align cardboard with the centerline of drain outlet
- Use template as a guide for positioning



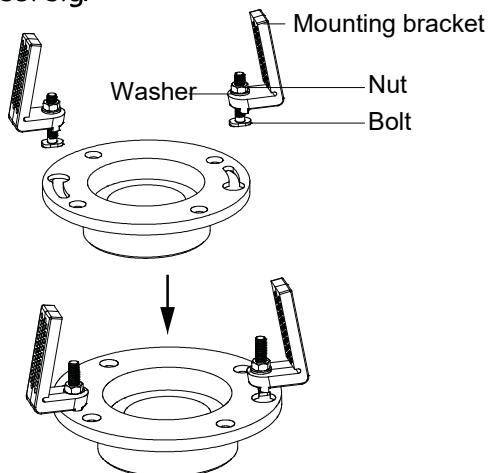
#### 4. Supply hose

- Using the included supply hose, connect the toilet inlet to the angle valve.
- Tighten securely and ensure the rubber O-rings at each hose end are present.
- Installing the included supply hose will ensure optimal flushing performance.



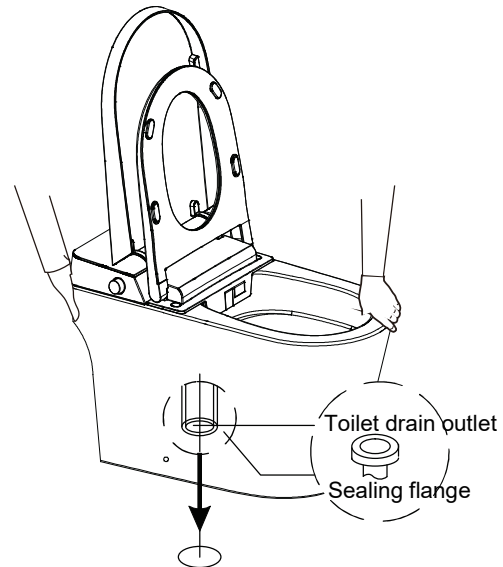
#### 5. Mounting bracket installation

- Loosely assemble the mounting brackets with bolts, nuts, and washers as below.
- Install them into your flange plate in the ground and then tighten the nuts securely.



#### 6. Ceramic toilet installation

- Install the sealing flange into drain outlet. Install the toilet by carefully lowering it into position over the drain.

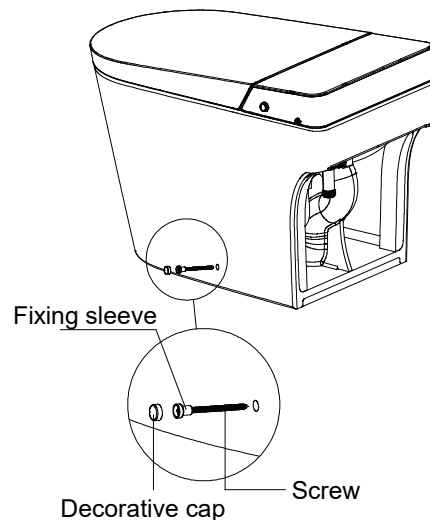


Note:

1. Two people are required to carry the toilet.
2. Clean the drain outlet before installing the seal.
3. Please make sure ceramic toilet outlet is perfectly centered on drain outlet.

#### 7. Screw installation

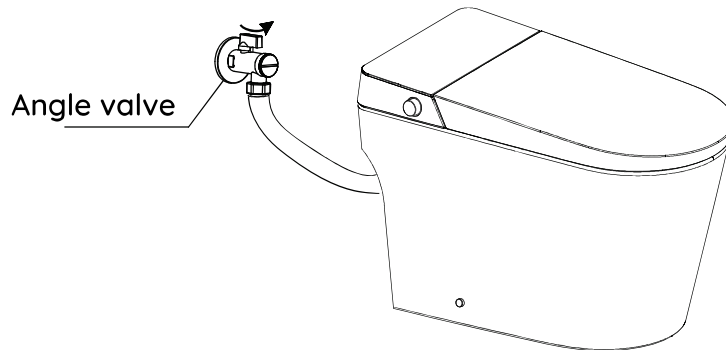
- Insert the screws through the fixing sleeves and then install them through the holes on both sides of the toilet. They secure to the mounting brackets installed on the flange plate. Lock tight.
- Install the decorative cap on the fixing sleeve.



# Preparation

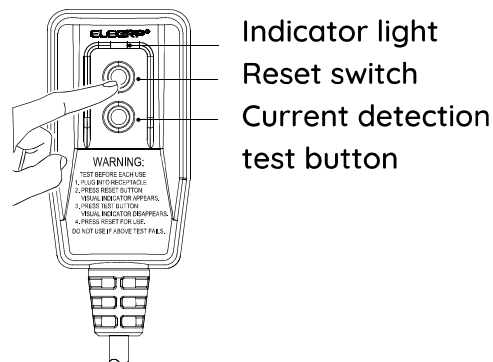
## 1. Turn on the angle valve slowly

Check the threaded connections at each end of the supply hose for leaks. If leaks are found, shut off water, and re-connect the hose ensuring the o-rings are in place. Add teflon tape if needed. Once leak-free, open the angle valve completely.



## 2. Power connection

- Plug the electrical cord into a GFCI 3 prong outlet. Press the reset switch button to activate. The indicator light should turn on, indicating that the power is on.

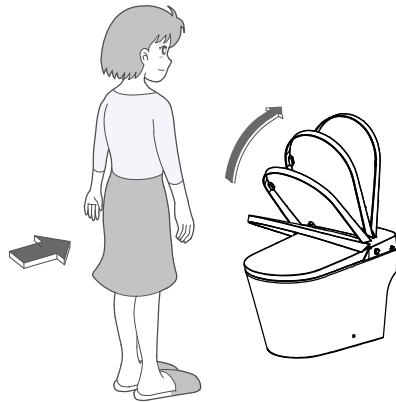


## 3. Self-inspection startup sequence

1. Once power is connected, the seat should beep. The side knob light will turn on, and the self-inspection startup sequence will start.
2. When the seat beeps again, the startup sequence is complete.
3. The UXT Pearl is now ready to use!

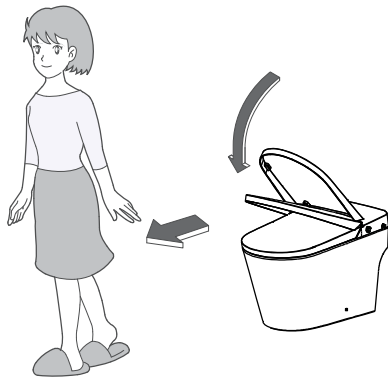
# Automatic lid open/close

\* The Alpha UXT Pearl is equipped with a proximity sensor that can raise and lower the lid automatically. If this function is disabled, press and hold the OPEN/CLOSE LID button on the remote control for 5 seconds to enable it.



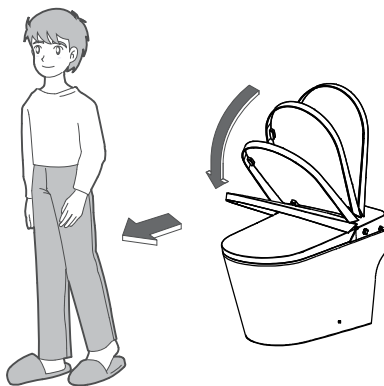
## 1. Approaching the toilet

When you approach the toilet and come within range of the proximity sensor (roughly 1 foot), the lid will automatically open.



## 2. Leaving the toilet

The lid will automatically close about 3 minutes after you leave the toilet area.



## Notes

- The automatic function will close both the seat and lid if the seat is up.
- While the motorized seat and/or lid are in operation please do not force the seat or lid in the opposite direction. Doing so will reduce the life of the motor.

# Seat sensor

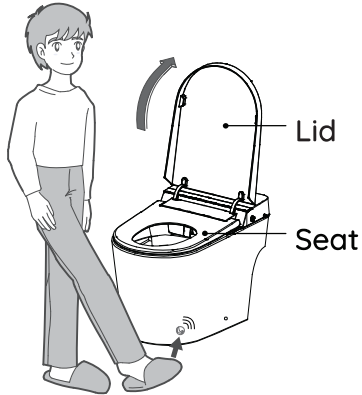
- The seat's wash and dry functions will not operate unless someone is seated. The seat has a skin sensor (not weight) near the 4 o'clock area of the seat. For testing purposes, you can place a wet paper towel over this area of the seat to engage the sensor.

- When you first sit down, you may hear a click sound and some water dripping into the bowl. This is the nozzle initializing and preparing for use.

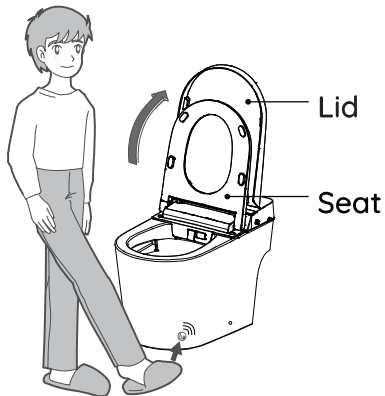
# Foot sensor

\* The Alpha UXT Pearl is equipped with a foot sensor that can perform a few functions. Trigger the sensor by touching the sensor area with your foot. This sensor is enabled by default. On the remote control, press and hold the STOP button and then press the FLUSH button to disable it.

1. When the lid and seat are both closed, touch the foot sensor to open the lid.



2. When the lid is open and seat closed, touch the foot sensor to open the seat.



3. When the seat and lid are both open, touch the foot sensor to close both the seat and lid and activate a flush.

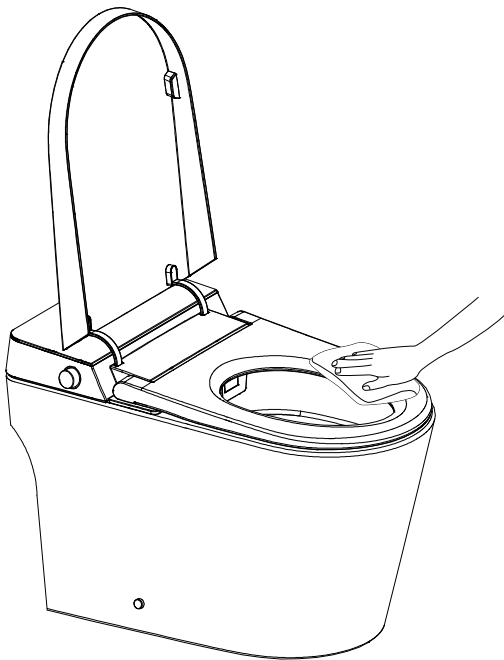


# Maintenance

## Cleaning the main unit

1. Unplug the power cord before doing any cleaning or maintenance.
2. To clean the seat, lid, back housing, and other plastic components, only use a soft damp towel to wipe clean. Warm water, mild soap and/or vinegar are ok to use.

**AVOID:** harsh chemicals like bleach, ammonia, and alcohol based cleaners. These include most “natural” cleaners on the market. These chemicals will slowly erode and discolor plastic surfaces.



3. Only the ceramic toilet portion can be safely cleaned with traditional chemical bathroom cleaners and disinfectants.
4. Once cleaning is completed and all surfaces are dry, re-connect the power plug.

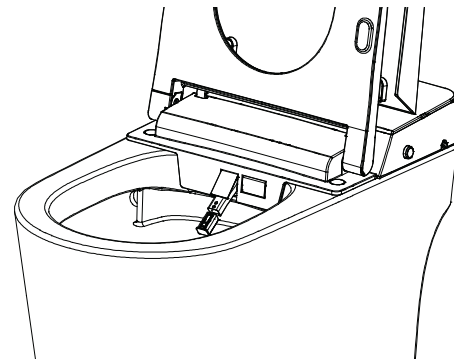
## Spray nozzle maintenance and care

### 1. Nozzle cleaning

- When no one is seated, turn the knob clockwise to bring the nozzle out for manual cleaning.

### 2. Spray nozzle disassembly

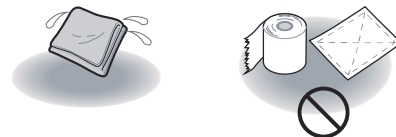
- When the nozzle is extended, the tip can be removed and cleaned separately.



- Reach underneath the nozzle and gently pull only the tip downwards to separate it from the main nozzle assembly.

### 3. Use soft brush to clean the tip

- Do not pull or push the main nozzle assembly to avoid damage.



### 4. Nozzle retraction

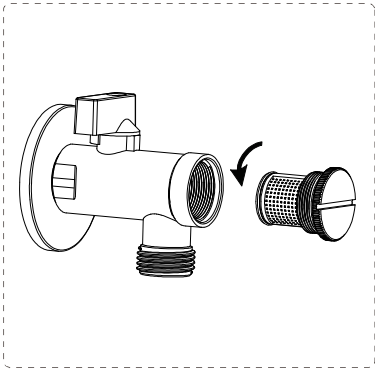
- Insert the nozzle tip back into the main assembly and press the knob in to retract the nozzle back in place.

# Maintenance and troubleshooting

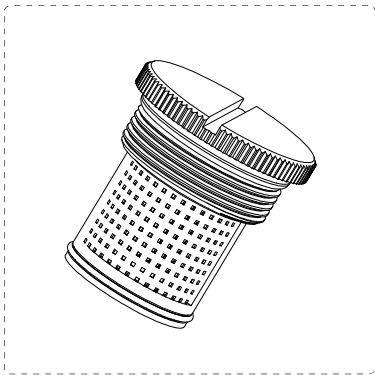
## Filter maintenance

If you begin to notice reduced spray performance and are using the supplied angle valve, try cleaning the filter:

1. Unplug the power cord and shut off the angle valve.
2. Unscrew the angle valve nut.



3. Remove filter net.

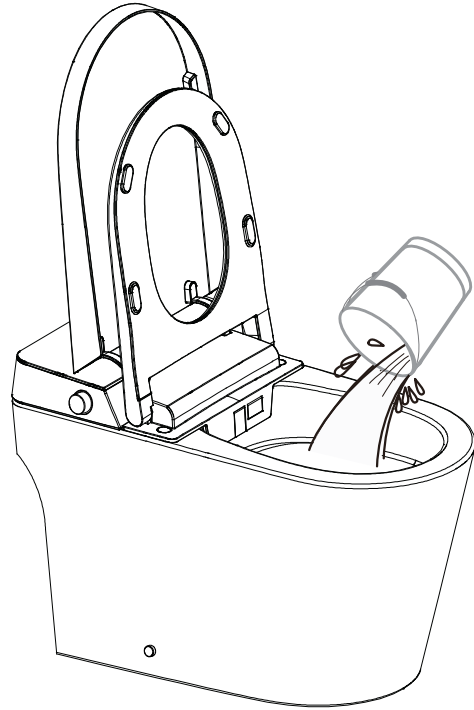


4. Clean out the filter net under running water using a toothbrush.
5. Reinstall filter net and angle valve nut.
6. Turn on the angle valve and connect the power cord.

## Manually flushing the toilet

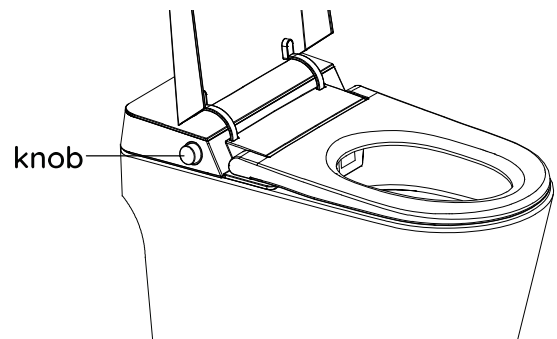
- Put around 2.1Gal (8L) water into a container and dump it into the ceramic bowl to manually flush the toilet.

Note: Avoid water spilling from bowl.



## No power flushing

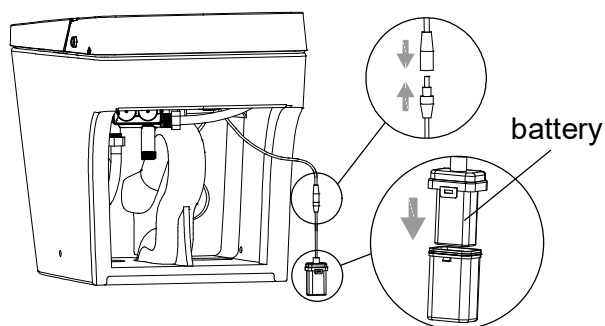
- If your home loses power and you have the battery backup pack installed you can flush the toilet by pressing in the side control knob.





## Backup battery replacement

1. Unplug DC connector and remove the battery box.
2. Install a new 9V battery.
3. Reconnect the battery box.



### Reminder:

1. It is recommended to use high quality 6LR61 9V battery.
2. It is recommended to replace the battery every two years, regardless of use.

## Failure of remote control

1. Operate via knob on the main unit.
2. Battery replacement
  - Remove the remote control from holder.
  - Open the battery cover and replace the batteries.
  - Put the remote control back.

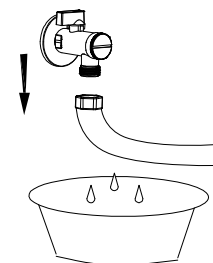
Note: After battery replacement, the remote control settings will be reset to the defaults. User presets will need to be re-saved.

## Toilet will be left unused for > 3 weeks

- When the product is left unused for a long time, especially in cold weather, it is highly recommended to drain the water to prevent freezing.

## To discharge water

1. Activate flushing, and then turn off the angle valve to stop water supply.
2. Unplug the power cord
3. Disconnect the hose from angle valve, drain the water and reconnect.

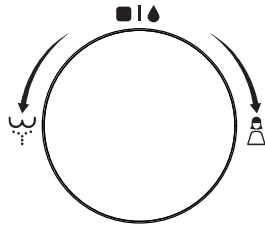


**\* Please turn on power and water supply when using again.**



Note: Be sure to unplug the power cord before disconnecting the supply hose.

# Side control knob functions



## When Nobody is Seated

- Press the knob in to flush the toilet
- Turn the knob clockwise to bring the nozzle out for manual cleaning
- Press the knob in and hold for 3 seconds to turn off the LED ring light. Repeat to turn it back on.
- Press the knob in and hold for 6 seconds to turn the toilet off. Repeat to turn it back on.

## When Seated, but Idle

- Press the knob in to flush the toilet
- Turn the knob clockwise to start a FRONT wash or counterclockwise to start a REAR wash.


## During an Active Wash Cycle

- Press the knob in to STOP the active function
- Turn the knob clockwise to move the nozzle position forward or counterclockwise to move the nozzle position backward.
- By default, turning the knob during an active wash cycle will change the nozzle position. Press and hold the knob in for 3 seconds during a wash to switch to spray pressure adjustment mode. Press and hold the knob in for 3 seconds again to switch back to nozzle position adjustment mode.

## During an Active Drying Cycle

- Press the knob in to STOP the active function
- Turn the knob clockwise to increase the drying temperature or counterclockwise to decrease the drying temperature.

# Troubleshooting guide

Problem	Cause	Solution
No water spraying from nozzle	Water supply hose is kinked	Straighten the hose to remove the kink
	Angle valve is off	Turn on the angle valve
	Seat sensor not triggered	Sit fully on the seat with skin contact
Poor water spraying	Water supply hose is kinked	Straighten the hose to remove the kink
	Angle valve is not fully turned on	Turn on the angle valve fully
	Filter is clogged	Clean the filter
Low water temperature	The water temperature is not set properly	Adjust the water temperature
Low seat temperature	The seat temperature is not set properly	Adjust the seat temperature
	Eco mode is active	Turn off eco mode if you wish the seat temperature to remain consistent
Low dryer temperature	The dryer temperature is not set properly	Adjust the dryer temperature
Dryer not blowing	Seat sensor not triggered	Sit fully on the seat with skin contact
Spray wand cannot retract	Power supply off	Push back the spray wand gently and test the power outlet
	Nozzle is too dirty	Clean the nozzle with a soft brush
Spray wand cannot extend	Power supply off	Test the power outlet
	Seat sensor not triggered	Sit fully on the seat with skin contact
Remote control not working	Batteries are inserted in the direction	Reload the batteries correctly
	Low battery	Replace the batteries
Deodorizer not working	Seat sensor not triggered	Sit fully on the seat with skin contact
	Deodorization function continues after user leaves.	It is normal for the deodorizing function to continue operating after user leaves, for complete odor removal.
Flush doesn't work during power failure	No or low battery in backup pack	Replace new 9V battery in backup pack for power failure flushing.
 Caution	If the problem cannot be resolved as per above solutions, please disconnect the power and contact us at <a href="mailto:support@alphabidet.com">support@alphabidet.com</a>	



Email: [support@alphabidet.com](mailto:support@alphabidet.com)